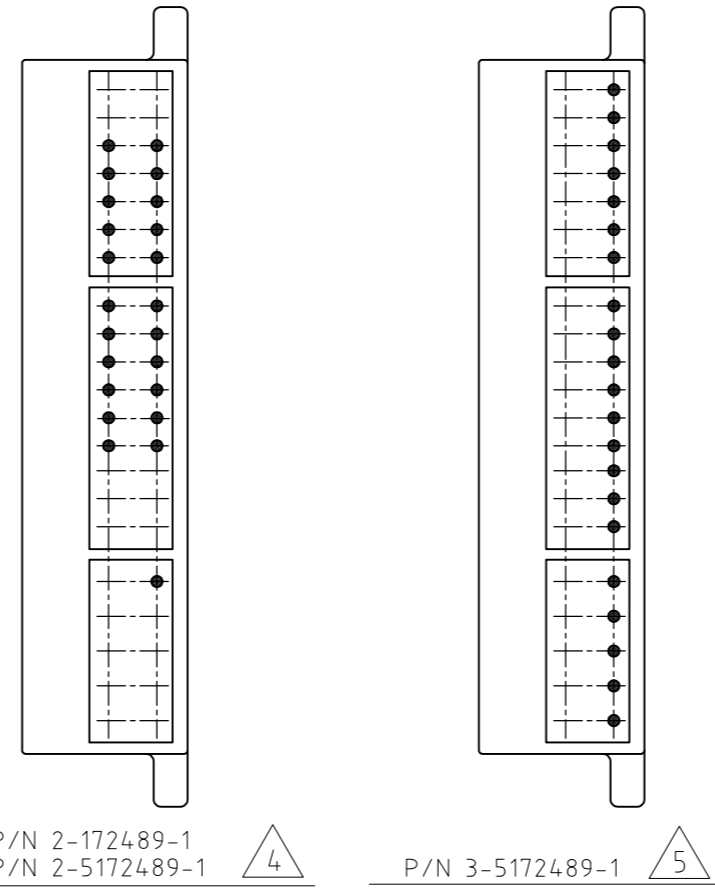
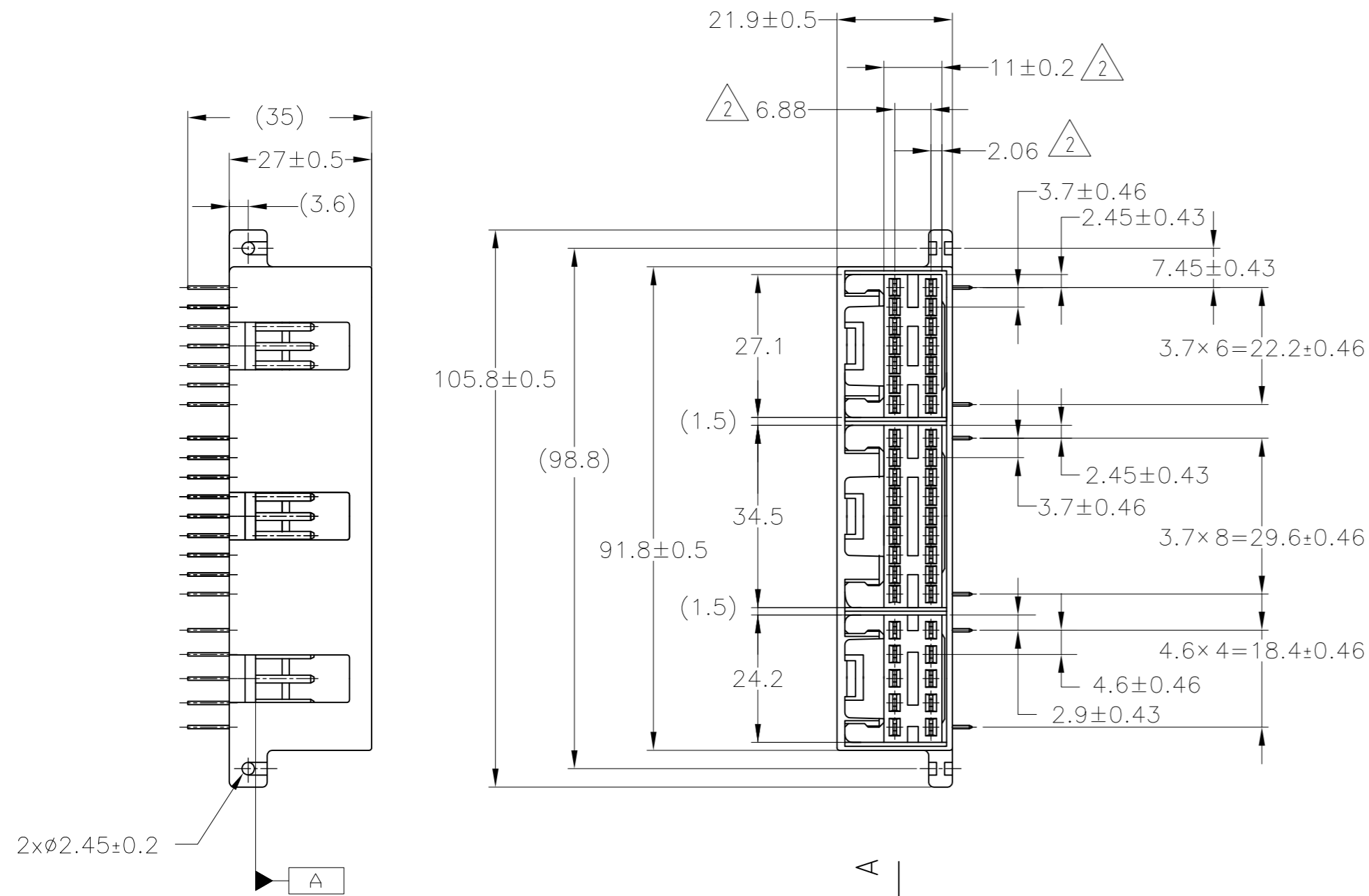
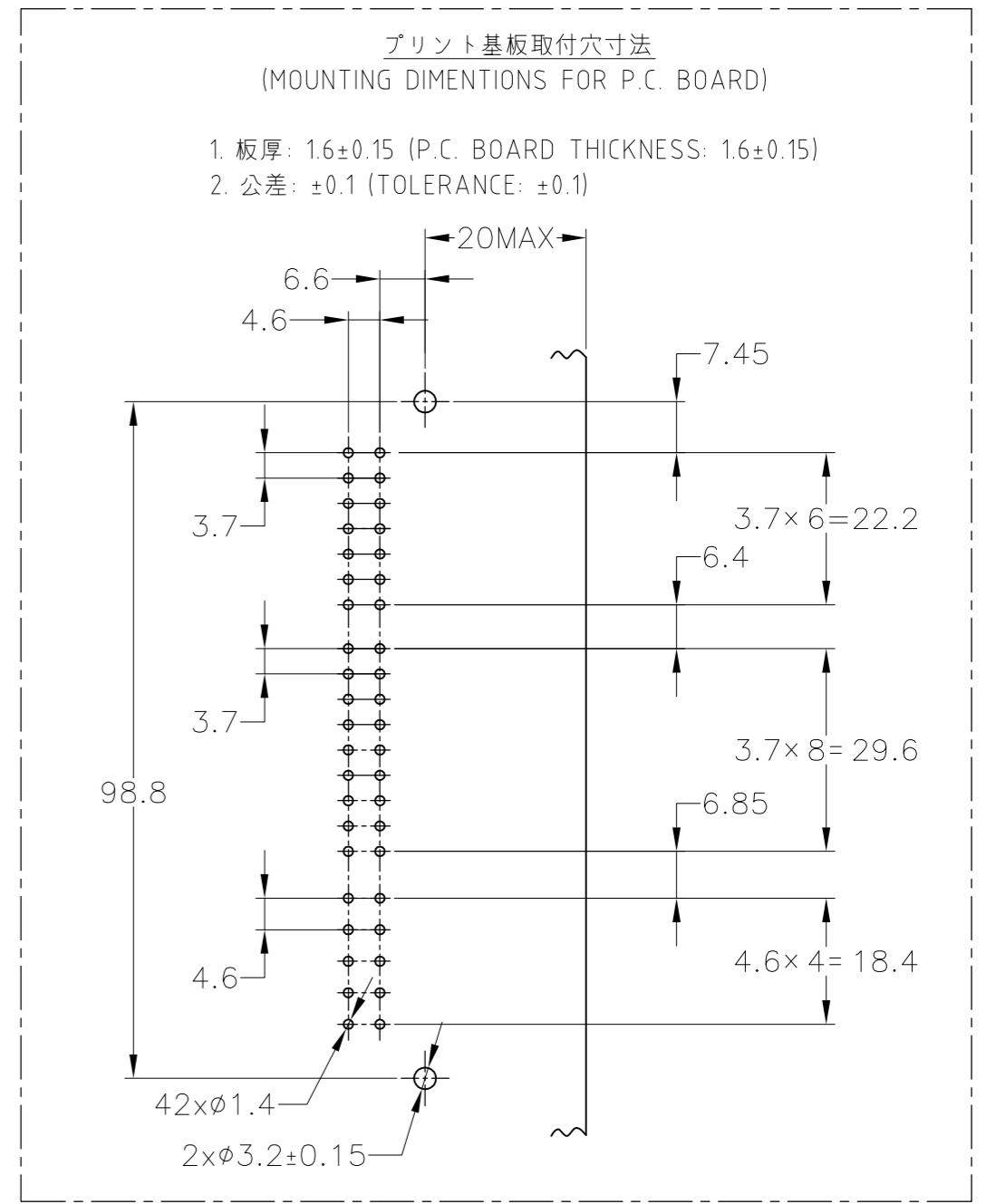
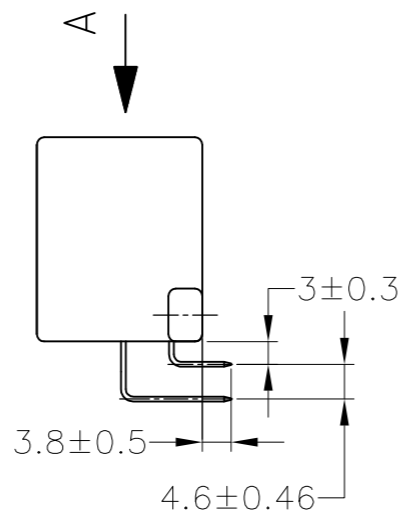


REVISIONS					
P	LTR	DESCRIPTION	DATE	DWN	APVD
D4		OBsolete 3--1 ECR-16-003021	16AUG16	KF	HY



VIEW FROM "A" DIRECTION  
 (LAYOUT OF GOLD PL CONTACT)  
 (A矢印方向から見た金めっきコンタクト配置図)  
 ● GOLD PL CONTACT



プリント基板取付穴寸法  
 (MOUNTING DIMENTIONS FOR P.C. BOARD)  
 1. 板厚: 1.6±0.15 (P.C. BOARD THICKNESS: 1.6±0.15)  
 2. 公差: ±0.1 (TOLERANCE: ±0.1)

- THE MATING COUNTERPART P/N:  
 10POSITION:172315  
 14POSITION:172354  
 18POSITION:172316
- TO BE MEASURED WITHIN 2mm FROM [A]
- SOLDERING AFTER MOUNTING P.C.BOARD, SECURE BY USING M3,  
 PAN HEAD TAPPING SCREW PER JIS B1115 (CLASS 1).

- 嵌合する相手ハウジング型番:  
 10極:172315  
 14極:172354  
 18極:172316
- [A] 面より2mmの範囲で測定のこと
- プリント基板への取付はM3のタッピンネジ(JIS B1115 1種)で締付けた後、  
 はんだ付けをする

SELECTIVE TIN (MATTE)	SELECTIVE GOLD × 23	PBT G.F.	NATURAL 自然色	4	2-5172489-1
PRE-TIN × 19					
SELECTIVE TIN (MATTE)	SELECTIVE GOLD × 21	PBT G.F.	NATURAL 自然色	5	3-5172489-1
PRE-TIN × 21					
SELECTIVE TIN (MATTE)	SELECTIVE GOLD × 42	PBT G.F.	YELLOW 黄色		1-5172489-7
SELECTIVE TIN (MATTE)	SELECTIVE GOLD × 42	PBT G.F.	GRAY 灰色		1-5172489-6
TIN-LEAD	SELECTIVE GOLD × 21	PBT G.F.	NATURAL 自然色	5	3-172489-1
TIN-LEAD	SELECTIVE GOLD × 23	PBT G.F.	NATURAL 自然色	4	2-172489-1
PRE-TIN × 19					
TIN-LEAD	SELECTIVE GOLD × 42	PBT G.F.	YELLOW 黄色		1-172489-7
TIN-LEAD	SELECTIVE GOLD × 42	PBT G.F.	GRAY 灰色		1-172489-6
PRE-TIN × 42		PBT G.F.	YELLOW 黄色		172489-7
PRE-TIN × 42		PBT G.F.	GRAY 灰色		172489-6
SOLDERING SIDE 半田付け部	CONTACT SIDE 接触部	MATERIAL 材料	COLOR 色	PART NUMBER 製品型番	
CONTACT FINISH コンタクト仕上					

TOLERANCES UNLESS OTHERWISE SPECIFIED: 一般公差
10± : ±0.2
30± > 10 : ±0.25
100± > 30 : ±0.3
ANGLE : 3°

DIMENSIONS: 単位: 寸 mm		TOLERANCES UNLESS OTHERWISE SPECIFIED: 一般公差	
0 PLC	±	0 PLC	±
1 PLC	±	1 PLC	±
2 PLC	±	2 PLC	±
3 PLC	±	3 PLC	±
4 PLC	±	4 PLC	±
ANGLES	±	ANGLES	±

THIS DRAWING IS A CONTROLLED DOCUMENT.		DWN	17JUL08	TE Connectivity	
		S.FUJITA			
		CHK	22JUL08		
		T.SHINOHARA			
		APVD	22JUL08		
		K.BETSUI			
		PRODUCT SPEC			
		製品規格			
		APPLICATION SPEC			
		取付適用規格			
		FINISH			
		仕上			
		WEIGHT	34.4 g		
		CUSTOMER DRAWING			
		SIZE	A2		
		CAGE CODE	00779		
		DRAWING NO	C=172489		
		RESTRICTED TO			
		SCALE	1:1		
		SHEET	1 of 1		
		REV	D4		