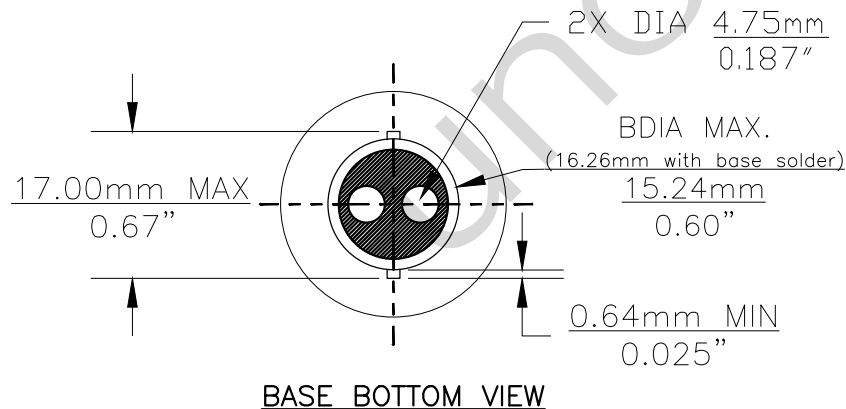
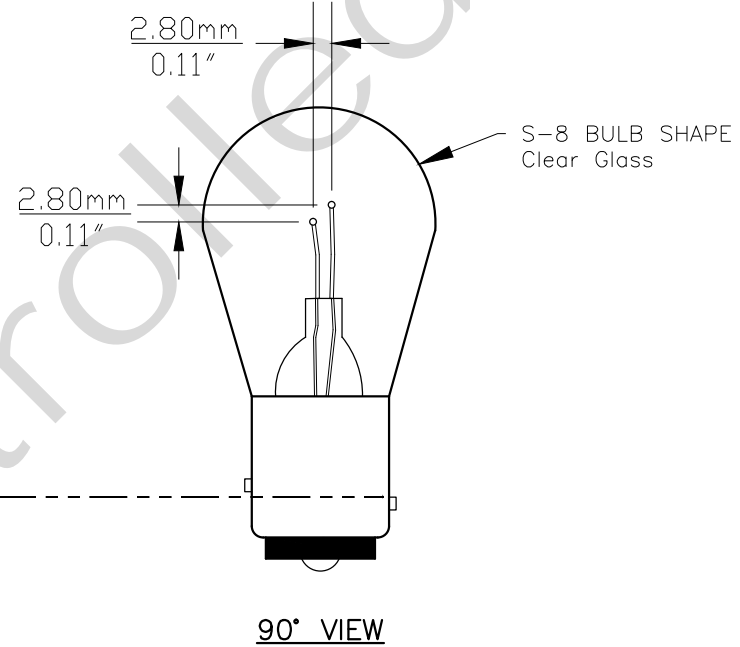
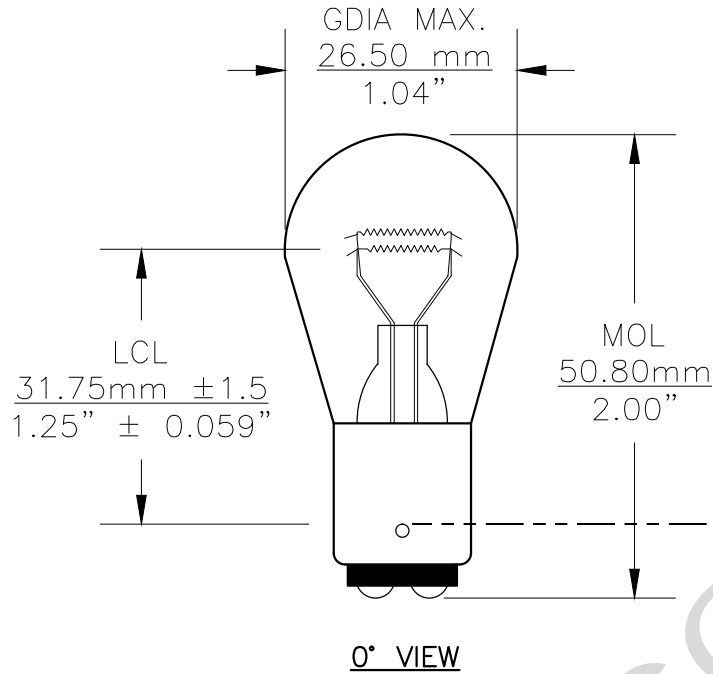




PART NO.	BASE TYPE	DESIGN VOLTS	DESIGN AMPS	MSCD	FILAMENT TYPE	AVERAGE LIFE HOURS	REVISIONS			
							REV #	DESCRIPTION	DATE	APPROVED
2057	D.C. INDEX BAY15d	12.8V 14V	2.1±5% 0.48±8%	32±10% 2±12%	C-6 C-6	1200 5000	1	ISSUED	06/03/2013	D.C.



Note: Made according to SAE specifications

UNLESS OTHERWISE SPECIFIED: DIMENSIONS ARE IN INCHES TOLERANCES		CEC INDUSTRIES LTD			
DECIMALS	ANGULAR	599 BOND STREET		LINCOLNSHIRE, IL 60069	
.XX ± .05	± 0.5°	TITLE LIGHT BULB NO. 2057			
.XXX ± .010		SIZE A	FSCM NO.	DWG NO. 2057	REV 1
FRACTIONAL	±1/64	DESIGN	SCALE	PLOT SCALE	SHEET 1 OF 1
DRAWN DENNIS CLARK DATE 01/23/2001		MATERIAL		FILE 2057.pdf	DRAWING NOT TO SCALE