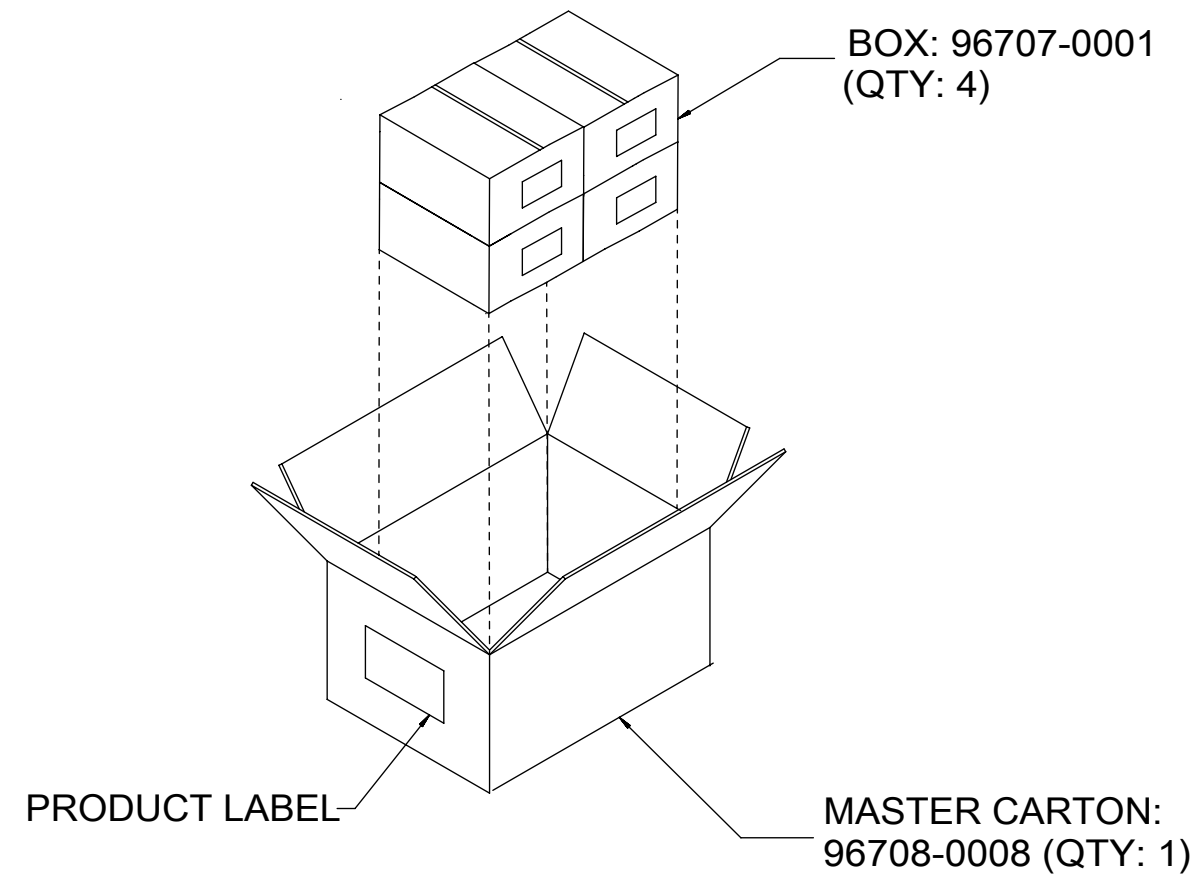
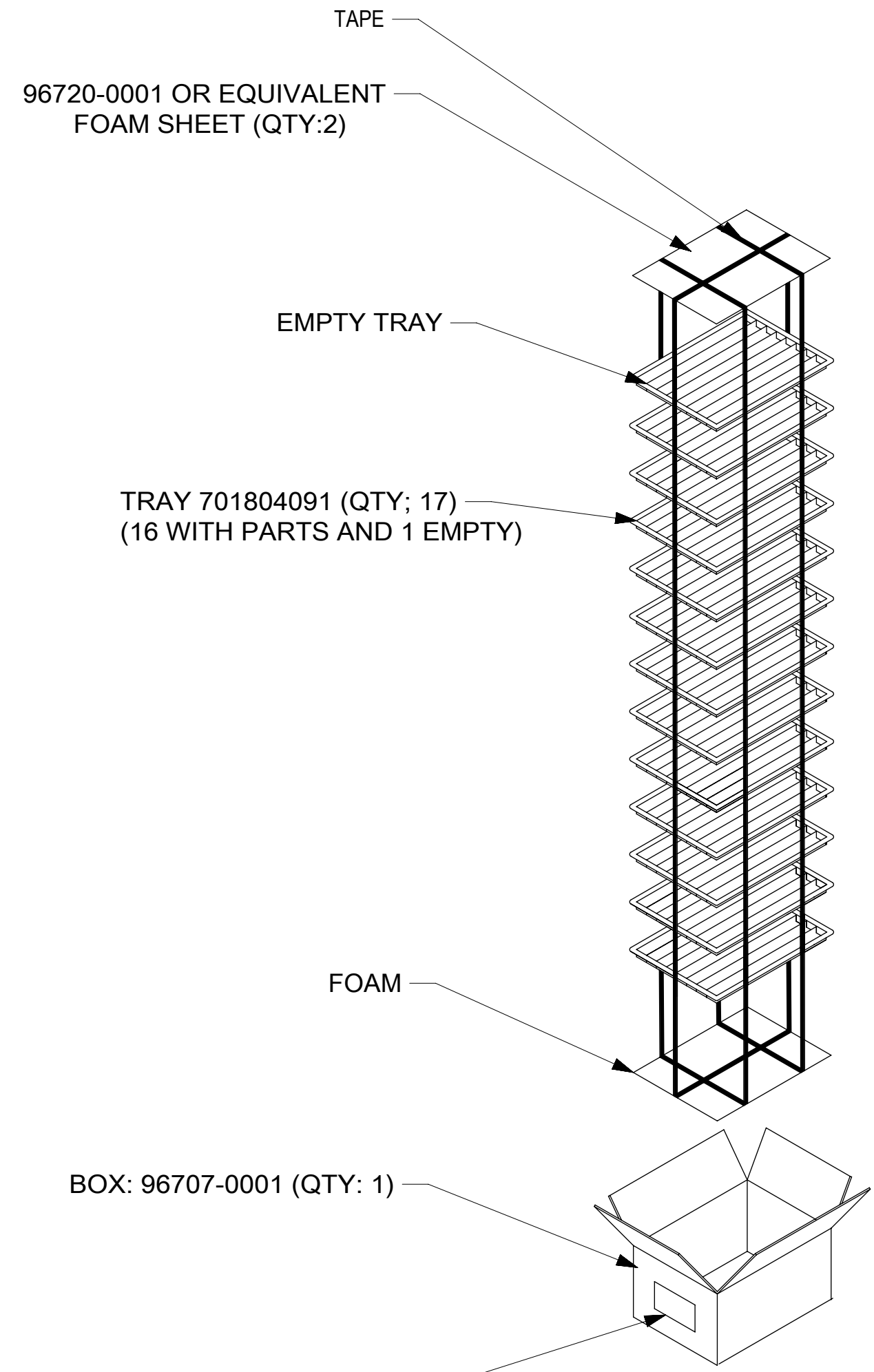
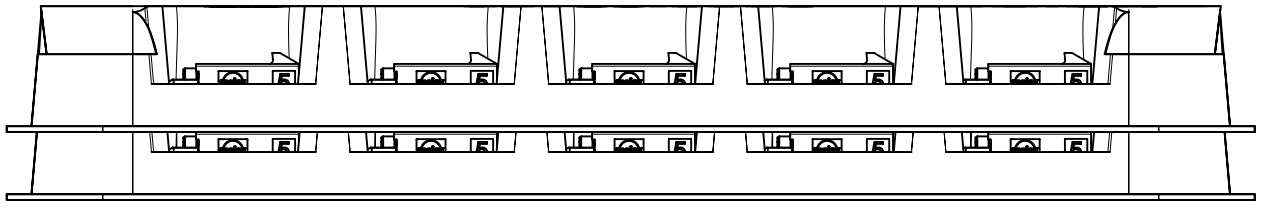
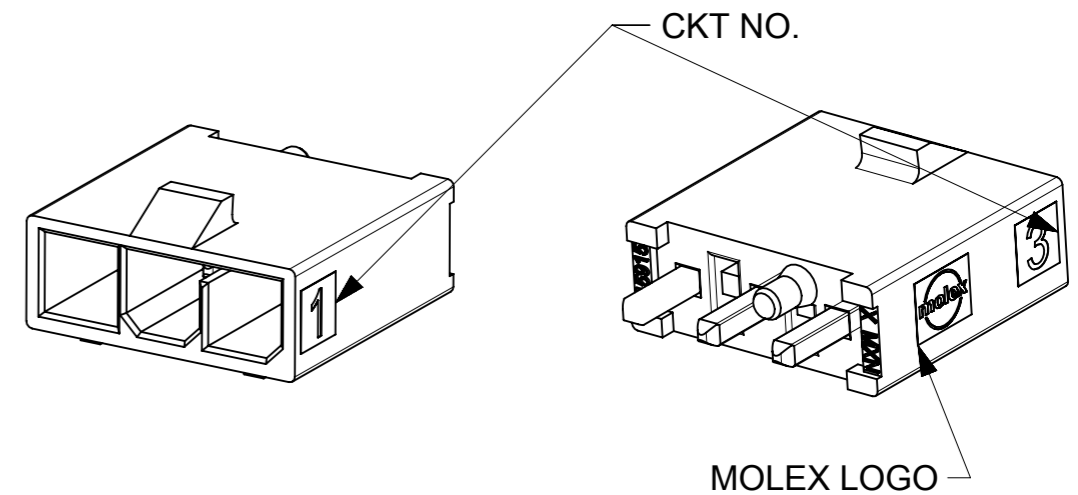
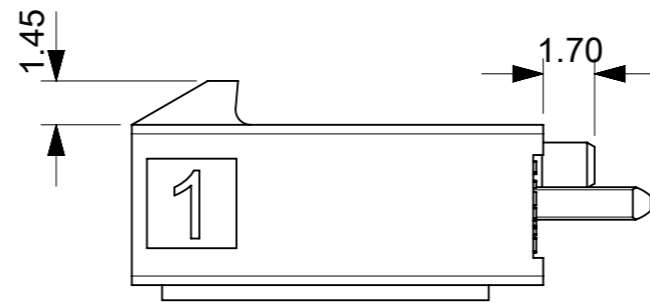
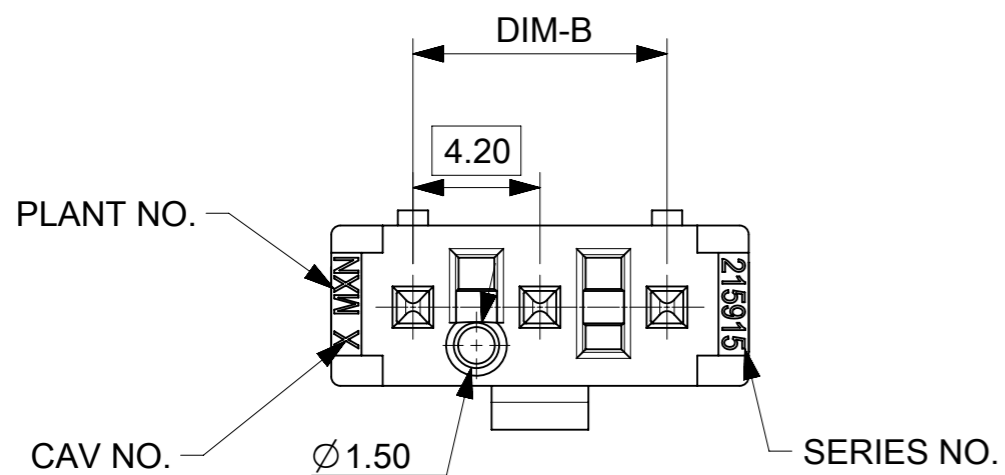
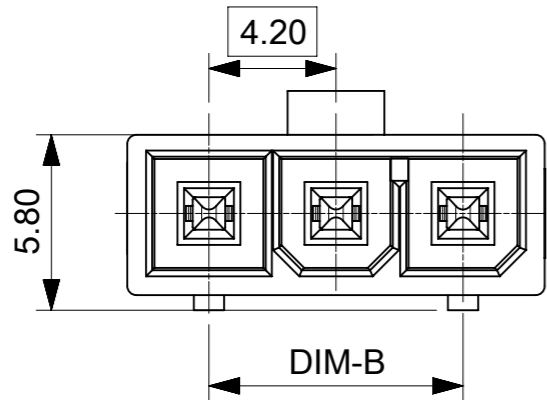
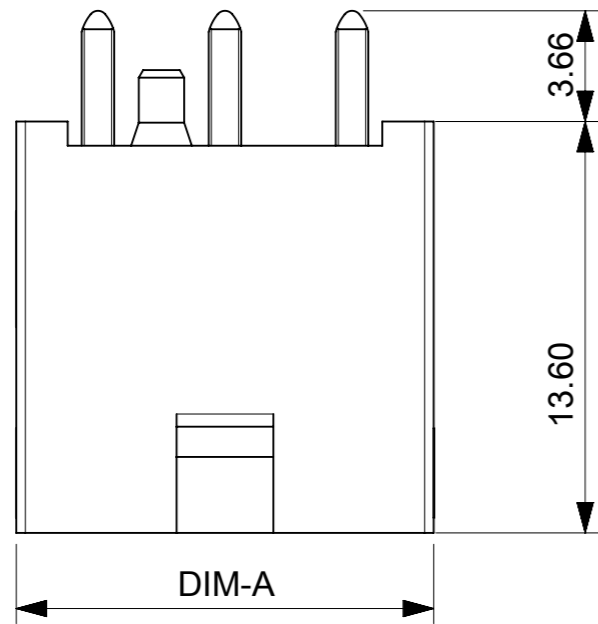


| NO. OF CKTS | PARTS PER TRAY | PARTS PER BOX | STD. PACK QUANTITY PER MASTER CARTON |
|-------------|----------------|---------------|--------------------------------------|
| 2           | 160            | 2720          | 10880                                |
| 3           | 115            | 1955          | 7820                                 |
| 4           | 85             | 1445          | 5780                                 |
| 5           | 70             | 1190          | 4760                                 |
| 6           | 60             | 1020          | 4080                                 |



|  |   |        |       |                        |   |         |      |                           |                   |                 |  |                |          |              |
|--|---|--------|-------|------------------------|---|---------|------|---------------------------|-------------------|-----------------|--|----------------|----------|--------------|
| <b>FUNCTIONAL SYMBOLS</b><br>$\nabla_A = 0$<br>$\nabla_C = 0$<br>$\nabla_P = 0$<br><b>DIVISIONAL SYMBOLS</b> | THIS DRAWING CONTAINS INFORMATION THAT IS PROPRIETARY TO MOLEX ELECTRONIC TECHNOLOGIES, LLC AND SHOULD NOT BE USED WITHOUT WRITTEN PERMISSION |        |       |                        |   |         |      |                           |                   |                 |  |                |          |              |
|  | DIMENSION UNITS   |        | SCALE |                        | CURRENT REV DESC:   |         |      |                           |                   |                 | <br>MINI FIT MAX SR PK<br>MINI-FIT JR VERT HDR 46207 SERIES IN LCP |                |          |              |
|  | INCH  |        | NTS   |                        | EC NO: 675586<br>DRWN: ZIXUAQ 2021/08/20<br>CHK'D: YXZHENG 2021/08/30<br>APPR: YXZHENG 2021/08/30 |         |      |                           |                   |                 |  |                |          |              |
|  | GENERAL TOLERANCES (UNLESS SPECIFIED)   |        |       |                        | MM  |         | INCH |                           | INITIAL REVISION: |                 | DOCUMENT NUMBER  |                | DOC TYPE | DOC PART     |
| 4 PLACES   |   | ±      |       | ±                      |   | ±       |      | DRWN: DRAWN BY 0099/99/99 |                   | 2159150000-PK   |  | PSD            | 000      | A            |
| 3 PLACES   |   | ±      |       | ±                      |   | ±       |      | APPR: APPR BY 0099/99/99  |                   | SEE TABLE       |  | GENERAL MARKET |          | SHEET NUMBER |
| 2 PLACES   |   | ± 0.25 |       | ±                      |   | ±       |      | THIRD ANGLE PROJECTION    |                   | MATERIAL NUMBER |  | CUSTOMER       |          | 1 OF 1       |
| 1 PLACE  |   | ± 0.35 |       | ±                      |   | ±       |      | DRAWING                   |                   | SERIES          |  |                |          |              |
| 0 PLACES   |   | ±      |       | ±                      |   | ±       |      | C-SIZE                    |                   | 215915          |  |                |          |              |
| DRAFT WHERE APPLICABLE MUST REMAIN WITHIN DIMENSIONS   |   |        |       | THIRD ANGLE PROJECTION |   | DRAWING |      | SERIES                    |                   | MATERIAL NUMBER |  | CUSTOMER       |          | SHEET NUMBER |

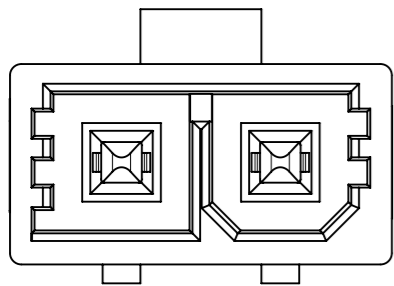
|                 |    |              |            |          |
|-----------------|----|--------------|------------|----------|
| DOCUMENT STATUS | P1 | RELEASE DATE | 2021/08/30 | 01:38:07 |
|-----------------|----|--------------|------------|----------|



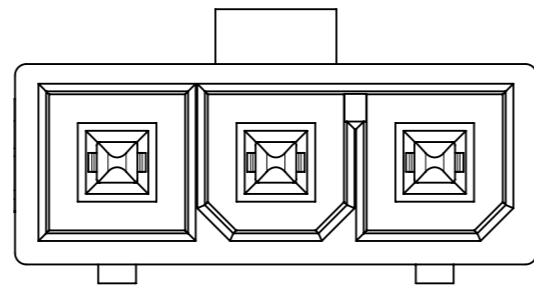
NOTES:

1. MATERIAL:  
HOUSING: LCP, UL94V-0, BLACK;  
TERMINAL: COPPER.
2. TERMINAL PLATING:  
TIN OVER NICKEL OVERALL.
3. PRODUCT SPECIFICATION 2125150000-PS.
4. PARTS TO BE PACKAGED PER 2159150000-PK.
5. PART MATES WITH MOLEX PART NUMBER 212514 SERIES.
6. DISCOLORIZATION IN THE BANDOLIER CARRIER AREA OF THE PIN IS INHERENT TO THE PLATING PROCESS AND IS DUE TO THE MASKING EFFECT OF THE CARRIER. THIS DISCOLORIZATION IS A NON-FUNCTIONAL AREA OF THE PIN AND WILL NOT AFFECT THE PERFORMANCE OF THE HEADER ASSEMBLY.
7. CONNECTORS ARE NOT TO BE MATED OR UNMATED WHILE CIRCUITS ARE LIVE.
8. PARTS ARE NOT DESIGNED FOR CURRENT SHARING.
9. PARTS CONFORM TO CLASS "B" REQUIREMENTS OF COSMETIC SPECIFICATION PS-45499-002.
10. TEXT ON PART IS FOR REFERENCE ONLY. TEXT AND TEXT LOCATION MAY VARY DEPENDING ON PART NUMBER AND/OR TOOL.

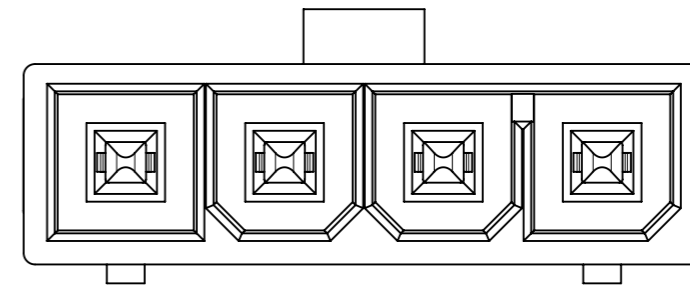
|  |   |                        |                   |            |                          |                  |                 |          |          |          |
|--|---|------------------------|-------------------|------------|--------------------------|------------------|-----------------|----------|----------|----------|
| FUNCTIONAL SYMBOLS                                   | THIS DRAWING CONTAINS INFORMATION THAT IS PROPRIETARY TO MOLEX ELECTRONIC TECHNOLOGIES, LLC AND SHOULD NOT BE USED WITHOUT WRITTEN PERMISSION |                        | CURRENT REV DESC: |            | <b>molex</b>             |                  |                 |          |          |          |
|  | △/A = 0   | mm                     | SCALE 4:1         |            |                          |                  |                 |          |          |          |
| △/E = 0  | GENERAL TOLERANCES (UNLESS SPECIFIED)   |                        |                   |            | MINI-FIT MAX SR HDR VERT |                  |                 |          |          |          |
| △/V = 0  | ANGULAR TOL ± 0.5°  |                        |                   |            |                          |                  |                 |          |          |          |
| DIVISIONAL SYMBOLS                                   | 4 PLACES  | ±                      | EC NO: 715655     | 2022/07/27 | PRODUCT CUSTOMER DRAWING |                  |                 |          |          |          |
|  | 3 PLACES  | ±                      | DRWN: ZIXUAQ      | 2022/08/03 |                          |                  |                 |          |          |          |
|  | 2 PLACES  | ±                      | CHK'D: XQZHANG    | 2022/08/03 |                          |                  |                 |          |          |          |
|  | 1 PLACE   | ±                      | APPR: XQZHANG     |            |                          |                  |                 |          |          |          |
|  | 0 PLACES  | ±                      | INITIAL REVISION: |            |                          |                  |                 |          |          |          |
| DRAFT WHERE APPLICABLE MUST REMAIN WITHIN DIMENSIONS |   | THIRD ANGLE PROJECTION | DRAWING           | SERIES     | MATERIAL NUMBER          | CUSTOMER         | DOCUMENT NUMBER | DOC TYPE | DOC PART | REVISION |
|  |   |                        | A3-SIZE           | 215915     | SEE TABLE                | GENERAL CUSTOMER | 2159150000-SD   | PSD      | 000      | A2       |
| DOCUMENT STATUS                                      |   | P1                     | RELEASE DATE      | 2022/08/03 | 01:36:18                 |                  |                 |          |          |          |



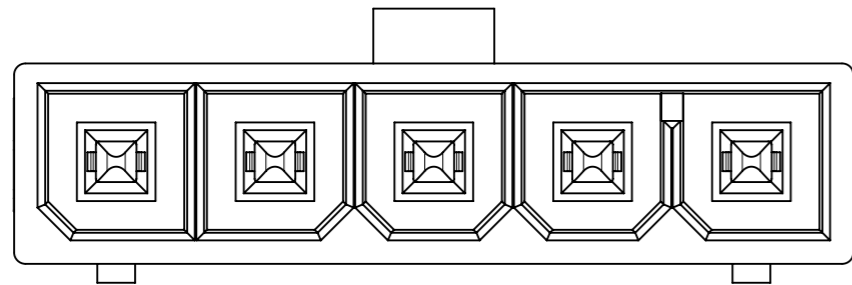
2CKT



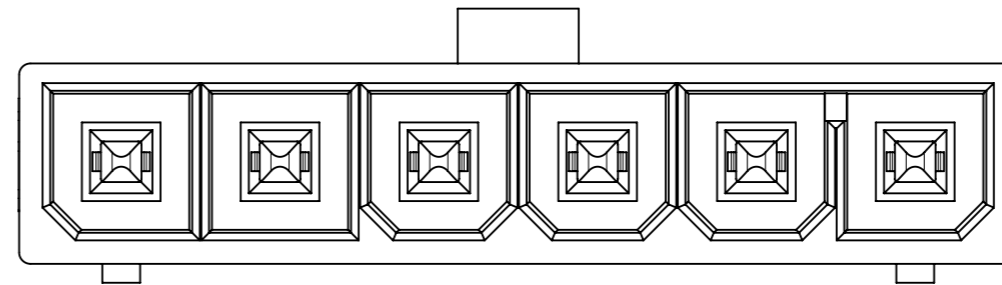
3CKT



4CKT

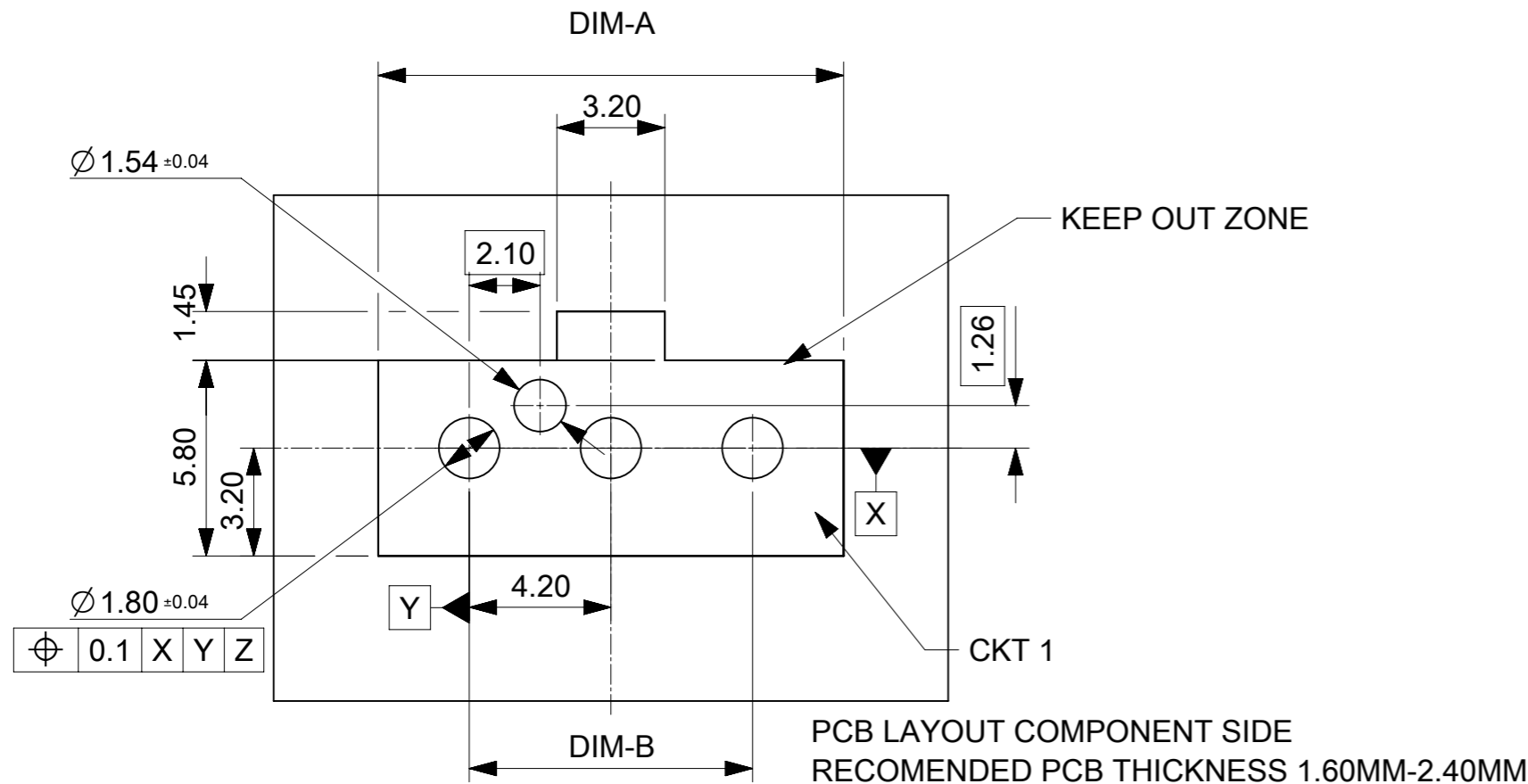


5CKT



6CKT

| CKT SIZE | ASSEMBLY HEADER |         |       | DIM-A | DIM-B |
|----------|-----------------|---------|-------|-------|-------|
|          | PART NUMBER     | PLATING | COLOR |       |       |
| 2        | 215915-1002     | TIN     | BLACK | 10.10 | 4.20  |
| 3        | 215915-1003     |         |       | 13.80 | 8.40  |
| 4        | 215915-1004     |         |       | 18.00 | 12.60 |
| 5        | 215915-1005     |         |       | 22.20 | 16.80 |
| 6        | 215915-1006     |         |       | 26.40 | 21.00 |



|  |   |                                   |  |                |  |  |
|--|---|-----------------------------------|--|----------------|--|--|
| FUNCTIONAL SYMBOLS                                   | THIS DRAWING CONTAINS INFORMATION THAT IS PROPRIETARY TO MOLEX ELECTRONIC TECHNOLOGIES, LLC AND SHOULD NOT BE USED WITHOUT WRITTEN PERMISSION |                                   | CURRENT REV DESC:  |                |  |  |
|  | $\nabla_A = 0$<br>$\nabla_E = 0$<br>$\nabla_V = 0$  | DIMENSION UNITS: mm<br>SCALE: 5:1 | EC NO: 715655<br>DRWN: ZIXUAQ<br>CHK'D: XQZHANG<br>APPR: XQZHANG |                |  |  |
| DIVISIONAL SYMBOLS                                   | GENERAL TOLERANCES (UNLESS SPECIFIED)   |                                   | INITIAL REVISION:  |                | DOCUMENT NUMBER: 2159150000-SD<br>DOC TYPE: PSD<br>DOC PART: 000<br>REVISION: A2 |  |
|  | ANGULAR TOL ± 0.5°<br>4 PLACES ±<br>3 PLACES ±<br>2 PLACES ± 0.25<br>1 PLACE ± 0.5<br>0 PLACES ±  |                                   | DRWN: ZIXUAQ<br>APPR: YXZHENG                                    |                | MATERIAL NUMBER: SEE TABLE<br>CUSTOMER: GENERAL CUSTOMER<br>SHEET NUMBER: 2 OF 2 |  |
| DRAFT WHERE APPLICABLE MUST REMAIN WITHIN DIMENSIONS |   | THIRD ANGLE PROJECTION            | DRAWING: A3-SIZE   | SERIES: 215915 |  |  |