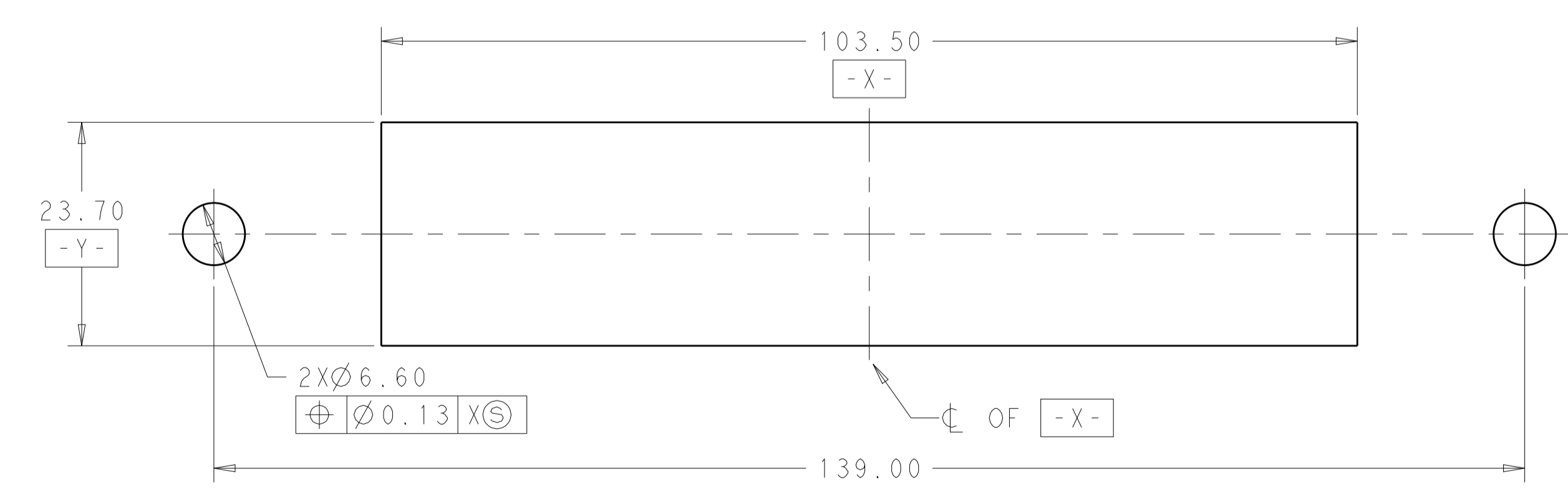
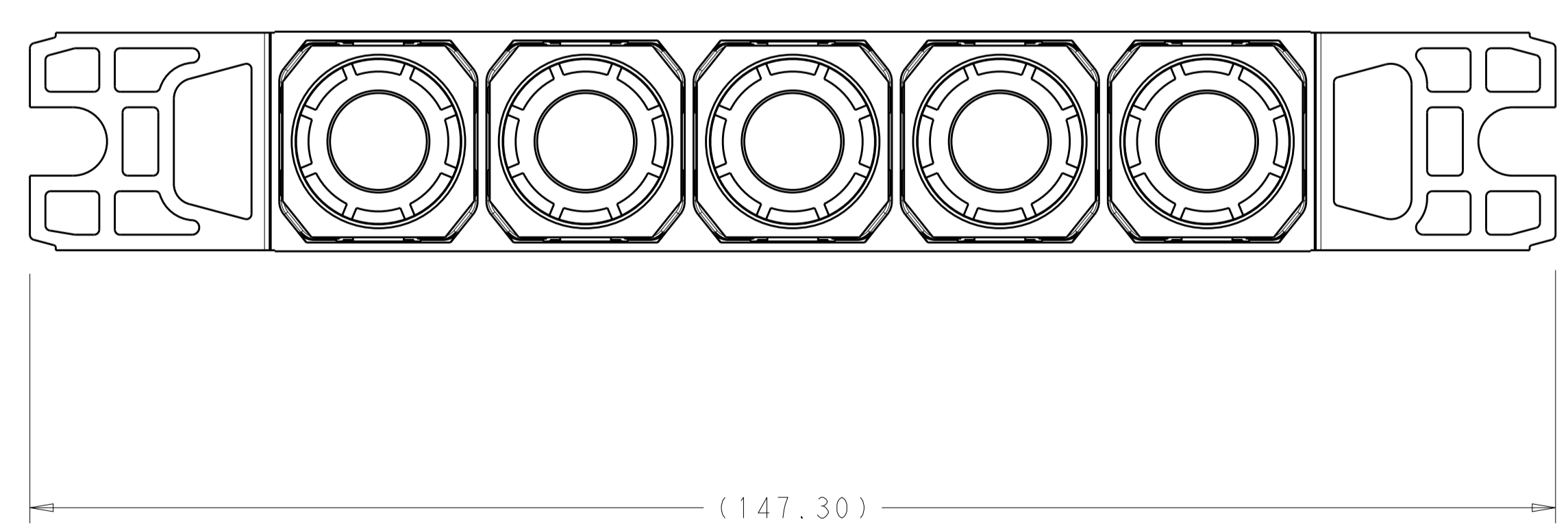
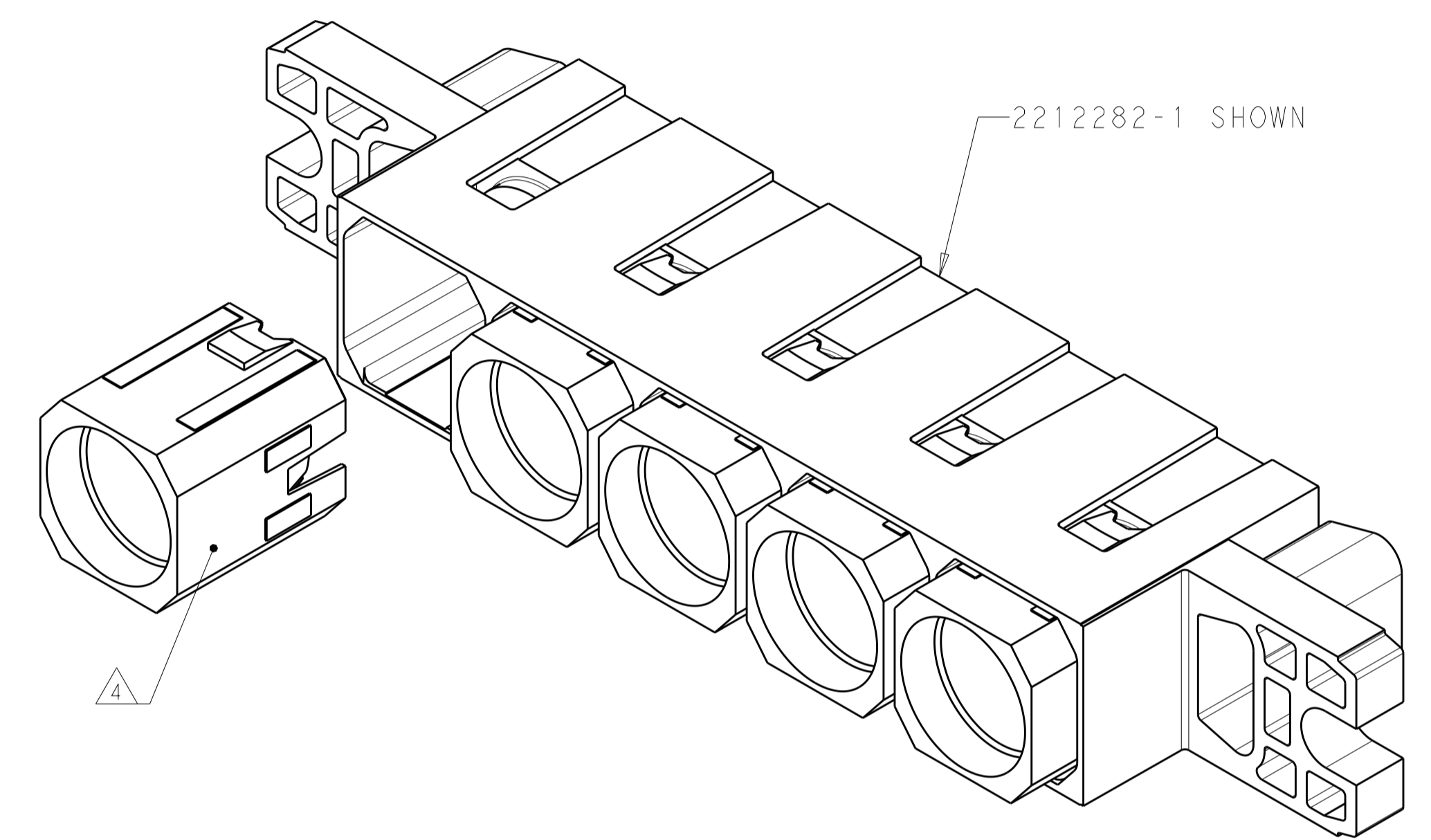
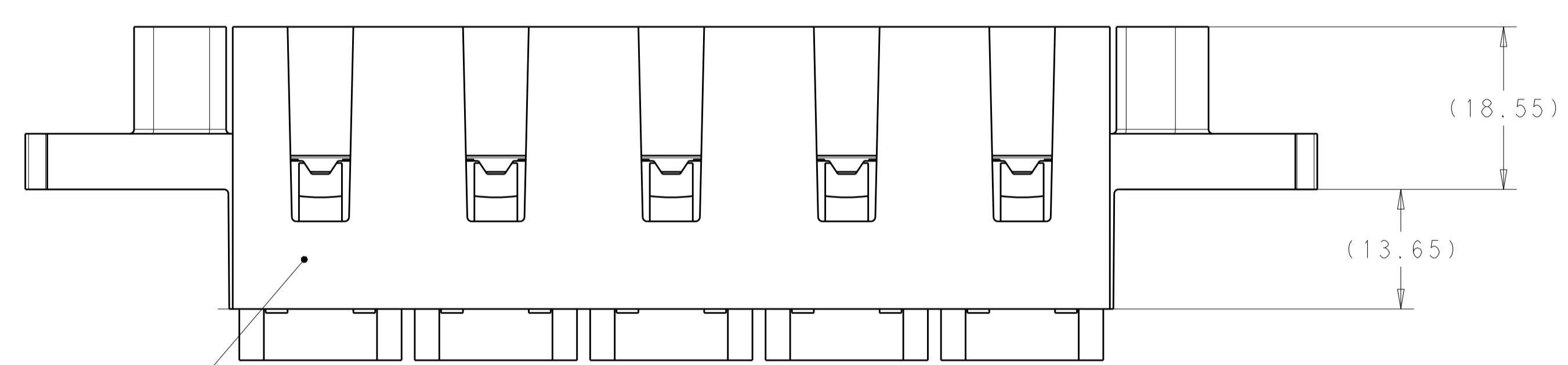
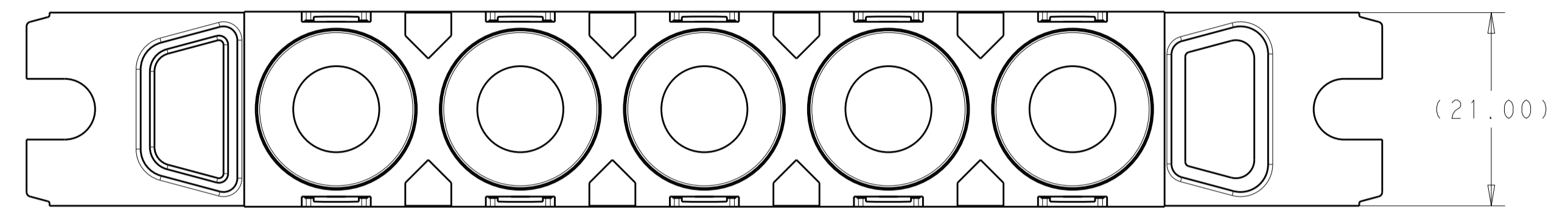


REVISIONS				
P.	LTN	DESCRIPTION	DATE	DWN APVD
4		ADD STRAIN RELIEF	05DEC2014	RT EW
5		MODIFY NAME IN TITLE BOX	24DEC2015	RS SZ
6		MODIFY NOTES	30DEC2015	RS SZ

1. MATERIAL: THERMOPLASTIC, COLOR BLACK, FLAMMABILITY RATING: UL 94 V-0.
2. THIS ASSEMBLY MATES WITH TEC PART NUMBER 2212284-1.
3. DATE CODE AND PART NUMBER IN APPROXIMATE AREA SHOWN.
4. SIZE #0 INSERTS (QUANTITY: 5) SHIPPED ASSEMBLED INTO FRONT HOUSING.
5. RECOMMENDED PANEL CUTOUT FOR FRONT PANEL MOUNT APPLICATION. RECOMMENDED PANEL THICKNESS 1.5 TO 1.78.



5. RECOMMENDED PANEL CUTOUT SCALE 2:1

2212282-1
PART NO.

THIS DRAWING IS A CONTROLLED DOCUMENT.		DWN: R. IRE 31 JUL 2014	TE Connectivity
DIMENSIONS: mm		CHK: E. WICKES 22 SEP 2014	
TOLERANCES UNLESS OTHERWISE SPECIFIED:		APVD: -	NAME: CONNECTOR, PIN, 1X5, 5#0, PANEL MOUNT, FORGE
0 PLC	±N/A	PRODUCT SPEC	APPLICATION SPEC
1 PLC	±N/A	APVD	RESTRICTED TO
2 PLC	±0.25	SIZE	A1
3 PLC	±N/A	CAGE CODE	-
4 PLC	±N/A	DRAWING NO.	2212282
ANGLES	±N/A	WEIGHT	-
FINISH	±N/A	CUSTOMER DRAWING	SCALE 2:1 SHEET 1 OF 1 REV 6