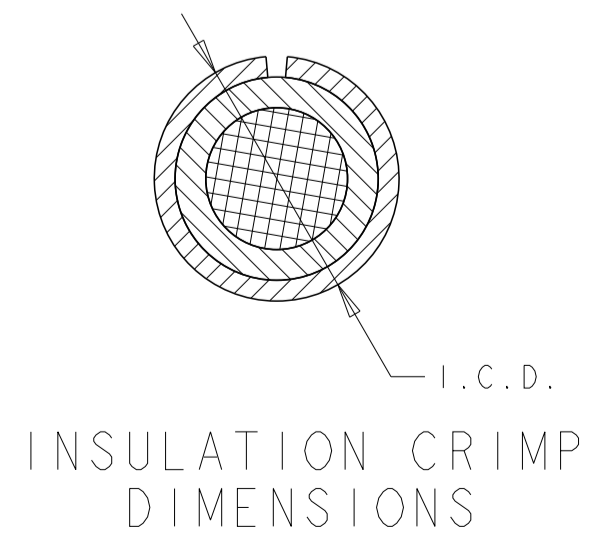
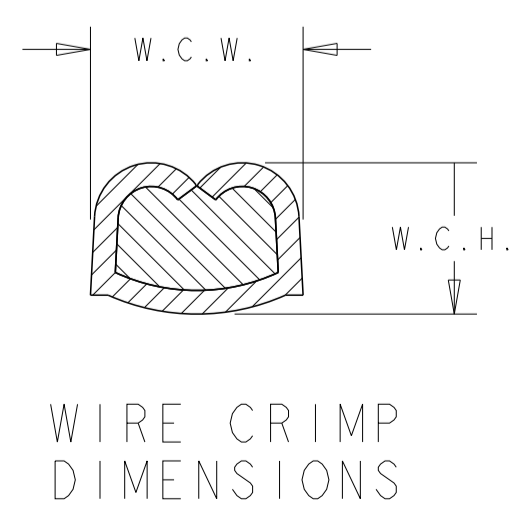
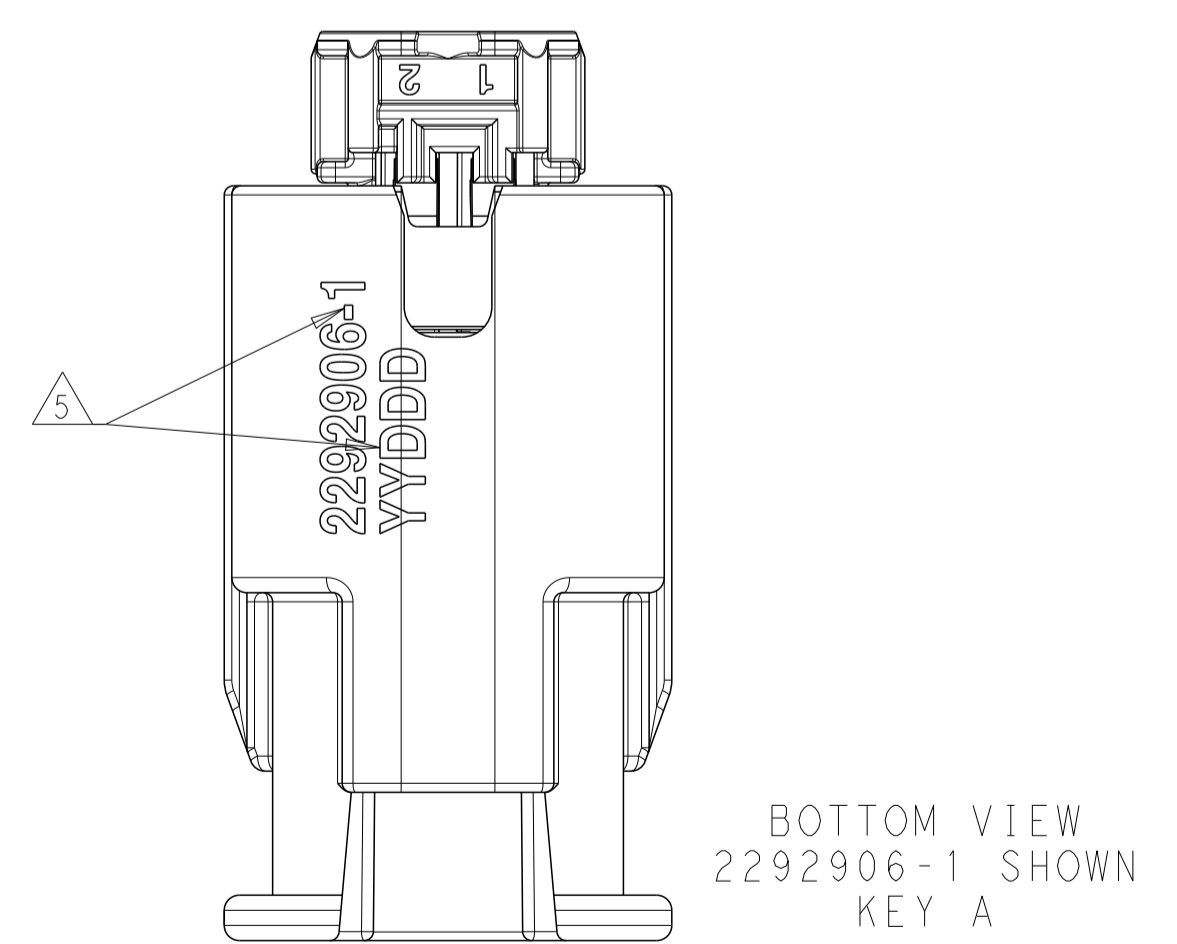
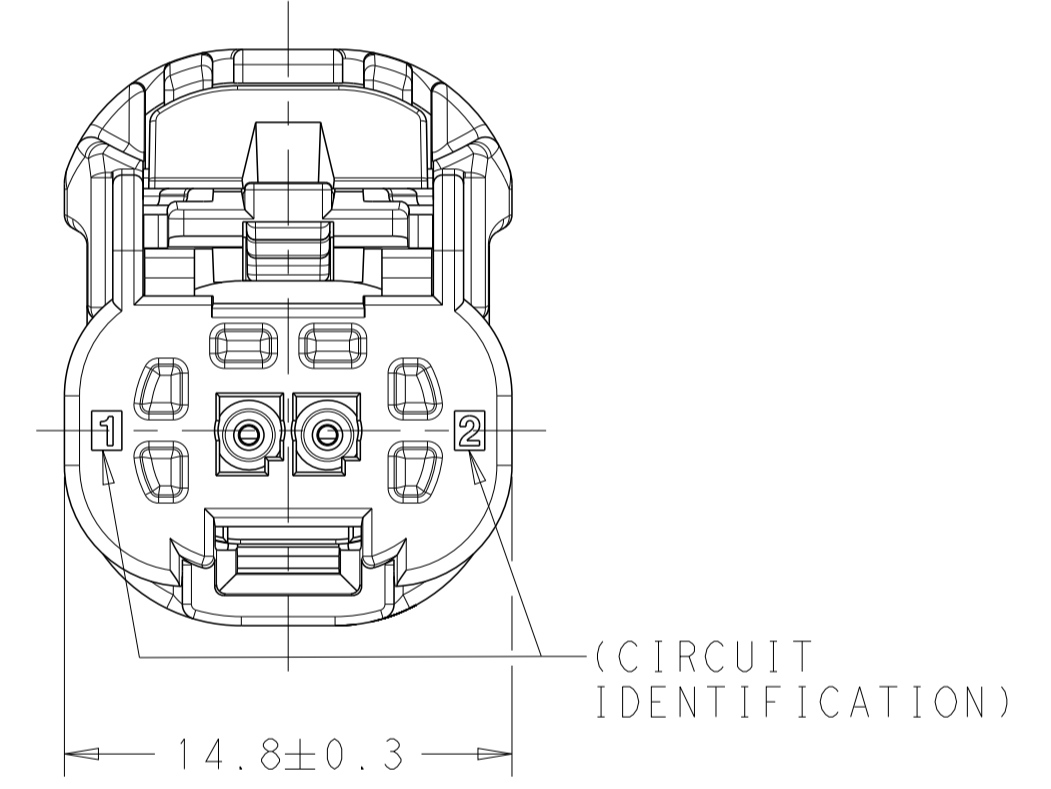
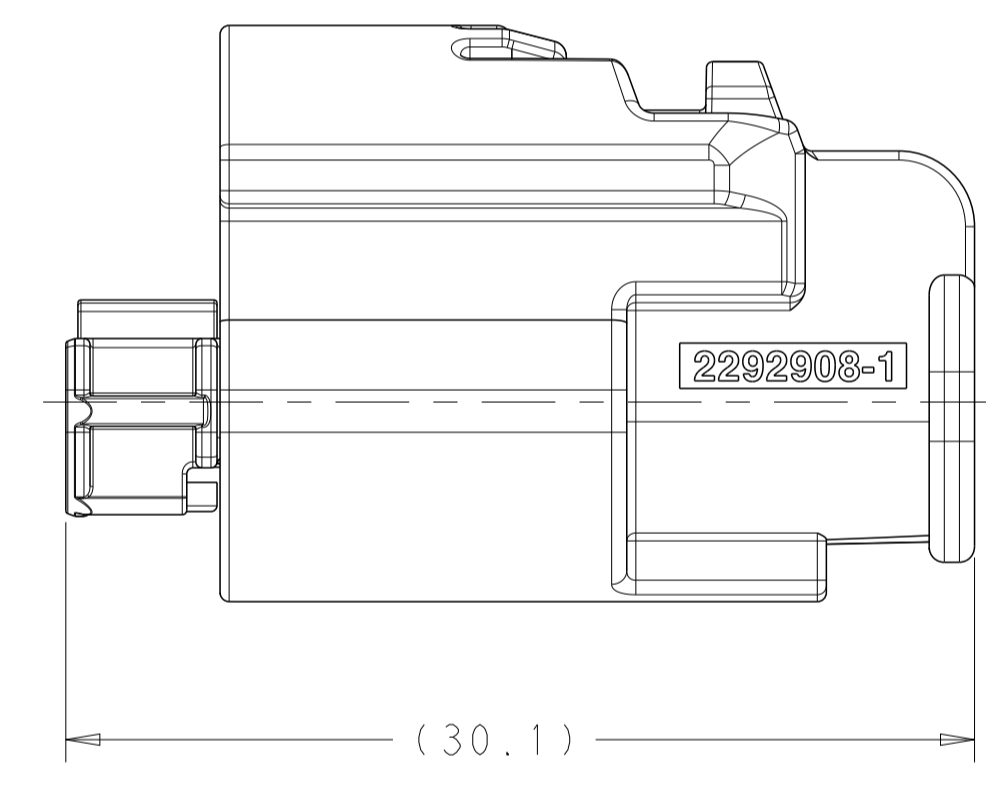
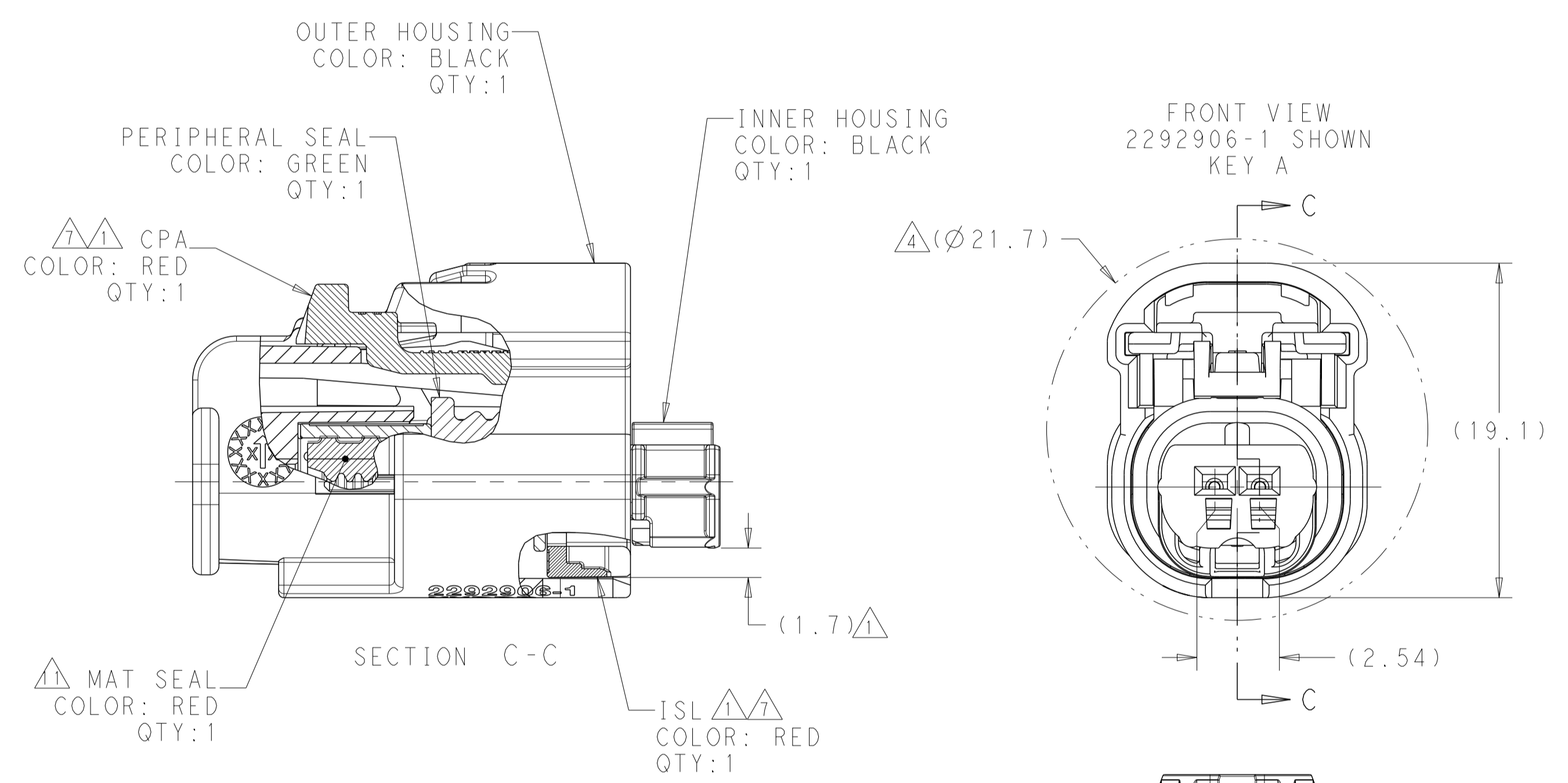


| REVISIONS | | | | | |
|-----------|-----|---------------------------|-----------|-----|------|
| P | LTN | DESCRIPTION | DATE | OWN | APVD |
| B | | REVISED PER ECO-17-008034 | 07AUG2017 | JDS | JDS |
| B1 | | REVISED PER ECO-20-001920 | 22JAN2020 | NRS | NRS |
| C | | REVISED PER ECN-22-160264 | 21JUN2022 | FC | CB |
| C1 | | REVISED PER ECN-22-181824 | 19SEP2022 | GB | BC |

- 1 ISL AND CPA (OPTIONAL) ARE SHIPPED IN THEIR PRE-LATCHED POSITIONS.
2. TERMINALS SOLD SEPARATELY. FOR USE WITH TE MCON 1.2mm CLEAN BODY STANDARD RECEPTACLE CONTACT. SEE TABLE.
3. APPLICABLE INTERFACE DRAWINGS : TE 2295114.
- 4 MINIMUM FEED-THROUGH CONDITION WITH 1.0mm CLEARANCE ALL AROUND
- 5 TE PART NUMBER AND DATE CODE (YY = TWO DIGIT YEAR, JJJ = 3 DIGIT JULIAN DAY. MARKED IN APPROX. AREA SHOWN.
6. FOR OPTIONAL TERMINAL CAVITY BLOCKING, REFER TO INSTRUCTION SHEET 408-32256 OR CONTACT TE SALES REPRESENTATIVE OR CUSTOMER SERVICE.
- 7 SEE INSTRUCTION SHEET 408-32256 FOR CONNECTOR SERVICE AND ISL OPERATION
8. PRIMARY LOCK TERMINAL RETENTION FORCE 25N MINIMUM.
- 9 CONTACT PLATING IS APPLICATION DEPENDENT, CONTACT TE SALES REPRESENTATIVE OR CUSTOMER SERVICE FOR DETAILS
- 10 FOR WIRE CRIMP DETAILS, SEE TE APPLICATION SPECIFICATION 114-18464.
- 11 WIRE INSULATION DIAMETER RANGE: \varnothing 1.22-2.1.
12. CONNECTOR SHOWN CAN BE USED WITH THE FOLLOWING WIRE DRESS COVERS:
STRAIGHT EXIT: TE PN 2272168-1
OR RIGHT ANGLE EXIT: TE PN 2272169-1
WIRE DRESS COVERS ARE PURCHASED SEPARATELY.
13. CONNECTOR SHOWN MATES WITH 2P CAP: 2292937-1 (KEY A) OR 2292937-2 (KEY B).
14. INGRESS PROTECTION LEVEL FOR WIRE DIA 1.22-1.55 IS EQUAL TO IP6K7 STANDARD AND FOR 1.55-2.1 TO USCAR2 STANDARD.



| | | | | | |
|-------------|---------------------|--|-------|-------|--------|
| 125°C | 9 | 1670144 0.50mm ² - 0.75mm ² (INCLUDES #20 AWG) | 10 | 10 | (2.05) |
| | | 1534594 0.25mm ² - 0.35mm ² (INCLUDES #22 AWG) | | | (1.85) |
| MAX TEMP | TERMINAL PLATING | FEMALE TERMINAL P/N WIRE SIZE | W.C.H | W.C.W | I.C.D |

| | | | |
|--|----------|--|--------------------|
| THIS DRAWING IS A CONTROLLED DOCUMENT. | | OWN J. MCNEAL | 17AUG2015 |
| DIMENSIONS: | | CHK J. SANDBURG | 17AUG2015 |
| TOLERANCES UNLESS OTHERWISE SPECIFIED: | | APVD J. SANDBURG | 17AUG2015 |
| mm | 0 PLC ± | NAME PLUG ASSEMBLY, SEALED, 2 POSITION | |
| | 1 PLC ± | PRODUCT SPEC 108-151045 | |
| | 2 PLC ± | APPLICATION SPEC 114-151045 | |
| | 3 PLC ± | SIZE A1 | |
| | 4 PLC ± | CAGE CODE C=2292906 | |
| | ANGLES ± | DRAWING NO - | |
| MATERIAL | FINISH | WEIGHT 4.5 g | RESTRICTED TO - |
| | | CUSTOMER DRAWING | SCALE 4:1 |

| | |
|---------------------------|-------------|
| KEY CODE "B" | 2292906-2 |
| KEY CODE "A" | 2292906-1 |
| KEY CONFIGURATION | PART NUMBER |
| TE TE Connectivity | |
| SHEET 1 OF 1 | |
| REV C1 | |