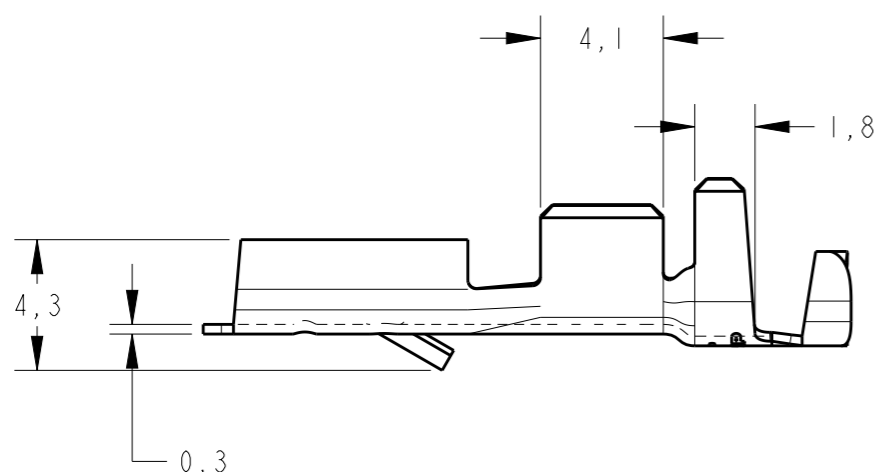
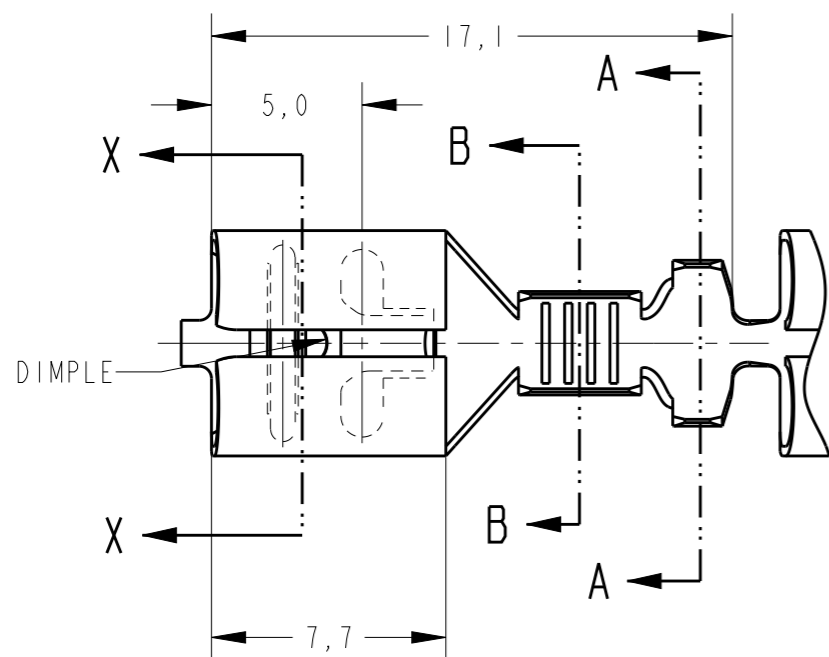
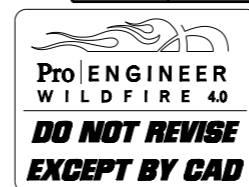


LOC AP DIST -

REVISIONS

P	LTR	DESCRIPTION	DATE	DWN	APVD
	G2	REVISED BY ECO 16-003725	27JUN2016	HC	WLS



SECTION B-B SCALE 5:1

SECTION A-A SCALE 5:1

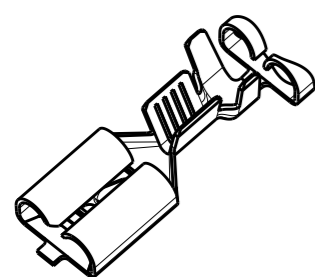
⚠ - OBSOLETE PARTS; OBSOLETE CIS STREAMLINING PER D.RENAUD/D.SINISI

FINISH	MATERIAL	PART NUMBER
PLATEADO/SILVER PLATED	BRONZE FOSF./PHOSP BRONZE	626095 -6
OBSOLETE	LATÃO / BRASS	626095 -5
ESTANHADO / TIN PLATED	BRONZE FOSF./PHOSP BRONZE	626095 -4
—	BRONZE FOSF./PHOSP BRONZE	626095 -3
ESTANHADO / TIN PLATED	LATÃO / BRASS	626095 -2
—	LATÃO / BRASS	626095 -1

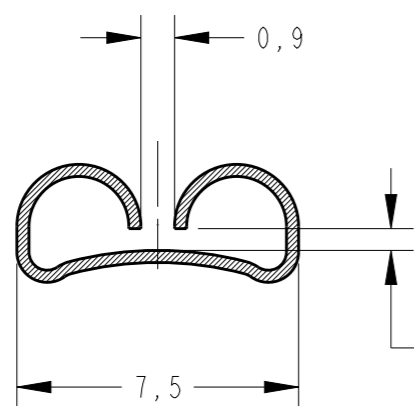
INS. RANGE	WIRE RANGE
∅ 3,0-4,3mm	1,0-2,5mm ²

THIS DRAWING IS A CONTROLLED DOCUMENT.		DWN 26AUG2013 NCLAPRESA			
DIMENSIONS: mm		CHK 26AUG2013 JRGOLDSCHMIDT			
TOLERANCES UNLESS OTHERWISE SPECIFIED:		APVD 26AUG2013 DAOLIVEIRA			
0 PLC	±-	PRODUCT SPEC -			
1 PLC	±0,3				
2 PLC	±-				
3 PLC	±-				
4 PLC	±-				
ANGLES	±°	APPLICATION SPEC -			
MATERIAL	SEE TABLE	FINISH	SEE TABLE	WEIGHT	-

TE Connectivity		NAME		RESTRICTED TO
		.250 SERIES FAST-IN-ON RECEPTACLE		
SIZE	CAGE CODE	DRAWING NO	-	
A3	00779	©-626095	-	
CUSTOMER DRAWING		SCALE	SHEET	OF
		-	1	1
				REV G2



PERSPECTIVE VIEW SCALE 2:1



SECTION X-X SCALE 5:1

PARA LINGUETA DE 0,8mm ESPESSURA FOR 0,8mm TAB