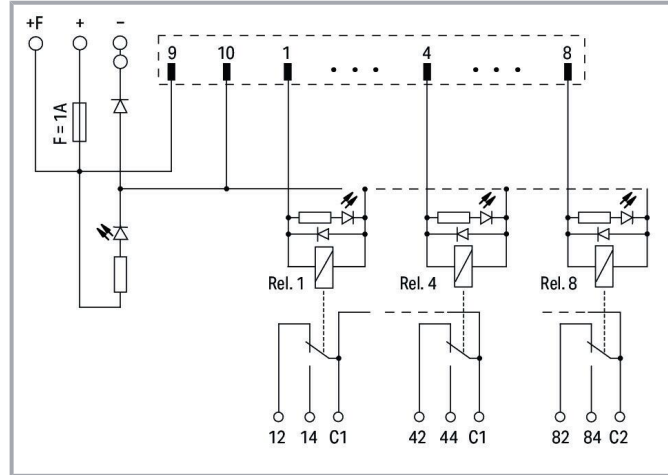
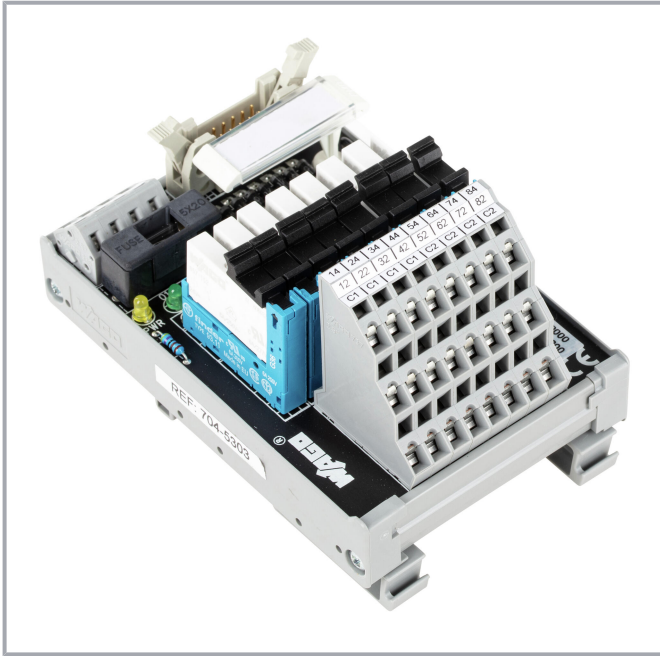


Data sheet | Item number: 704-5303

Interface module for system wiring; Pluggable connector per DIN 41651; Male connector; 10-pole; 8-channel relay output; 1 changeover contact; Triple-deck PCB terminal blocks; in mounting carrier

www.wago.com/704-5303



Data

Notes

Note

Independent of the relay used, the maximum continuous current of the common changeover contacts is 12 A.

Electrical data

Inputs/outputs	8-channel relay output
Nominal operating voltage	DC 24 V
Operating voltage range	$\pm 10\%$
Number of changeover/switchover contacts	1
Limiting continuous current	5 A
Switching voltage (max.)	AC 250 V; DC 48 V
Switching power (resistive) max.	AC 1250 VA; DC 50 W
Mechanical life	10 x 10 ⁶ switching operations

Subject to changes. Please also observe the further product documentation!

WAGO GmbH & Co. KG
Hansastr. 27
32423 Minden
Phone: +49571 887-0 | Fax: +49571 887-169
Email: info.de@wago.com | Web: www.wago.com

Do you have any questions about our products?
We are always happy to take your call at +49 (571) 887-44222.



Status indicator	Green LED (channel) Yellow LED (power supply)
Internal fuse	Supply: 1 A; Relay output: -
WAGO Basic Relay	857-152
Specialty functions	Common changeover contacts of 4 relays

Safety and protection

Rated voltage	50 V
Rated surge voltage	0.8 kV
Pollution degree	2
Dielectric strength (control/load circuit) (AC, 1 min)	4 kVrms
Dielectric strength (load/load circuit) (AC, 1 min)	1 kVrms

Compatibility

Siemens

Siemens S7-300	6ES7 322-1BF01-0AA0 6ES7 322-8BF00-0AB0 6ES7 323-1BH01-0AA0 6ES7 327-1BH00-0AB0 6ES7 326-2BF01-0AB0 6ES7 326-2BF10-0AB0
Siemens S7-1500	6ES7 522-1BF00-0AB0
Siemens ET200SP	6ES7 132-6BF00-0CA0 6ES7 132-6BF01-0AA0 6ES7 132-6BF01-0BA0

GE Fanuc

GE Fanuc 9030	IC693 MDL730 IC693 MDL732
---------------	------------------------------

Schneider

Schneider Modicon TM3	TM3 DQ8T(G)
Schneider Modicon M340	BMX DDM 16022
Schneider Modicon Quantum	140 DDM 390 00
Schneider TSX	TSX DSY 08T2

Subject to changes. Please also observe the further product documentation!



Rockwell

Rockwell Compact Logix	1769 - OB8
------------------------	------------

Omron

Omron CJ1W	CJ1W-OD204
------------	------------

WAGO

WAGO I/O System 750	750-1502
---------------------	----------

WAGO I/O System 753	753-530 (x1)
---------------------	--------------

Connection data

Connection 1

Connector	DIN 41651 connector; male connector
-----------	-------------------------------------

Pole number 1	10
---------------	----

Connection type 1	System
-------------------	--------

Mating direction	vertical
------------------	----------

Connection 2

Design 2	PCB terminal blocks (triple-deck)
----------	-----------------------------------

Pole number 2	24
---------------	----

Connection type 2	Field
-------------------	-------

WAGO connector 2	WAGO 737 Series
------------------	-----------------

Solid conductor 2	0.08 ... 2.5 mm ² / 28 ... 12 AWG
-------------------	--

Fine-stranded conductor 2	0.08 ... 2.5 mm ² / 28 ... 12 AWG
---------------------------	--

Strip length 2	5 ... 6 mm / 0.2 ... 0.24 inches
----------------	----------------------------------

Connection 3

Design 3	PCB terminal blocks
----------	---------------------

Pole number 3	6
---------------	---

Connection type 3	Power supply
-------------------	--------------

WAGO connector 3	WAGO 236 Series
------------------	-----------------

Solid conductor 3	0.08 ... 2.5 mm ² / 28 ... 12 AWG
-------------------	--

Fine-stranded conductor 3	0.08 ... 2.5 mm ² / 28 ... 12 AWG
---------------------------	--

Strip length 3	5 ... 6 mm / 0.2 ... 0.24 inches
----------------	----------------------------------

Subject to changes. Please also observe the further product documentation!

WAGO GmbH & Co. KG

Hansastr. 27

32423 Minden

Phone: +49571 887-0 | Fax: +49571 887-169

Email: info.de@wago.com | Web: www.wago.com

Do you have any questions about our products?

We are always happy to take your call at +49 (571) 887-44222.

Physical data

Width	70 mm / 2.756 inches
Height	105 mm / 4.134 inches
Depth from upper-edge of DIN-rail	65 mm / 2.559 inches

Mechanical Data

Mounting type	DIN-35 rail
---------------	-------------

Material Data

Contact material (relay)	AgSnO ₂
Fire load	1.304 MJ
Weight	171.7 g

Environmental requirements

Ambient temperature (operation)	-25 ... +40 °C
Ambient temperature (storage)	-40 ... +70 °C
Relative humidity	85% (non-condensing)

Commercial data

ETIM 8.0	EC002780
ETIM 7.0	EC002780
PU (SPU)	1 pcs
Packaging type	box
Country of origin	DE
GTIN	4055143982665
Customs tariff number	85369010000

Environmental Product Compliance

RoHS Compliance Status	Compliant, No Exemption
------------------------	-------------------------

Approvals / Certificates

Declarations of conformity and manufacturer's declarations

Logo	Approval	Additional Approval Text	Certificate name
------	----------	--------------------------	------------------

Subject to changes. Please also observe the further product documentation!



UK-Declaration of Conformity
WAGO GmbH & Co. KG

Downloads

Documentation

System Description

WAGO System Wiring, Selection Guide	pdf	Download
This guide will help you select the appropriate interface modules and system cables for the controller you are using.	545.9 kB	

CAD/CAE-Data

CAD data

2D/3D Models 704-5303	URL	Download
-----------------------	-----	----------

Environmental Product Compliance

Compliance Search

Environmental Product Compliance 704-5303	URL	Download
Interface module for system wiring; Pluggable connector per DIN 41651; Male connector; 10-pole; 8-channel relay output; 1 changeover contact; Triple-deck PCB terminal blocks; in mounting carrier		

Installation Notes

Subject to changes. Please also observe the further product documentation!