

JP1



Shunt 2.54mm 1x2 Handle

JP2



Shunt 2.54mm 1x2 Handle

JP3



Shunt 2.54mm 1x2 Handle

JP4



Shunt 2.54mm 1x2 Handle

PAD1



Bumpon CYL D9.53H5.97

PAD2



Bumpon CYL D9.53H5.97

PAD3



Bumpon CYL D9.53H5.97

PAD4



Bumpon CYL D9.53H5.97

PAD5



Bumpon CYL D9.53H5.97

LABEL1

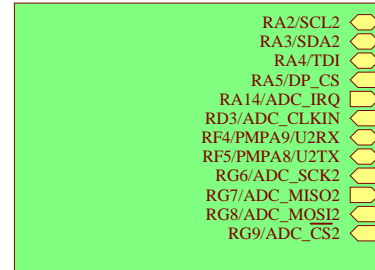


Label Need Help Large

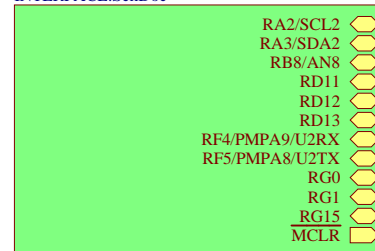
U\_POWER  
POWER.SchDoc



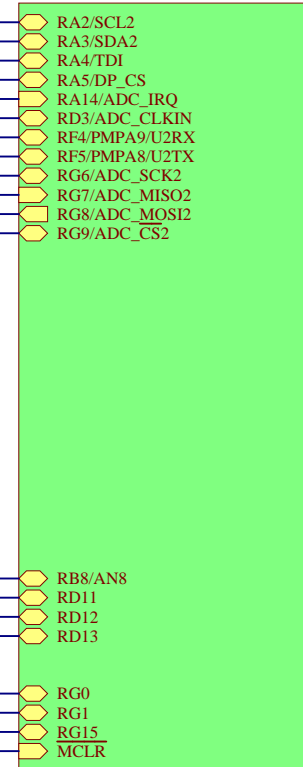
U\_ADC  
ADC.SchDoc



U\_INTERFACE  
INTERFACE.SchDoc



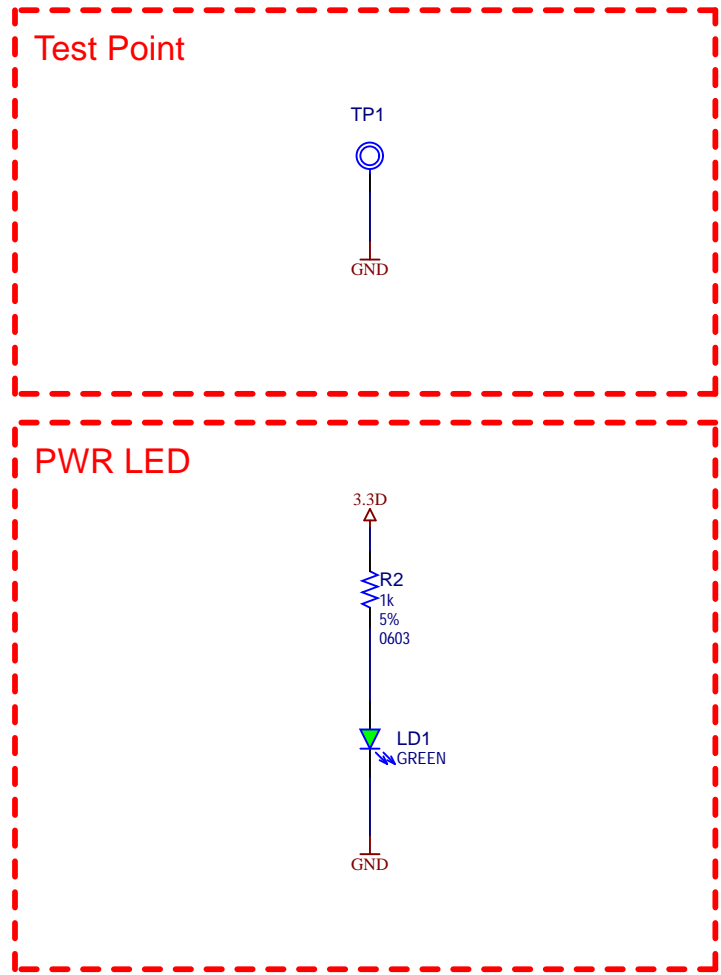
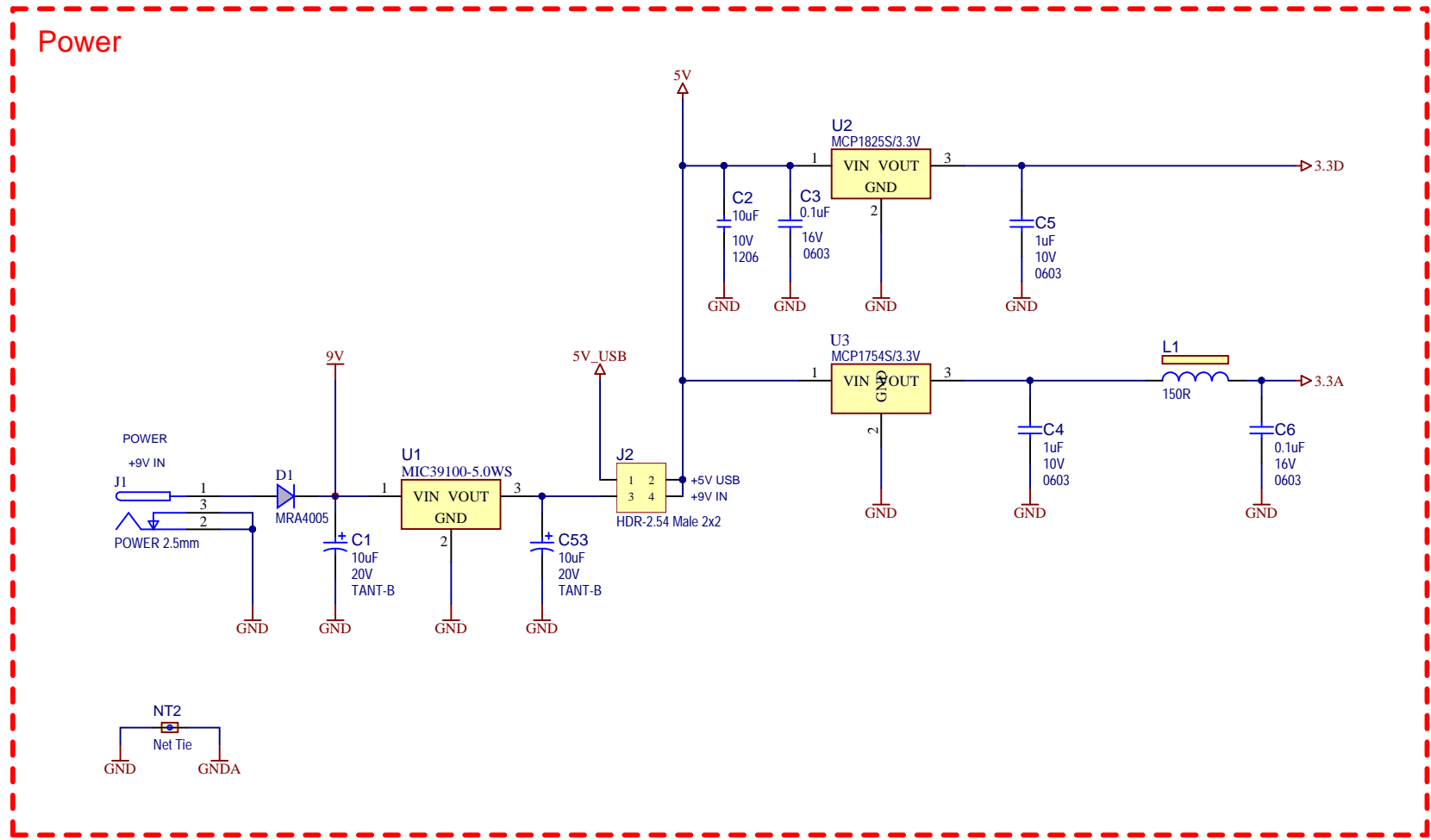
U\_PIM MODULE  
PIM MODULE.SCHDOC



Drawn By: Dinu Varta, Dana Diaconu		
Engineer: Andrei Hapenciuc		
PartNumber: ADM01097	Project Title MCP3564 4-Ch ADC Evaluation Board V2	Variant: V1
Sheet Title **		
Size B	Sch #:03-11005	Date: 6/4/2019 12:33:45 PM
	Revision: 1	Sheet 1 of 5
File: TOP_SHEET.SchDoc		



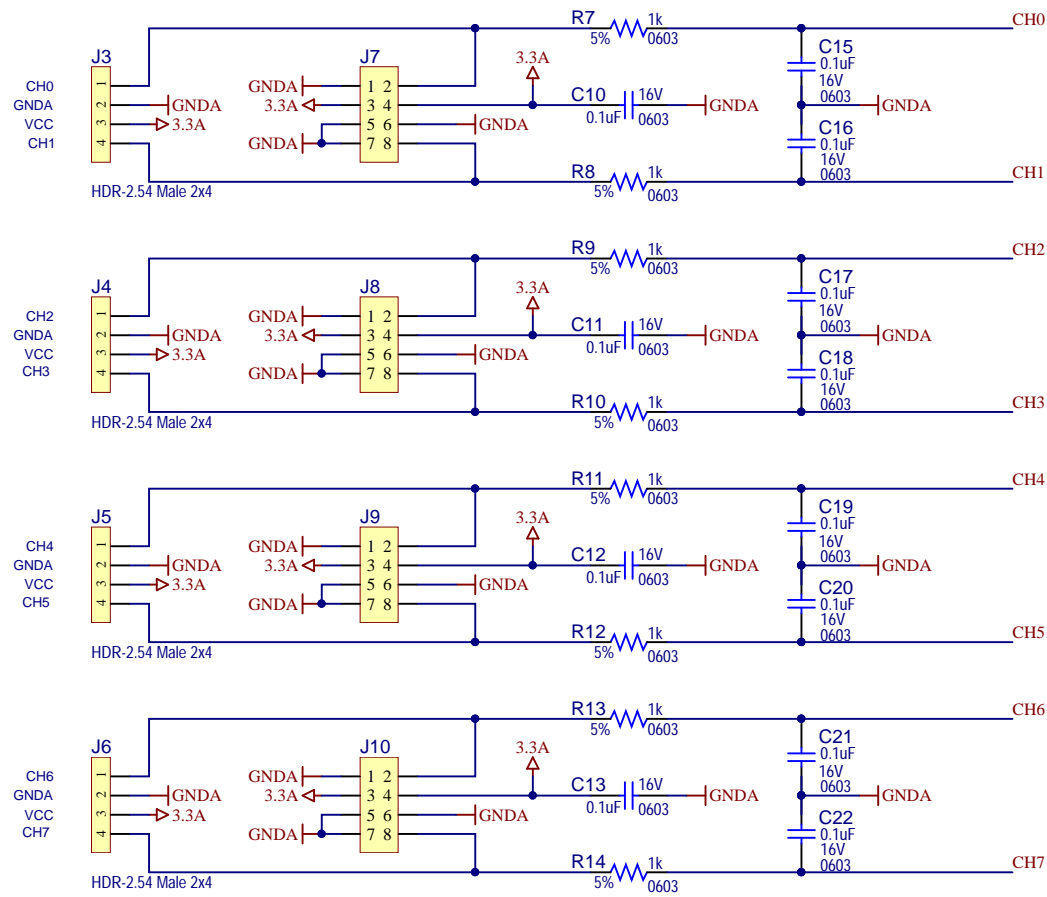
Altium.com



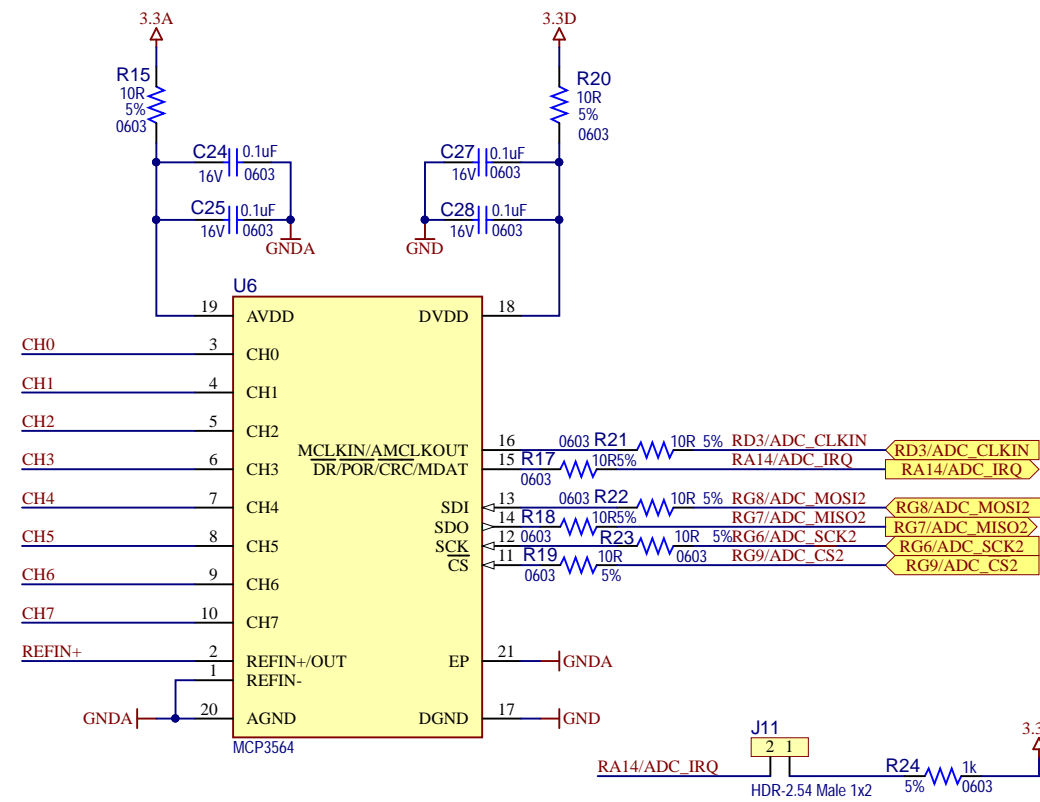
Drawn By: Dinu Varta, Dana Diaconu		
Engineer: Andrei Hapenciu		
PartNumber: ADM01097	Project Title <b>MCP3564 4-Ch ADC Evaluation Board V2</b>	Variant: V1
Sheet Title <b>POWER</b>		
Size B	Sch #:03-11005	Date: 6/4/2019 12:33:45 PM
	Revision: 1	Sheet 2 of 5
File: POWER.SchDoc		



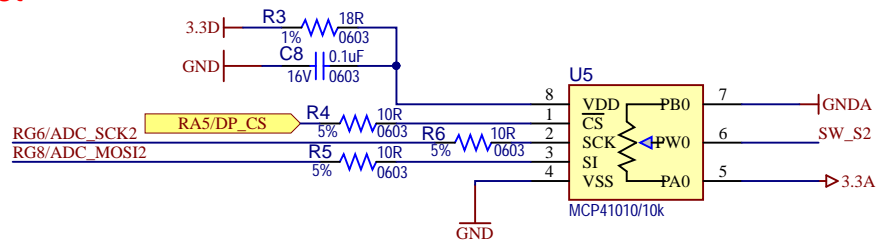
## Analog Input Channels



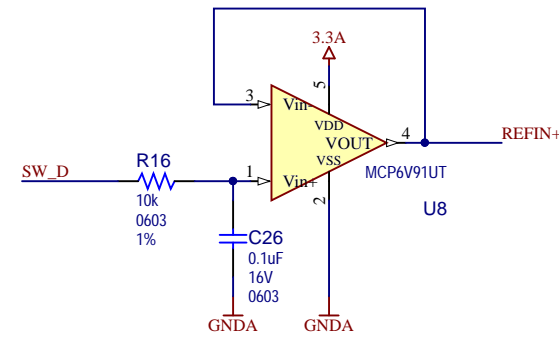
## MCP3564 4-Ch ADC



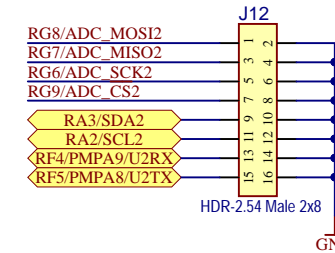
## Digipot



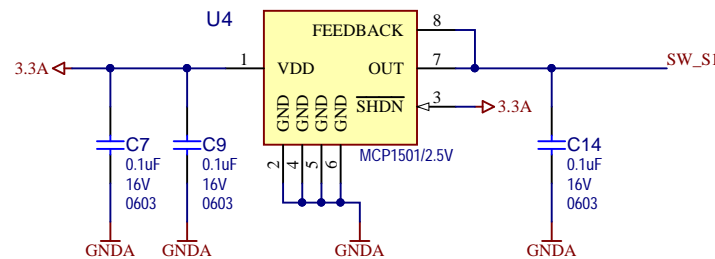
## External Vref Filter



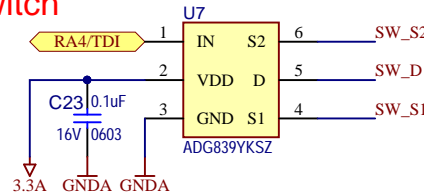
## Logic Probe Connector



## Voltage Reference IC



## IC Switch



Drawn By:  
Dinu Varta, Dana Diaconu  
Engineer:  
Andrei Hapenciu

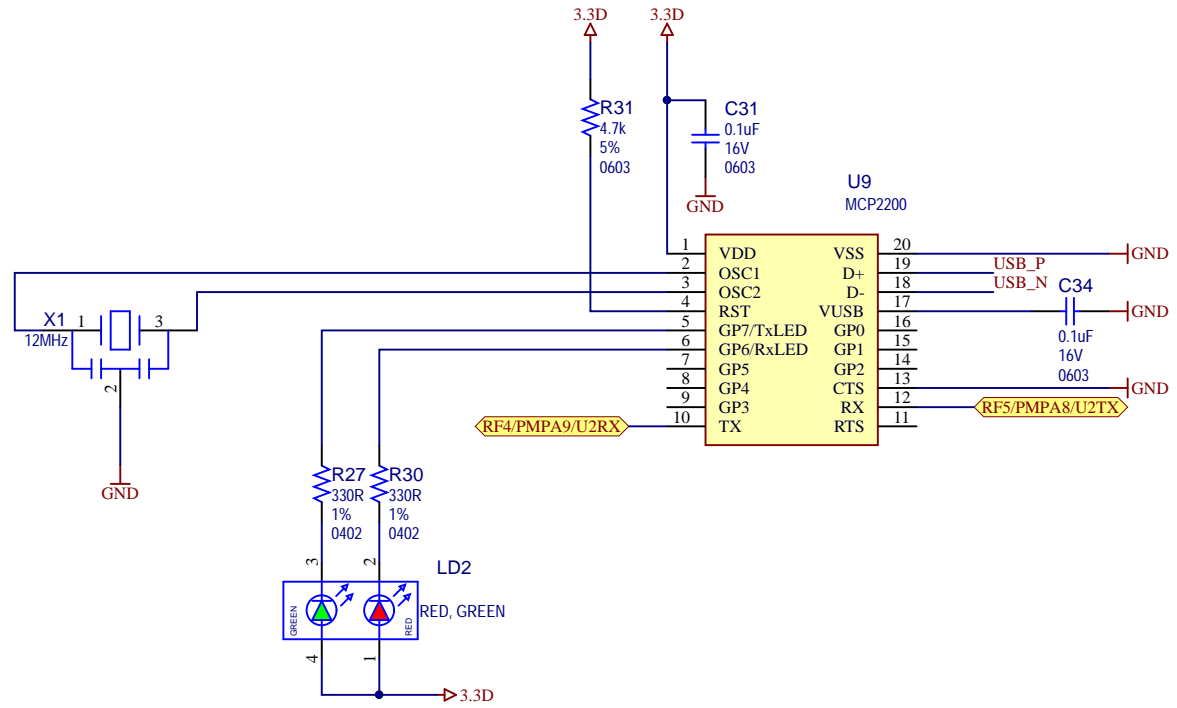


PartNumber: ADM01097 Project Title: MCP3564 4-Ch ADC Evaluation Board V2 Variant: V1

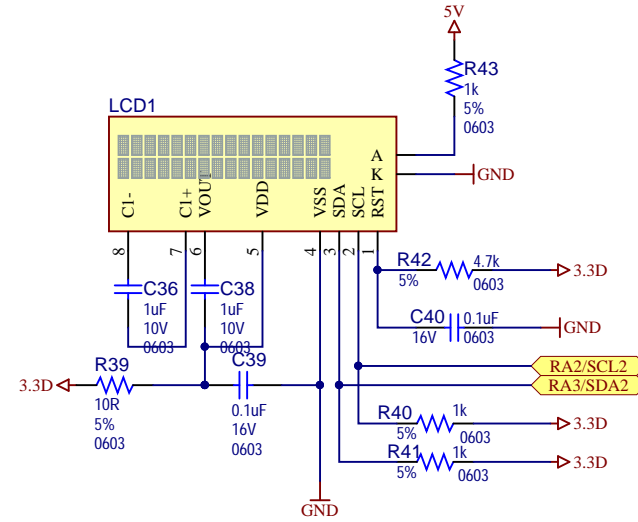
Sheet Title: ADC  
Size: B Sch #:03-11005 Date: 6/4/2019 12:33:46 PM  
Revision: 1 Sheet 3 of 5

File: ADC.SchDoc  
Designed with Altium Altium.com

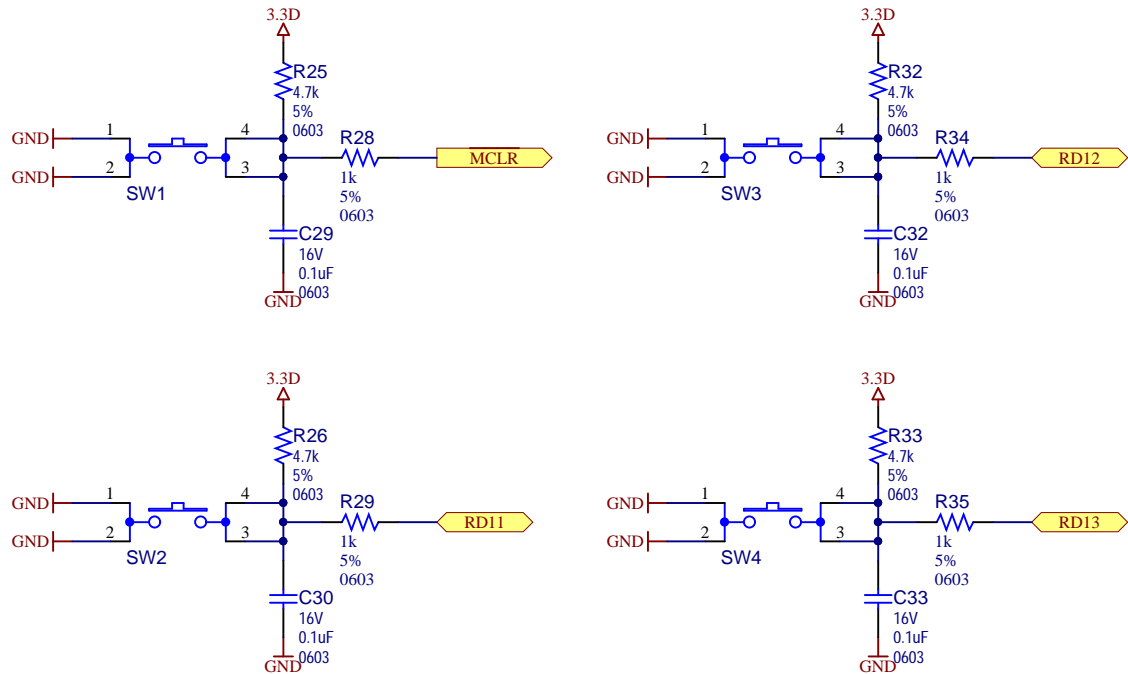
# MCP2200



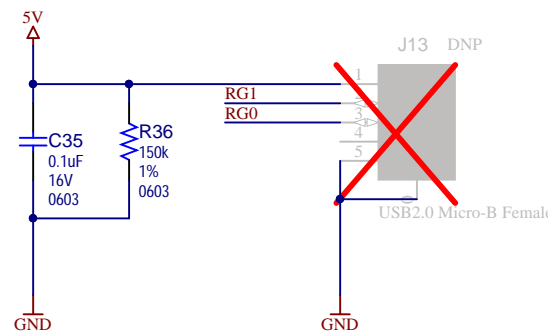
# LCD



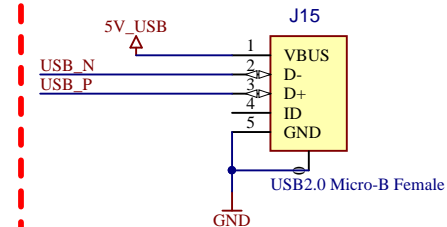
# Interface Input



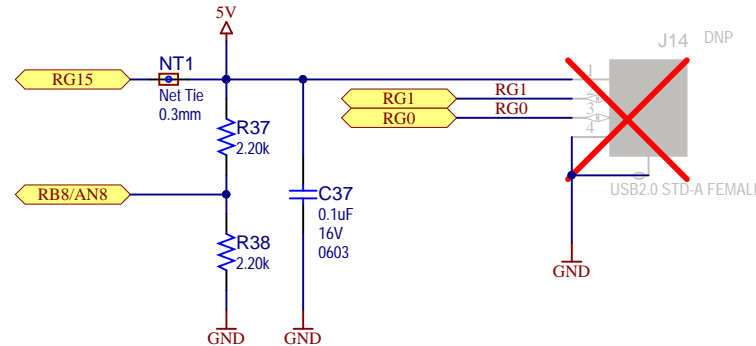
# USB - DNP



# USB Data View Port



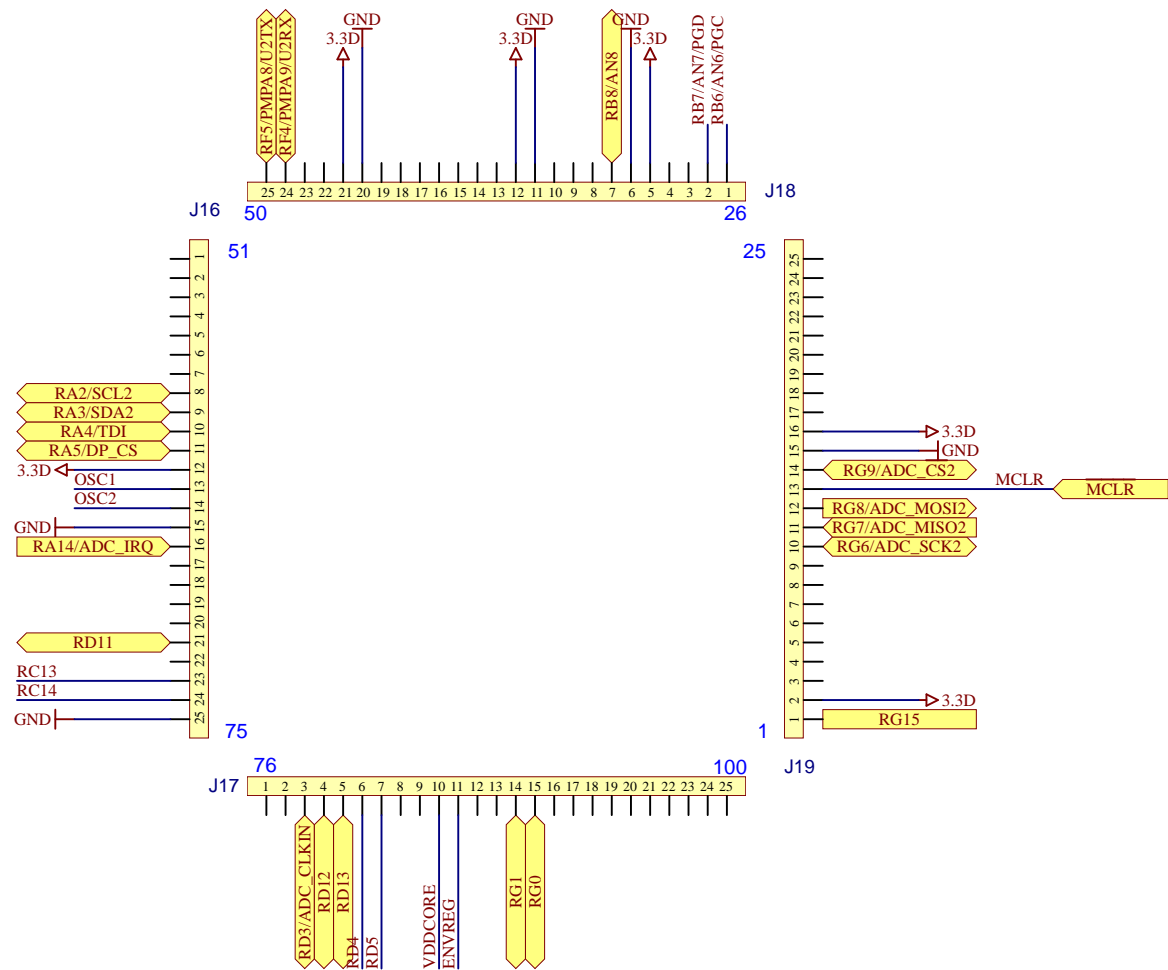
# USB HOST - DNP



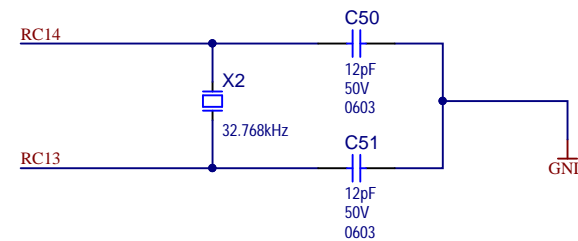
Drawn By: Dinu Varta, Dana Diaconu		
Engineer: Andrei Hapenciu		
PartNumber: ADM01097	Project Title MCP3564 4-Ch ADC Evaluation Board V2	Variant: V1
Sheet Title **		
Size B	Sch #03-11005	Date: 6/4/2019 12:33:46 PM
Revision: 1		Sheet 4 of 5
File: INTERFACE.SchDoc		

Designed with  
**Altium**  
Altium.com

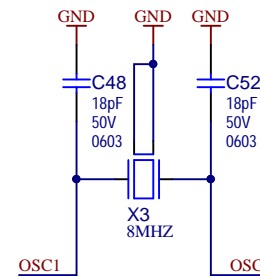
# PIM MODULE



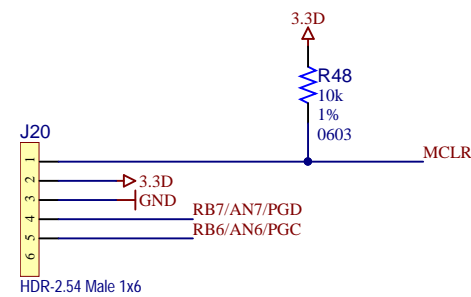
# RTC XTAL



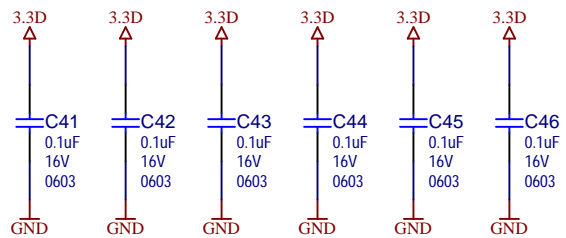
# CLK XTAL



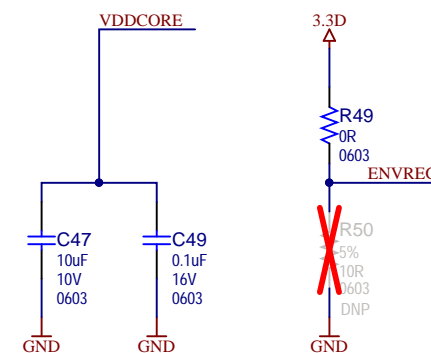
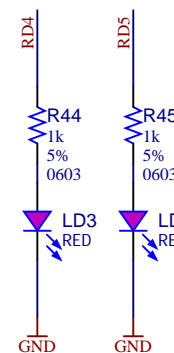
# ICD



# Decoupling Capacitors



# LEDs



Drawn By:  
Dinu Varta, Dana Diaconu

Engineer:  
Andrei Hapenciuc



PartNumber: ADM01097 Project Title: MCP3564 4-Ch ADC Evaluation Board V2 Variant: V1

Sheet Title: PIM MODULE

Size: B Sch #:03-11005 Date: 6/4/2019 12:33:46 PM

Revision: 1 Sheet 5 of 5

File: PIMMODULE.SCHDOC

