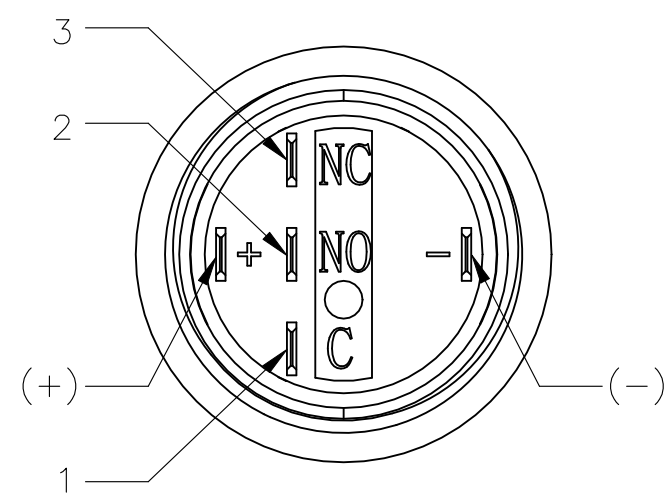
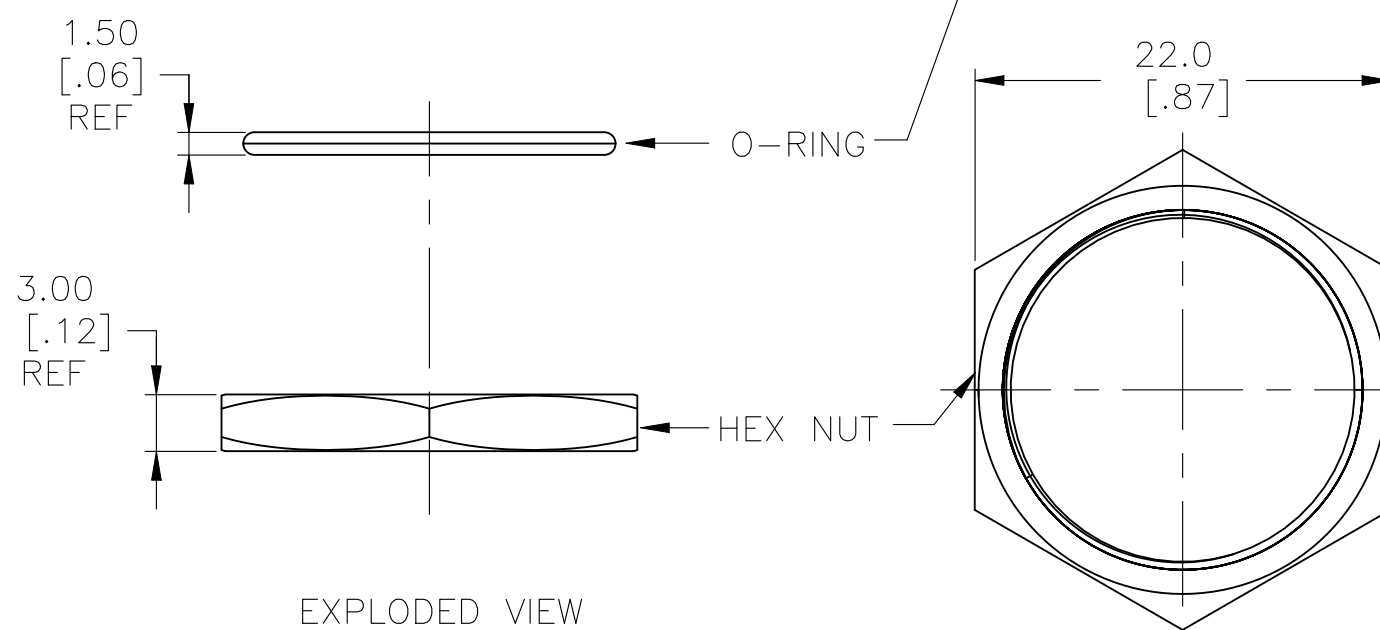
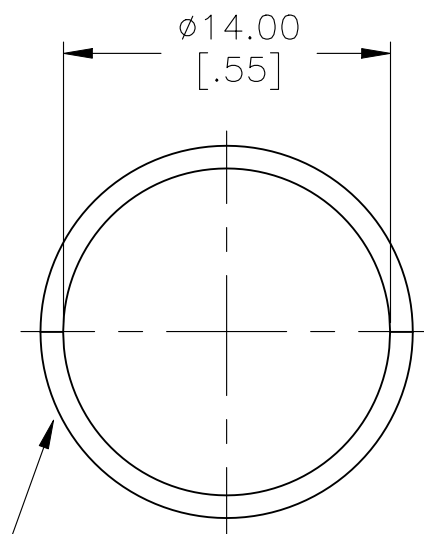
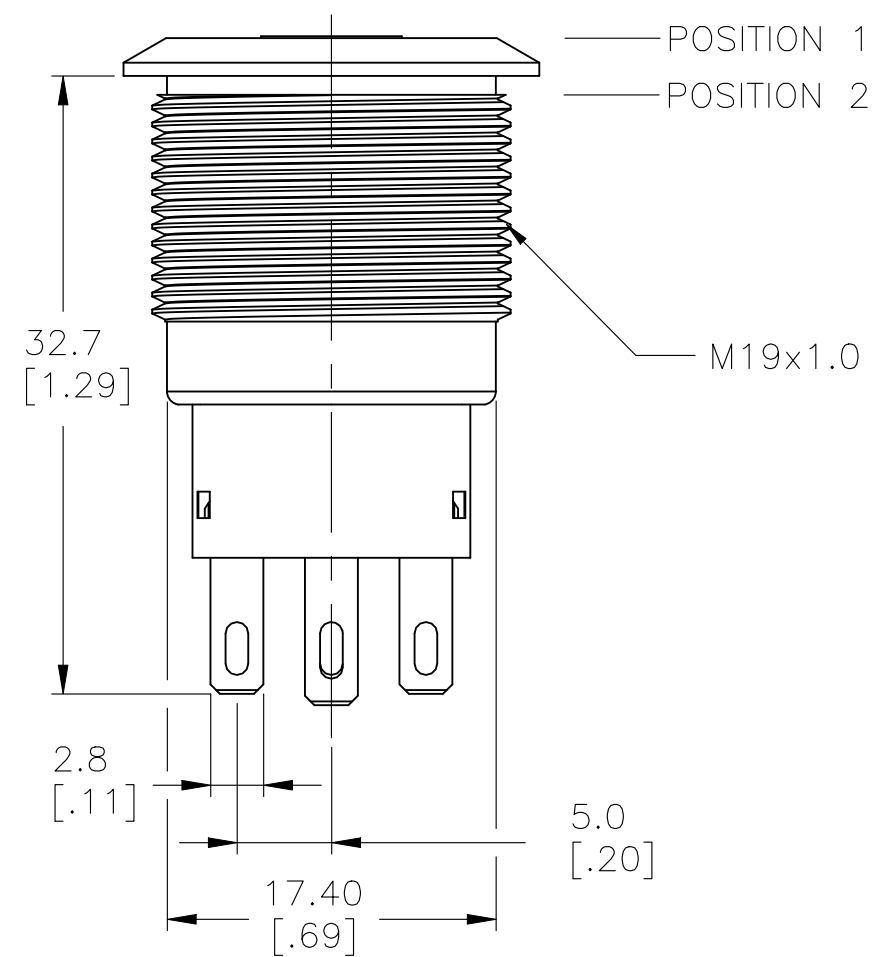
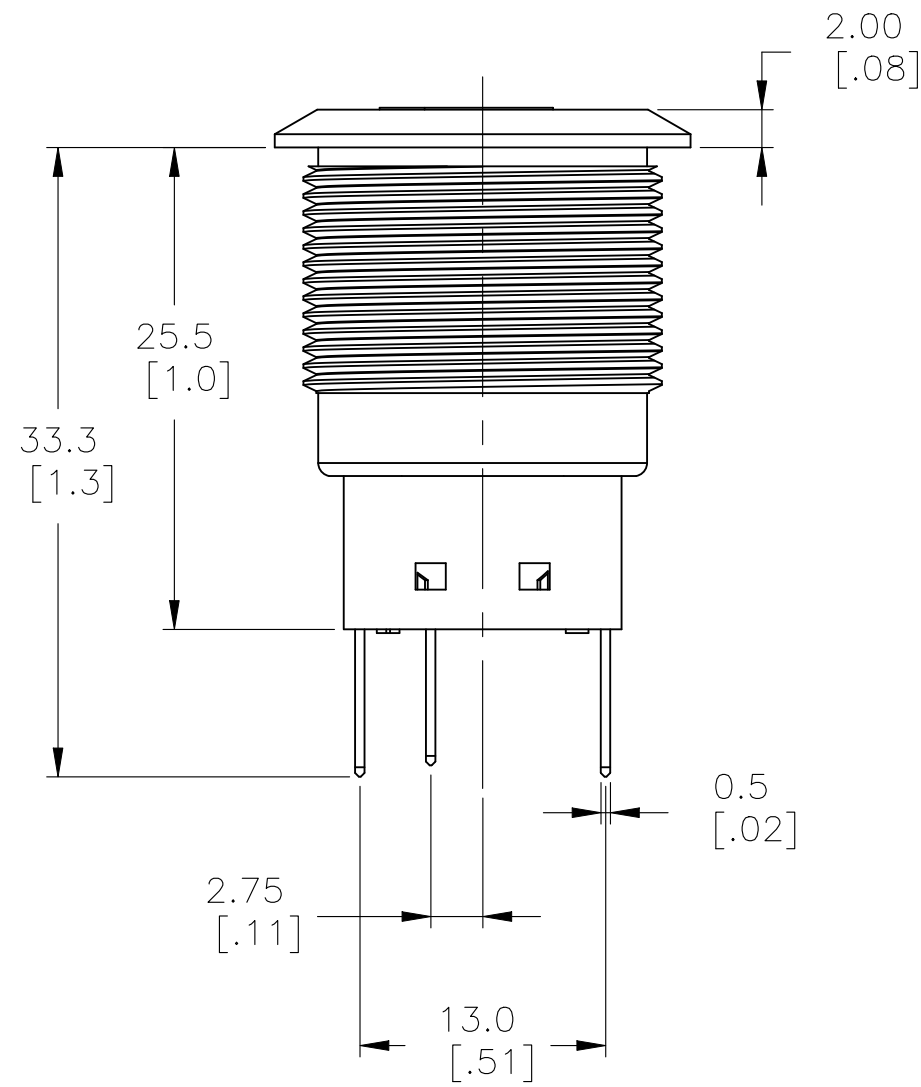
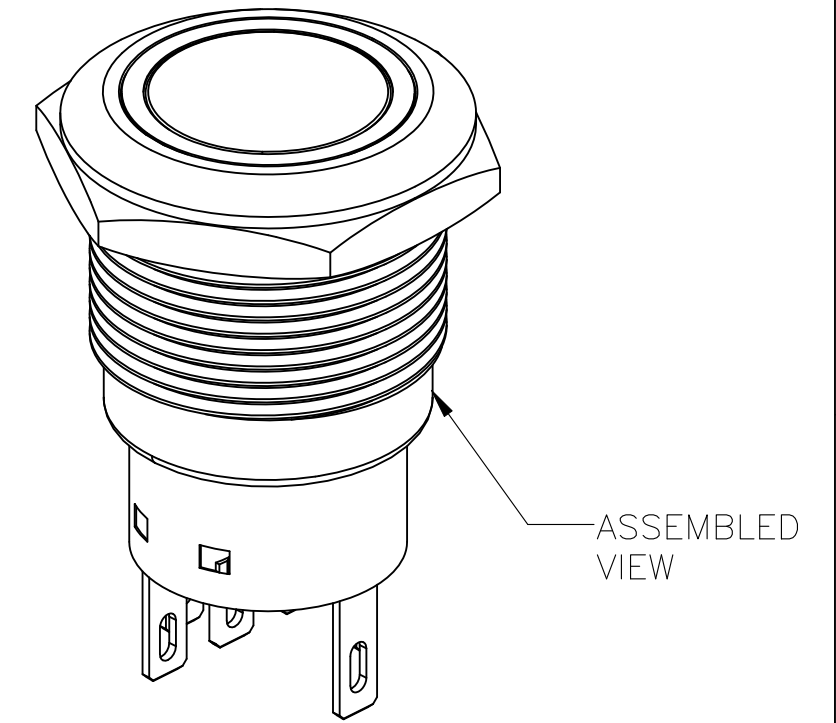
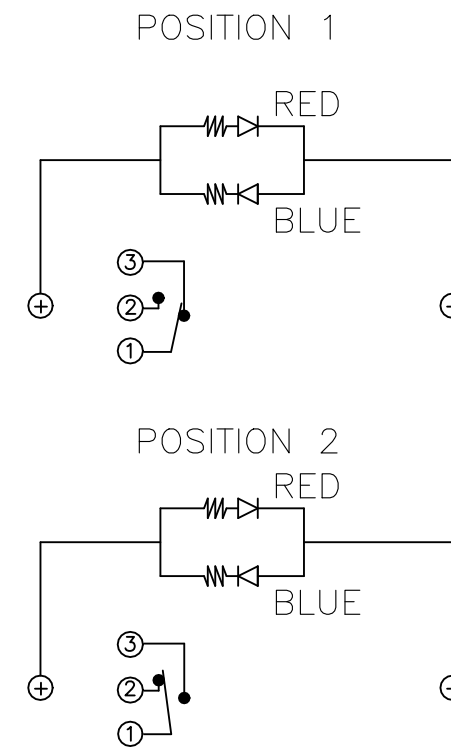
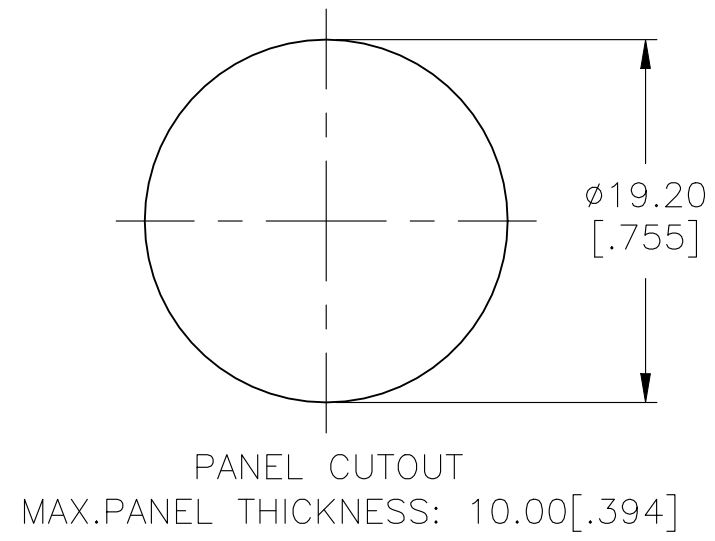
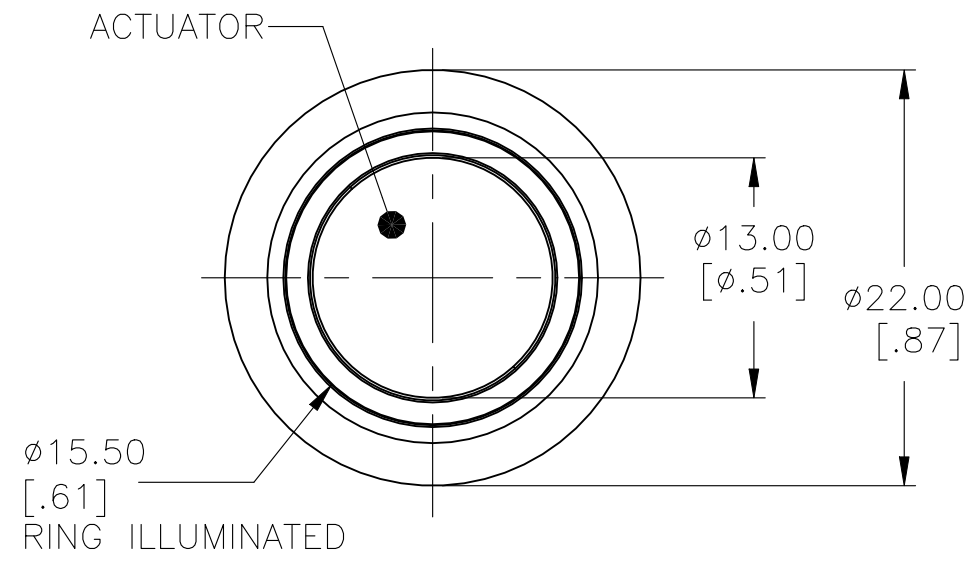


THIS DRAWING IS UNPUBLISHED. RELEASED FOR PUBLICATION  
 © COPYRIGHT - By - ALL RIGHTS RESERVED.

REVISIONS					
P	LTR	DESCRIPTION	DATE	DWN	APVD
A1		ECO-21-006709	18JUN2021	RK	AS

### SINGLE POLE SWITCH WITH DUAL COLOR LED's



**SPECIFICATION:**

CONTACT RATING: SILVER; 3A @ 250VAC RESISTIVE  
 GOLD; 0.4A @ 20VDC OR PEAK AC  
 INSULATION RESISTANCE: 1,000MΩ MIN AT 500VDC  
 DIELECTRIC STRENGTH: 2,000V RMS @ SEA LEVEL  
 CONTACT RESISTANCE: 50mΩ MAX @ 1A 12VDC (INITIAL VALUE), SOLDER TERMINALS  
 100mΩ MAX @ 1A 12VDC (INITIAL VALUES), FLYING LEADS.  
 ELECTRICAL LIFE CYCLES: 50,000 MAKE AND BREAK CYCLES AT FULL LOAD.  
 ACTUATION FORCE: SP: 2.5±1 N, DP: 3.5±1 N  
 ACTUATION TRAVEL: APPROXIMATELY 3.2mm  
 SEALED PER IP67, IK10  
 OPERATING TEMPERATURE: -20°C TO +55°C  
 MECHANICAL LIFECYCLES: MOMENTARY; 1,000,000 CYCLES  
 LOCKING; 500,000 CYCLES  
 HARDWARE TORQUE: 5-14 N-m.

**MATERIALS**

BUSHING: STAINLESS STEEL,  
 BASE: PBT (UL 94-V0), PC (UL 94-V2),  
 ACTUATOR: STAINLESS STEEL, PC  
 O-RING: SILICONE,  
 TERMINAL/CONTACT: COPPER BASE, SILVER/GOLD PLATED,  
 HEX NUT: BRASS BASE, NICKEL PLATED,  
 WIRE:UL3385.  
 INNER ASSEMBLY: POM/PA66  
 SPRING: SPRING STEEL  
 SEALING: SILICONE

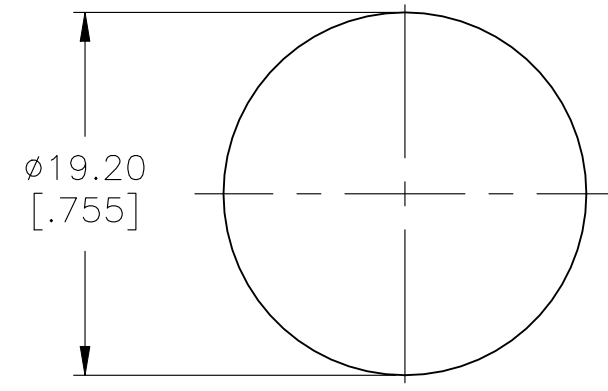
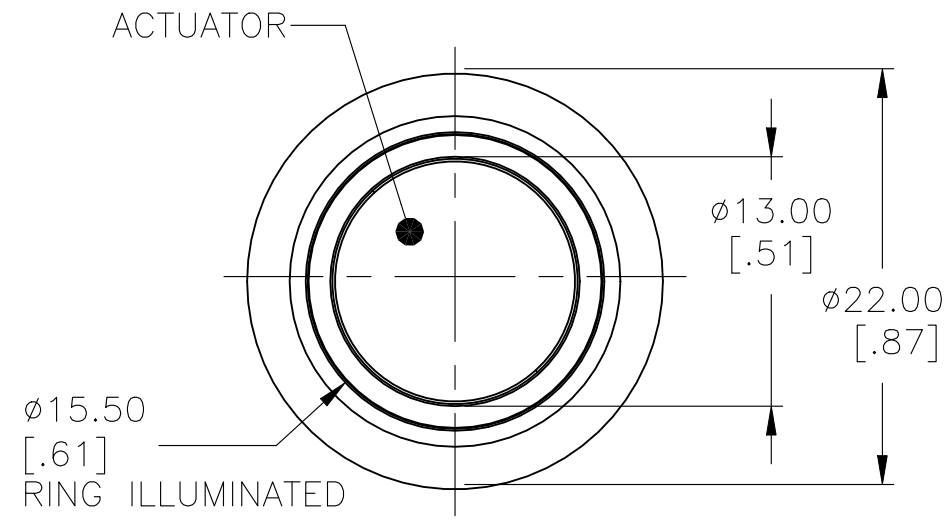
1. ALL MATERIAL AND FINISHES SHALL COMPLY WITH EU DIRECTIVE 2002/95/EC OF 27JAN2003(ROHS).

THIS DRAWING IS A CONTROLLED DOCUMENT.		DWN 13MAR2017 SHIVAKUMAR S S	<b>STE</b> TE Connectivity	
DIMENSIONS: mm [INCHES]		CHK 13MAR2017 SANJAY SHINDIKAR		
TOLERANCES UNLESS OTHERWISE SPECIFIED:		APVD 13MAR2017 SANJAY SHINDIKAR	NAME ANTI-VANDAL SWITCH 19mm DUAL COLOR LED	
0 PLC ± -		PRODUCT SPEC	SOLDER TERMINALS, FLYING LEADS, WITH MOVING RING	
1 PLC ± 0.4[016]		APPLICATION SPEC	SIZE A2	CAGE CODE 00779
2 PLC ± 0.25[010]		WEIGHT -	DRAWING NO C=2316531	RESTRICTED TO -
3 PLC ± -		CUSTOMER DRAWING	SCALE 1:1	SHEET 1 of 5
4 PLC ± -			REV A1	
ANGLES ± 2°				
FINISH -				

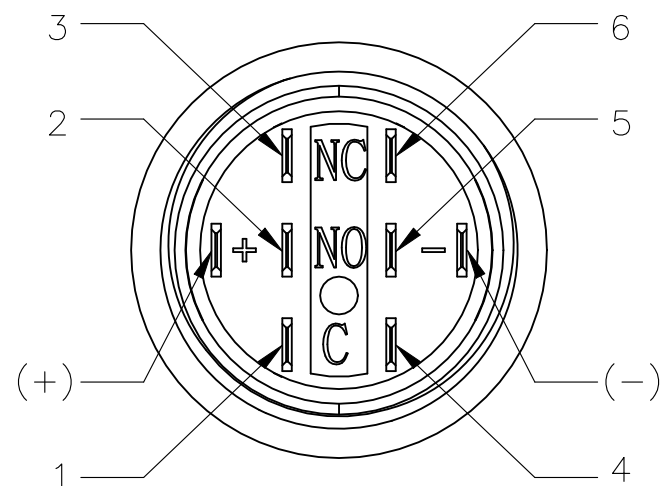
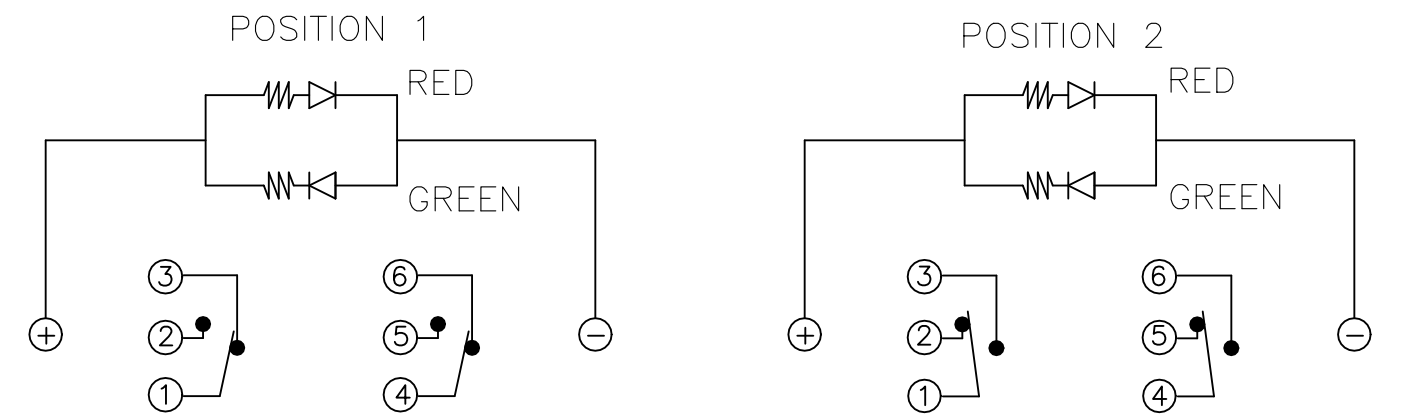
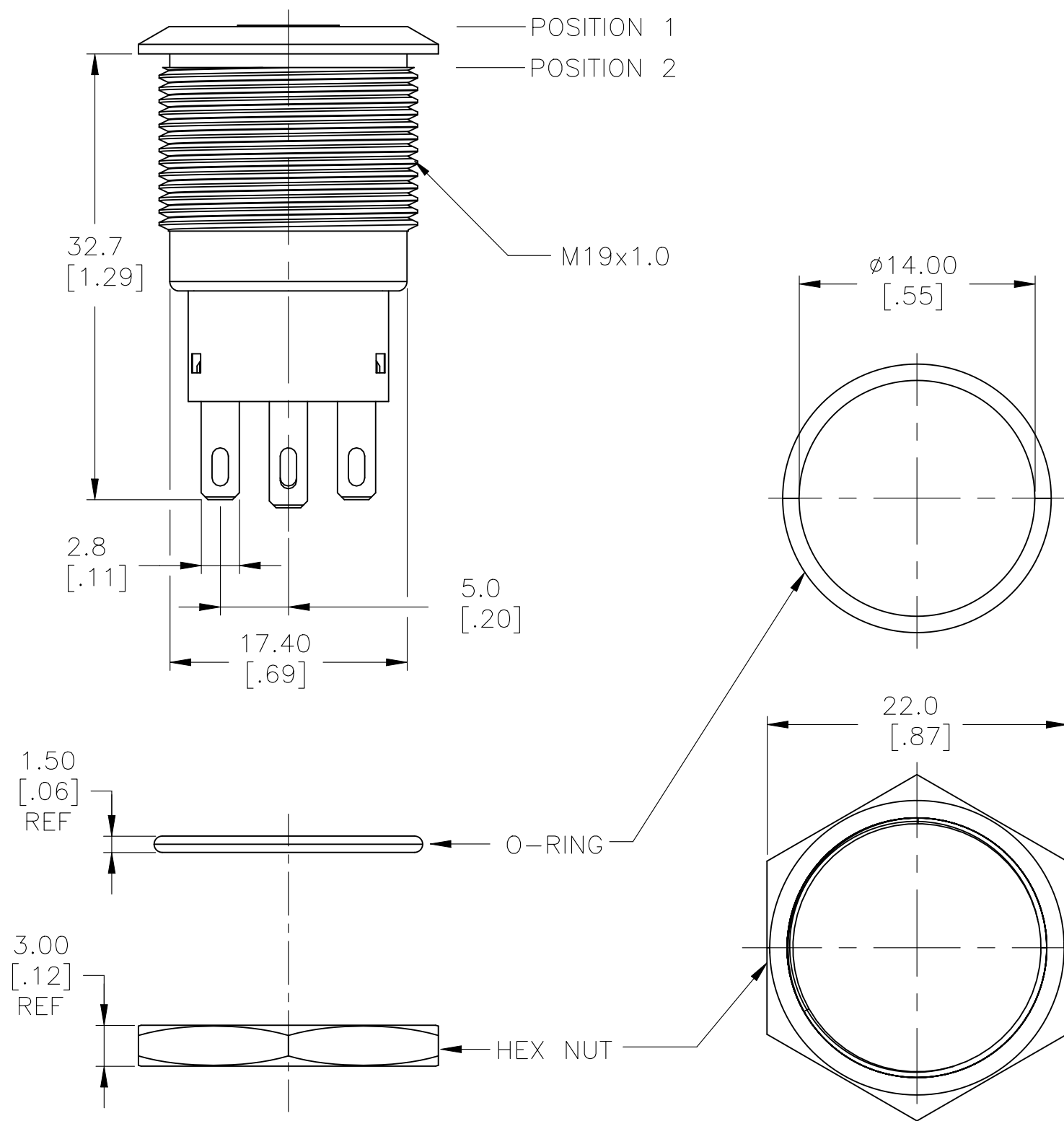
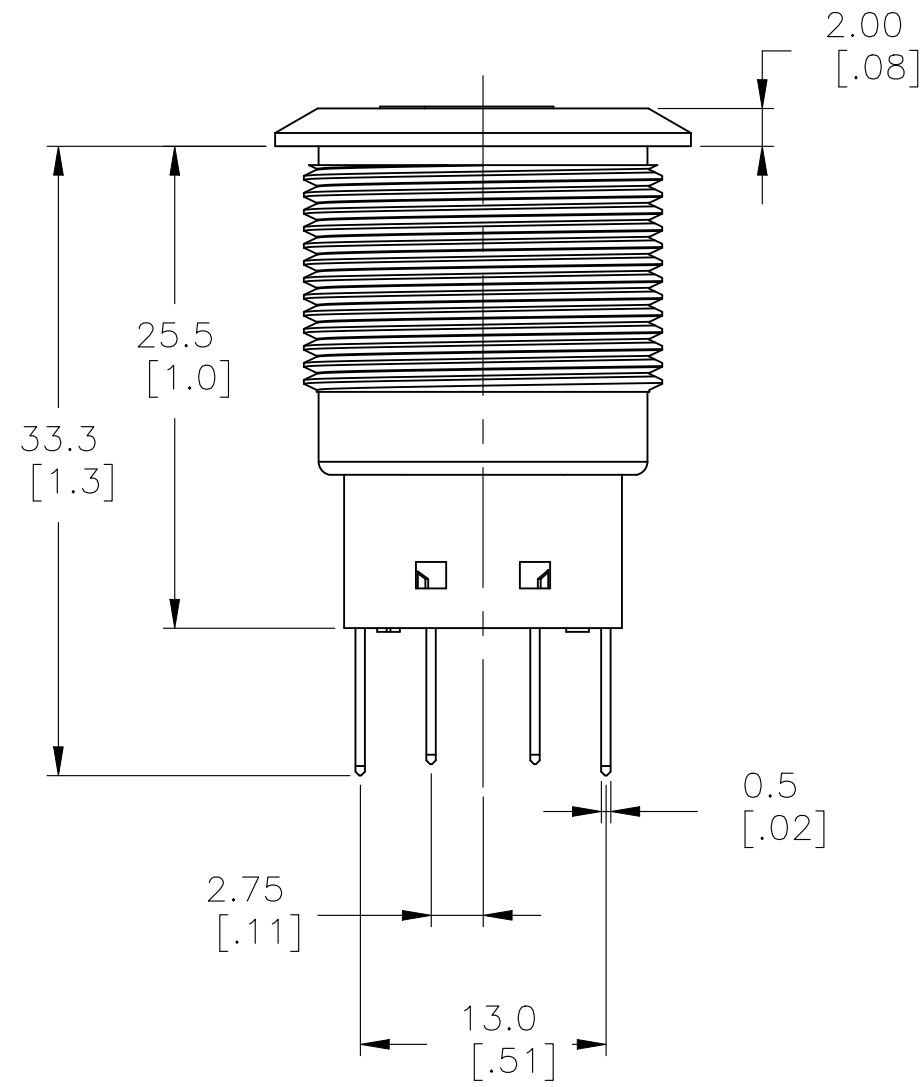
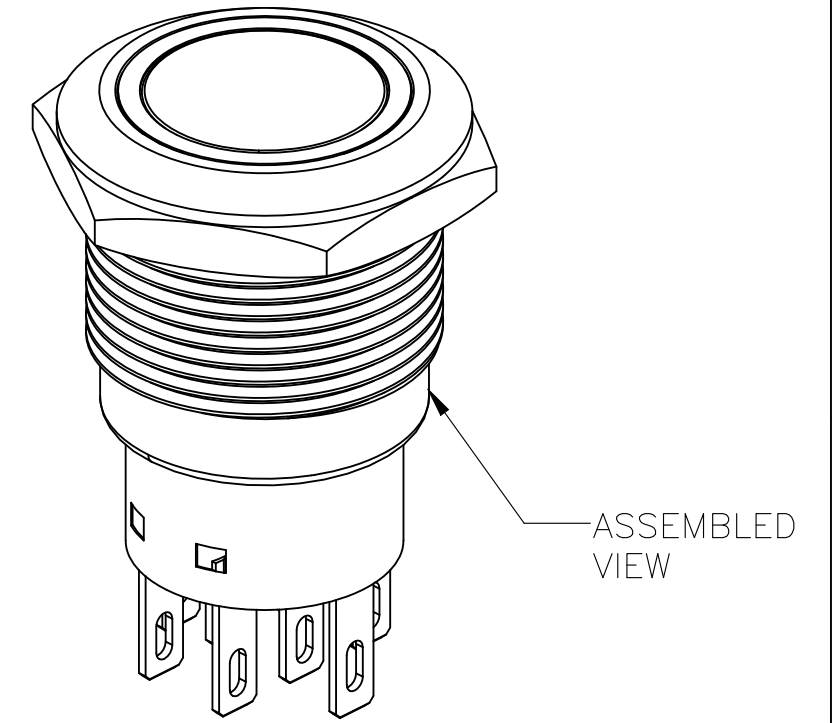
THIS DRAWING IS UNPUBLISHED. RELEASED FOR PUBLICATION  
 © COPYRIGHT - By - ALL RIGHTS RESERVED.

REVISIONS					
P	LTR	DESCRIPTION	DATE	DWN	APVD
-	-	SEE SHEET 1	-	-	-

### DOUBLE POLE SWITCH WITH DUAL COLOR LED'S



PANEL CUTOUT  
 MAX.PANEL THICKNESS: 10.00 [.394]



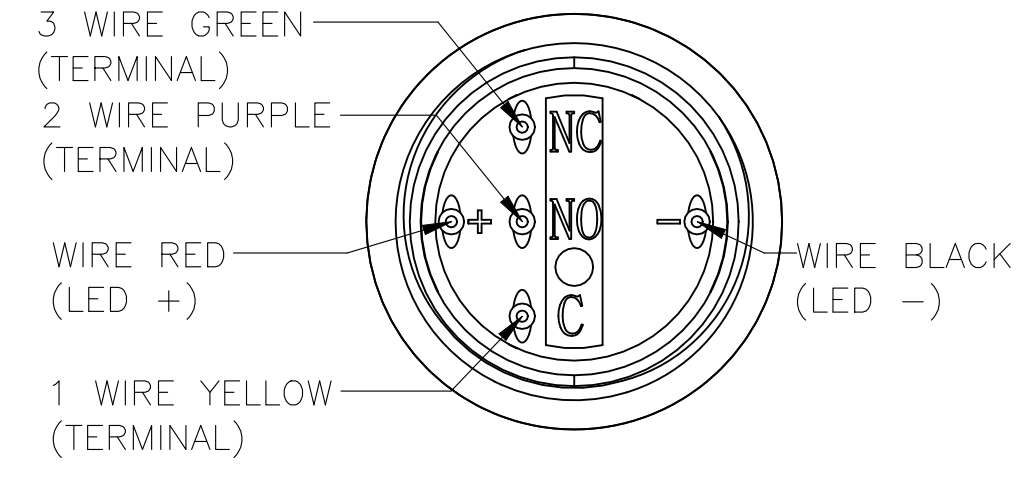
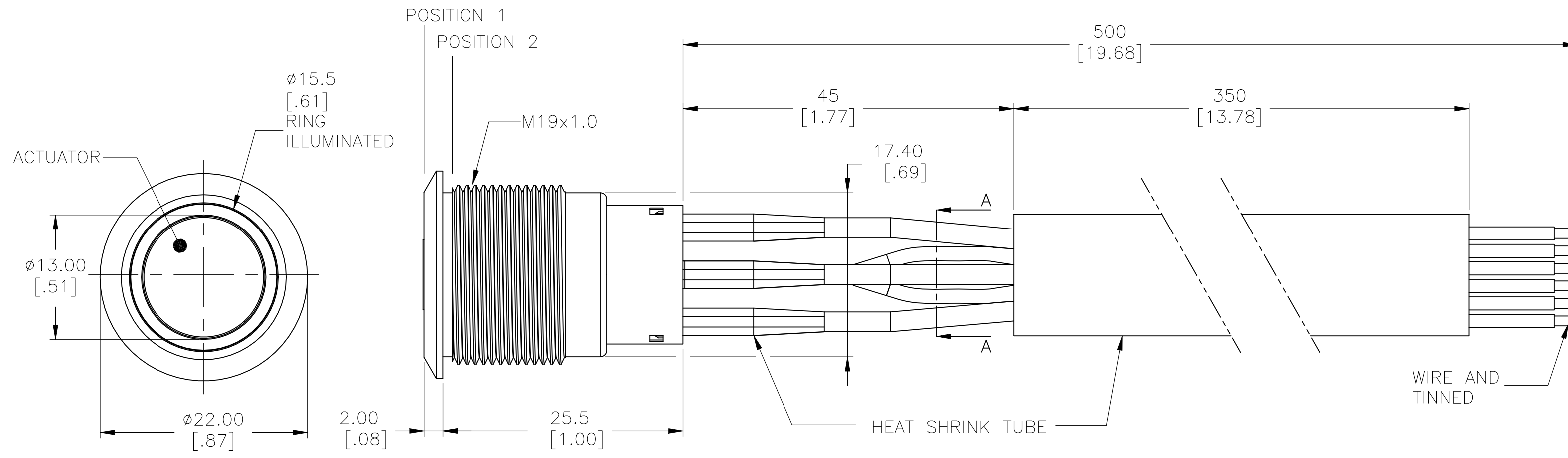
EXPLODED VIEW

THIS DRAWING IS A CONTROLLED DOCUMENT.		DWN 13MAR2017 SHIVAKUMAR S S	TE Connectivity	
DIMENSIONS: mm [INCHES]		CHK 13MAR2017 SANJAY SHINDIKAR		
TOLERANCES UNLESS OTHERWISE SPECIFIED:		APVD 13MAR2017 SANJAY SHINDIKAR	NAME ANTI-VANDAL SWITCH 19mm DUAL COLOR LED	
0 PLC ± -		PRODUCT SPEC -	SOLDER TERMINALS, FLYING LEADS, WITH MOVING RING	
1 PLC ± 0.4 [.016]		APPLICATION SPEC -	SIZE A2	CAGE CODE 00779
2 PLC ± 0.25 [.010]		WEIGHT -	DRAWING NO C=2316531	RESTRICTED TO -
3 PLC ± -		CUSTOMER DRAWING	SCALE 1:1	SHEET 2 of 5
4 PLC ± -				REV A1
ANGLES ± 2°				
FINISH -				

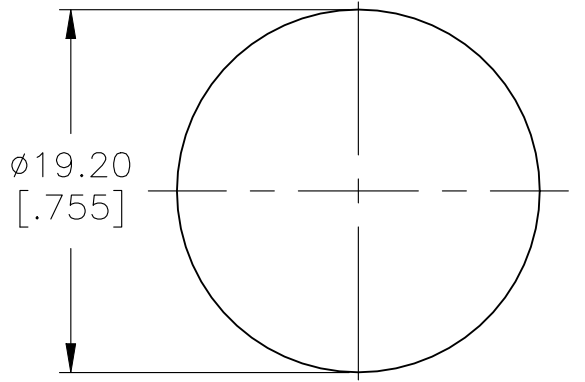
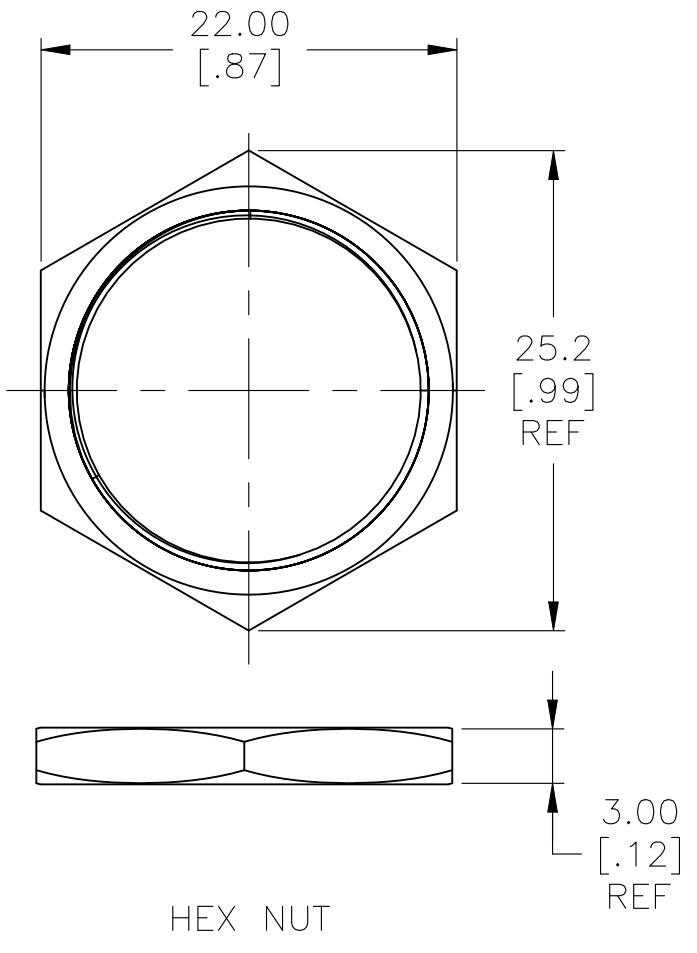
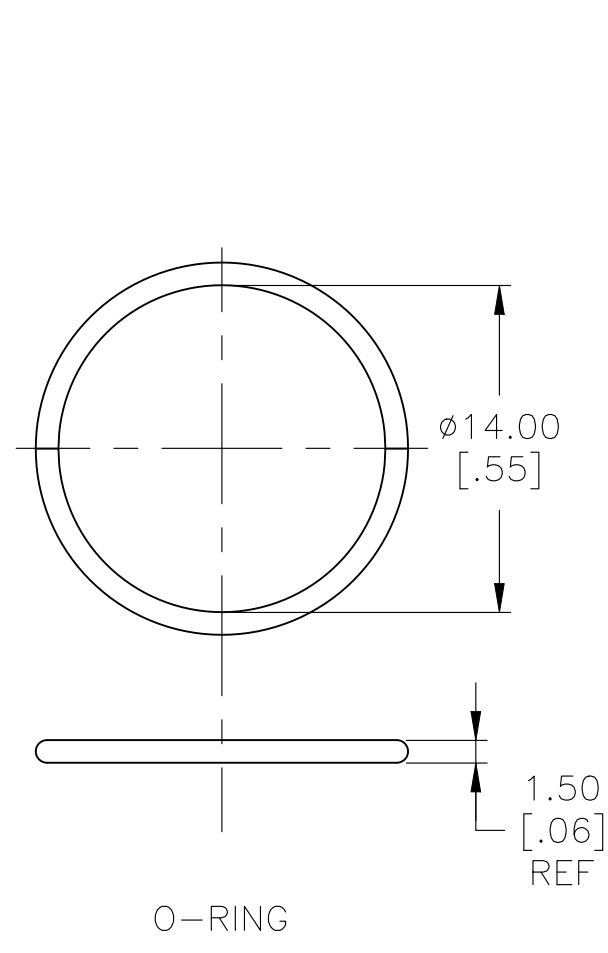
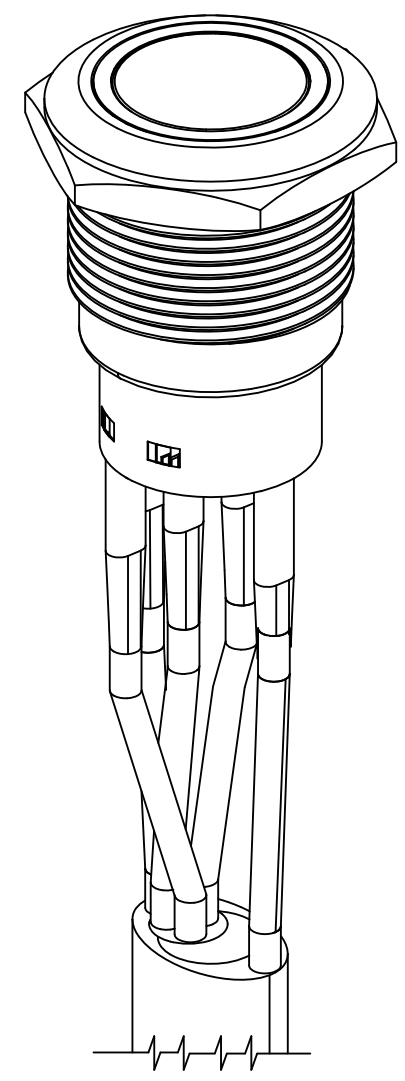
THIS DRAWING IS UNPUBLISHED. RELEASED FOR PUBLICATION  
 © COPYRIGHT - By - ALL RIGHTS RESERVED.

REVISIONS					
P	LTR	DESCRIPTION	DATE	DWN	APVD
-	-	SEE SHEET 1	-	-	-

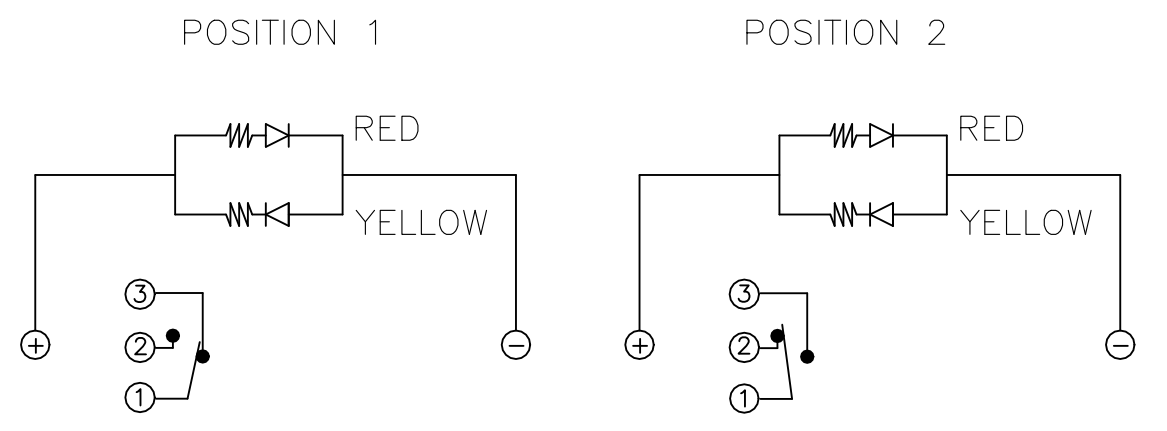
# SINGLE POLE SWITCH WITH DUAL COLOR LED'S AND FLYING LEADS



WIRE=18AWG, 300V(BLACK,YELLOW/GREEN/RED/PURPLE)



PANEL CUTOUT  
 MAX.PANEL THICKNESS: 10.00[.394]



ASSEMBLED VIEW

O-RING

HEX NUT

PANEL CUTOUT  
 MAX.PANEL THICKNESS: 10.00[.394]

POSITION 1

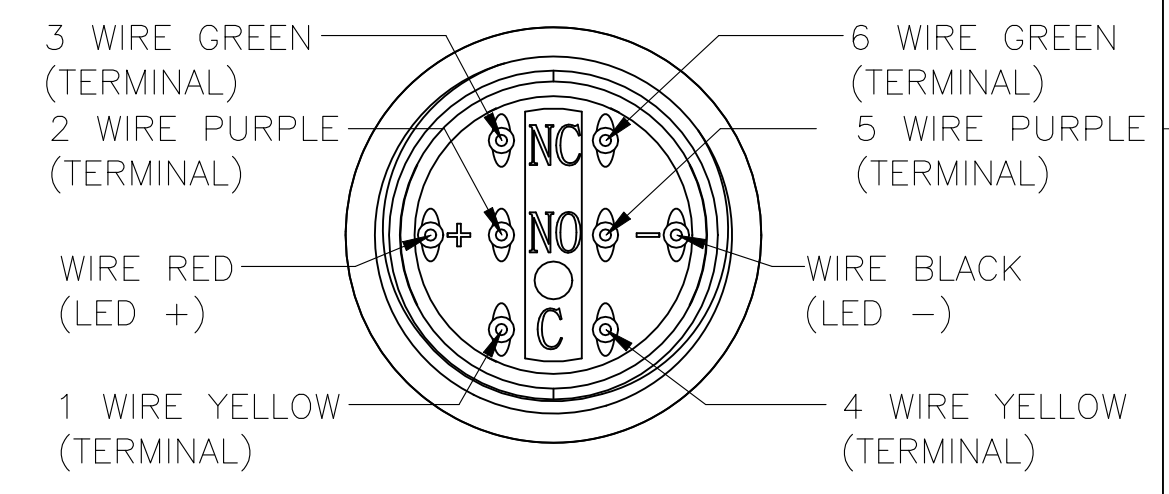
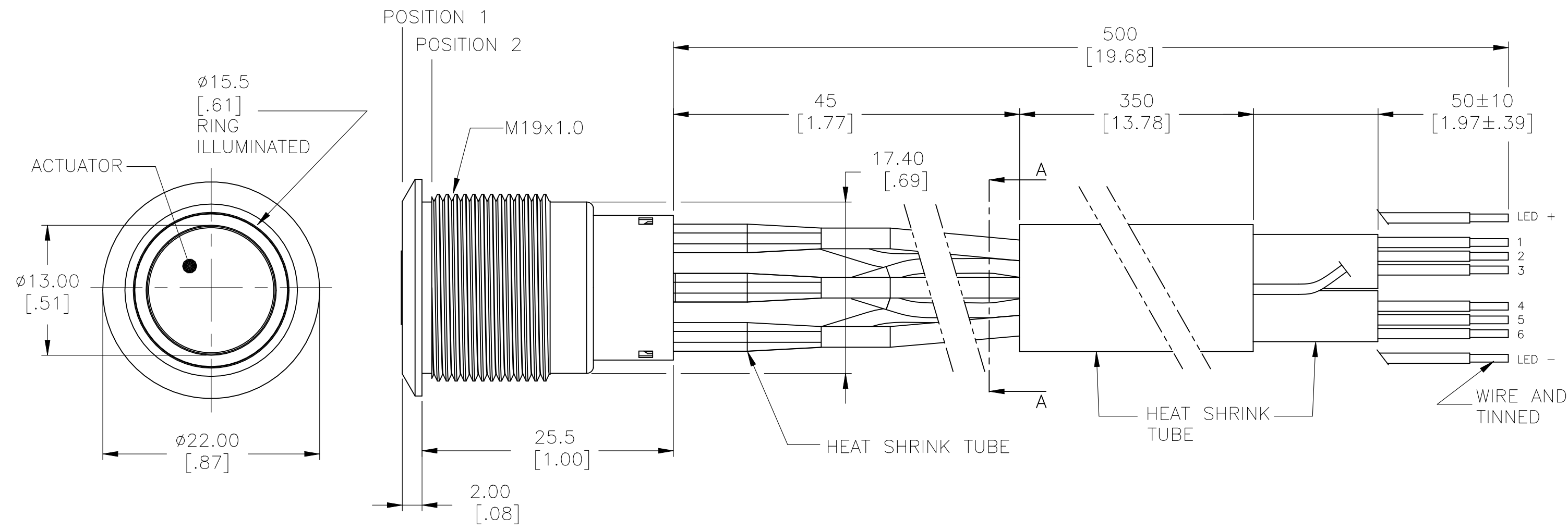
POSITION 2

THIS DRAWING IS A CONTROLLED DOCUMENT.		DWN SHIVAKUMAR S S	13MAR2017		 TE Connectivity
DIMENSIONS: mm [INCHES]		CHK SANJAY SHINDIKAR	13MAR2017		
TOLERANCES UNLESS OTHERWISE SPECIFIED:		APVD SANJAY SHINDIKAR	13MAR2017		
0 PLC ± - 1 PLC ± 0.4[.016] 2 PLC ± 0.25[.010] 3 PLC ± - 4 PLC ± - ANGLES ± 2°		PRODUCT SPEC	-		
MATERIAL		FINISH	WEIGHT	-	
-		-	CUSTOMER DRAWING	SCALE 1:1	SHEET 3 OF 5
NAME ANTI-VANDAL SWITCH 19mm DUAL COLOR LED SOLDER TERMINALS, FLYING LEADS, WITH MOVING RING			SIZE A2	CAGE CODE 00779	DRAWING NO C=2316531
RESTRICTED TO			REV A1		

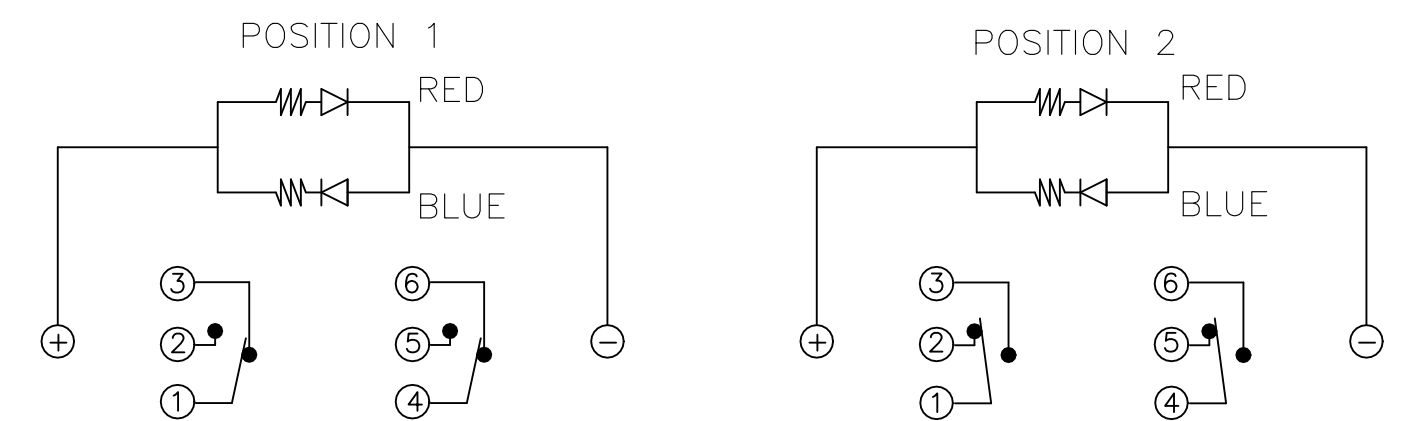
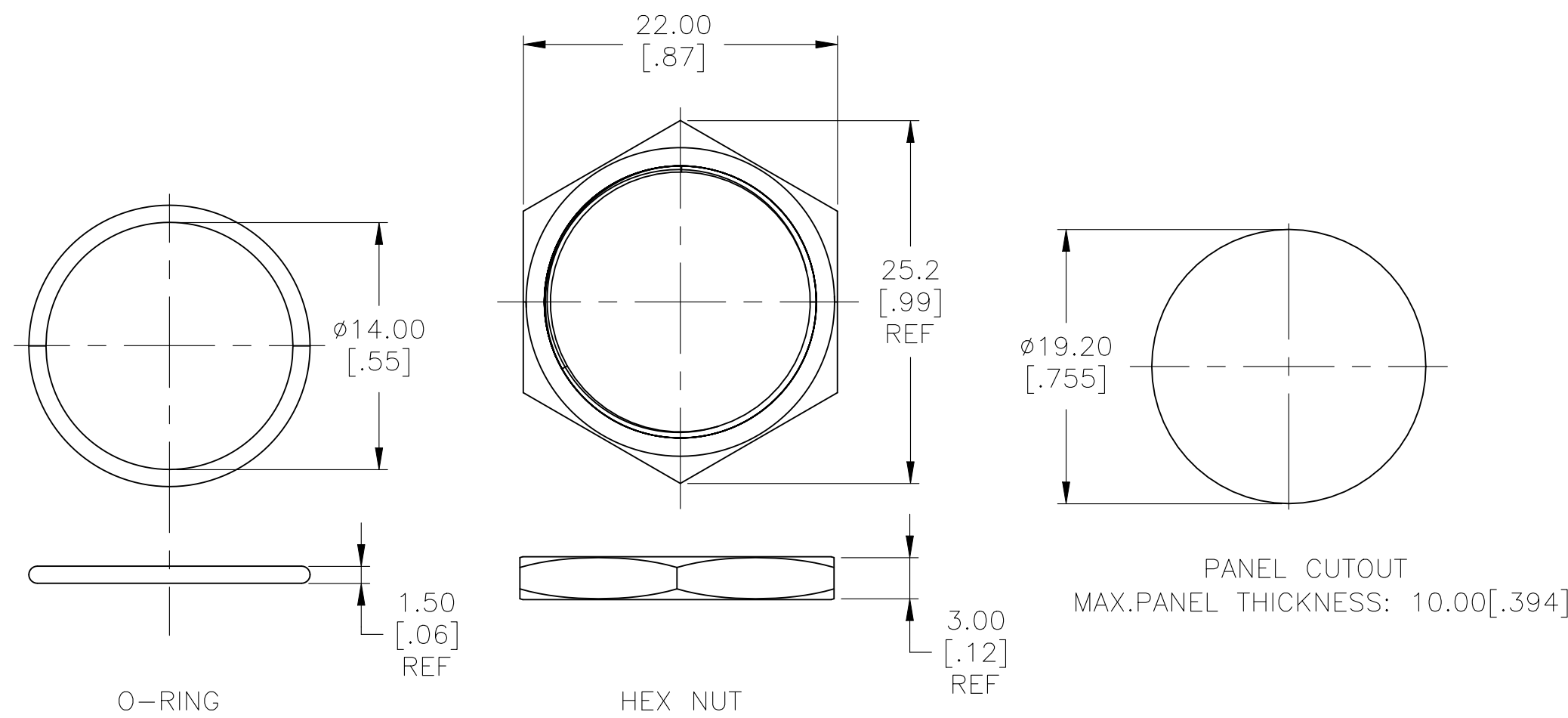
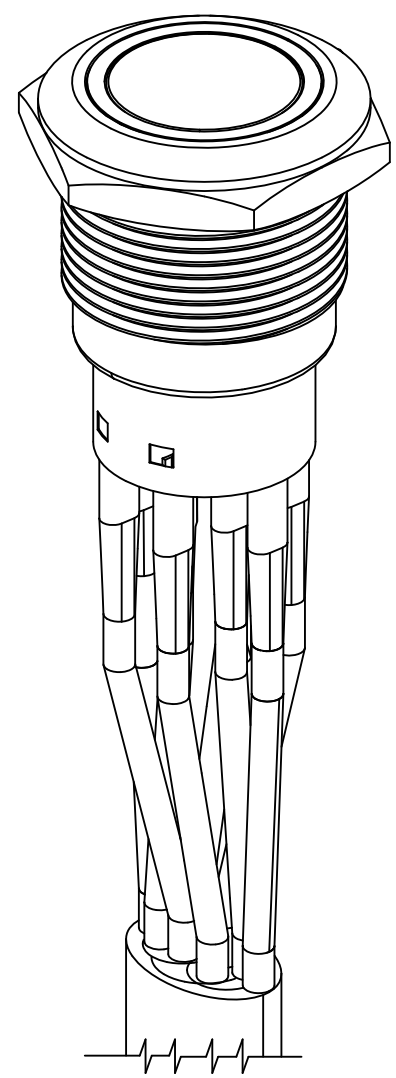
THIS DRAWING IS UNPUBLISHED. RELEASED FOR PUBLICATION  
 © COPYRIGHT - By - ALL RIGHTS RESERVED.

REVISIONS					
P	LTR	DESCRIPTION	DATE	DWN	APVD
-	-	SEE SHEET 1	-	-	-

# DOUBLE POLE SWITCH WITH DUAL COLOR LED'S AND FLYING LEADS



WIRE=18AWG, 300V(BLACK,YELLOW/GREEN/RED/PURPLE)



THIS DRAWING IS A CONTROLLED DOCUMENT.		DWN SHIVAKUMAR S S 13MAR2017	<b>STE</b> TE Connectivity	
DIMENSIONS: mm [INCHES]		CHK SANJAY SHINDIKAR 13MAR2017		
TOLERANCES UNLESS OTHERWISE SPECIFIED:		APVD SANJAY SHINDIKAR 13MAR2017	NAME ANTI-VANDAL SWITCH 19mm DUAL COLOR LED SOLDER TERMINALS, FLYING LEADS, WITH MOVING RING	
0 PLC ± -		PRODUCT SPEC	SIZE A2	
1 PLC ± 0.4[.016]		APPLICATION SPEC	CAGE CODE 00779	DRAWING NO C=2316531
2 PLC ± 0.25[.010]		WEIGHT	RESTRICTED TO	
3 PLC ± -		MATERIAL	SCALE 1:1	
4 PLC ± -		FINISH	SHEET 4 OF 5	
ANGLES ± 2°		CUSTOMER DRAWING	REV A1	

THIS DRAWING IS UNPUBLISHED. RELEASED FOR PUBLICATION  
 © COPYRIGHT - By - ALL RIGHTS RESERVED.

REVISIONS					
P	LTR	DESCRIPTION	DATE	DWN	APVD
-	-	SEE SHEET 1	-	-	-

CONTACT PLATING	LIGHT TYPE	TERMINAL OPTION	POLE/THROW	LED COLOR	LED VOLTAGE	TE DESCRIPTIVE PART NUMBER	TE PART NUMBER
SILVER	MOVING RING	FLYING LEAD TERMINALS	DOUBLE POLE - MOMENTARY	RED & YELLOW	24	AV1920EG24T5Q04	4-2316531-7
					12	AV1920EG12T5Q04	4-2316531-6
				RED & BLUE	24	AV1920EB24T5Q04	4-2316531-5
					12	AV1920EB12T5Q04	4-2316531-4
				RED & GREEN	24	AV1920EA24T5Q04	4-2316531-3
					12	AV1920EA12T5Q04	4-2316531-2
			SINGLE POLE - LOCKING	RED & YELLOW	24	AV1911EG24T5Q04	4-2316531-1
					12	AV1911EG12T5Q04	4-2316531-0
				RED & BLUE	24	AV1911EB24T5Q04	3-2316531-9
					12	AV1911EB12T5Q04	3-2316531-8
				RED & GREEN	24	AV1911EA24T5Q04	3-2316531-7
					12	AV1911EA12T5Q04	3-2316531-6
		SOLDER TERMINALS	DOUBLE POLE - MOMENTARY	RED & YELLOW	24	AV1910EG24T5Q04	3-2316531-5
					12	AV1910EG12T5Q04	3-2316531-4
				RED & BLUE	24	AV1910EB24T5Q04	3-2316531-3
					12	AV1910EB12T5Q04	3-2316531-2
				RED & GREEN	24	AV1910EA24T5Q04	3-2316531-1
					12	AV1910EA12T5Q04	3-2316531-0
			SINGLE POLE - LOCKING	RED & YELLOW	24	AV1920EG24Q04	1-2316531-8
					12	AV1920EG12Q04	1-2316531-7
				RED & BLUE	24	AV1920EB24Q04	1-2316531-6
					12	AV1920EB12Q04	1-2316531-5
				RED & GREEN	24	AV1920EA24Q04	1-2316531-4
					12	AV1920EA12Q04	1-2316531-3
SINGLE POLE - MOMENTARY	RED & YELLOW	24	AV1911EG24Q04	1-2316531-2			
		12	AV1911EG12Q04	1-2316531-1			
	RED & BLUE	24	AV1911EB24Q04	1-2316531-0			
		12	AV1911EB12Q04	2316531-9			
	RED & GREEN	24	AV1911EA24Q04	2316531-8			
		12	AV1911EA12Q04	2316531-7			
SOLDER TERMINALS	RED & YELLOW	24	AV1910EG24Q04	2316531-6			
		12	AV1910EG12Q04	2316531-5			
	RED & BLUE	24	AV1910EB24Q04	2316531-4			
		12	AV1910EB12Q04	2316531-3			
	RED & GREEN	24	AV1910EA24Q04	2316531-2			
		12	AV1910EA12Q04	2316531-1			

D

D

C

C

B

B

A

A

THIS DRAWING IS A CONTROLLED DOCUMENT.

DWN	13MAR2017	SHIVAKUMAR S S
CHK	13MAR2017	SANJAY SHINDIKAR
APVD	13MAR2017	SANJAY SHINDIKAR

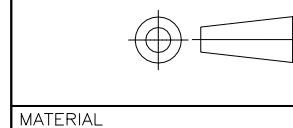
TE Connectivity

ANTI-VANDAL SWITCH 19mm DUAL COLOR LED SOLDER TERMINALS, FLYING LEADS, WITH MOVING RING

SIZE	A2	CAGE CODE	00779	DRAWING NO	C=2316531	RESTRICTED TO	-
SCALE	1:1	SHEET	5 of 5	REV	A1		

CUSTOMER DRAWING

DIMENSIONS:	TOLERANCES UNLESS OTHERWISE SPECIFIED:
mm [INCHES]	
0 PLC	± -
1 PLC	± 0.4[.016]
2 PLC	± 0.25[.010]
3 PLC	± -
4 PLC	± -
ANGLES	± 2°



MATERIAL	FINISH	WEIGHT
-	-	-