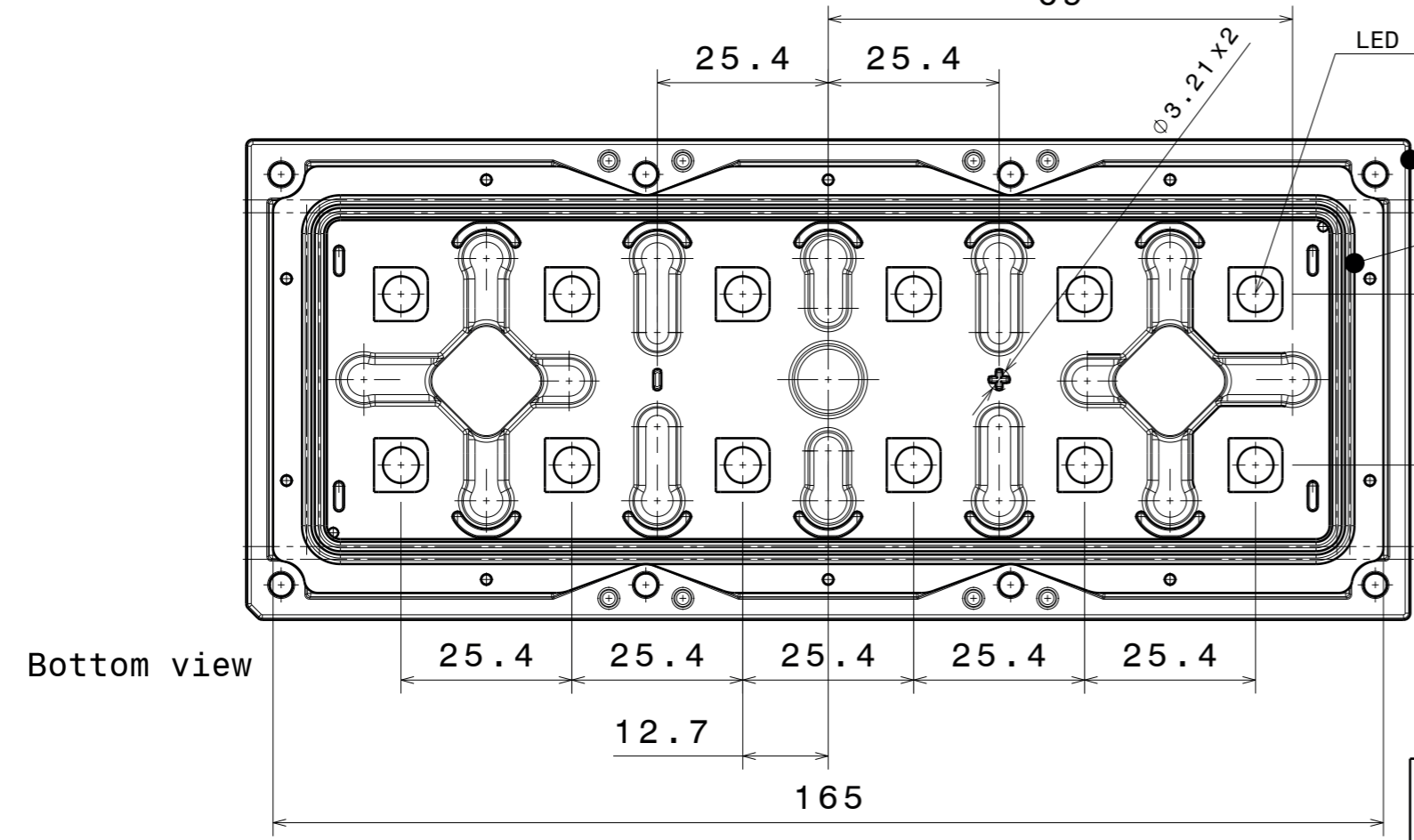
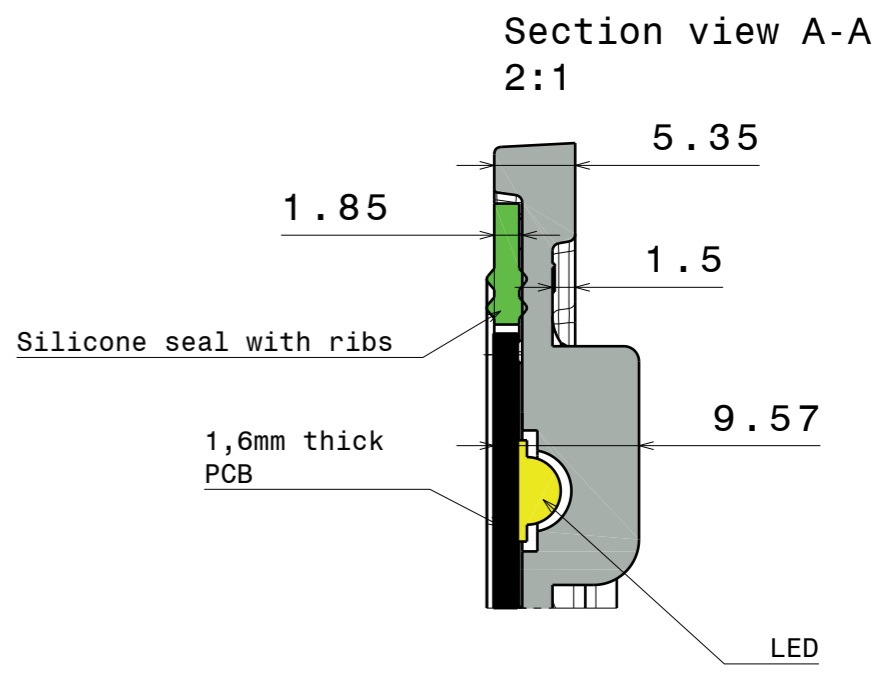
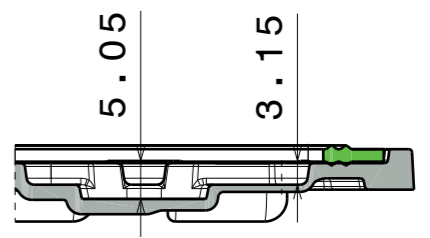


Asymmetric light direction indicator



LED position

Section view B-B



INDEX	PART NO	DESCRIPTION	MATERIAL	COLOUR
1	C15417	STRADA-IP-2x6-SCL	PMMA	clear
2	C14018	2X6-SEAL25	Silicone	white

Plastic moulding general tolerances according to DIN 16901-130 and applies if not otherwise shown in the drawing.
Silicone moulding general tolerances according to ISO 3302-1 Class M3 and applies if not otherwise shown in the drawing.

LEDiL LediL Oy
Salorankatu 10
FIN 24240 SALO
Finland

THIRD ANGLE PROJECTION:

DRAWING TITLE
CS15418_STRADA-IP-2X6-SCL

This drawing is the property of LEDiL Oy. It may not be reproduced, copied or communicated without a written agreement with LEDiL Oy.

SIZE PART NUMBER
A3 CS15418

SCALE 1:1 WEIGHT - SHEET 1/1