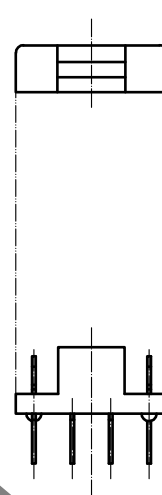
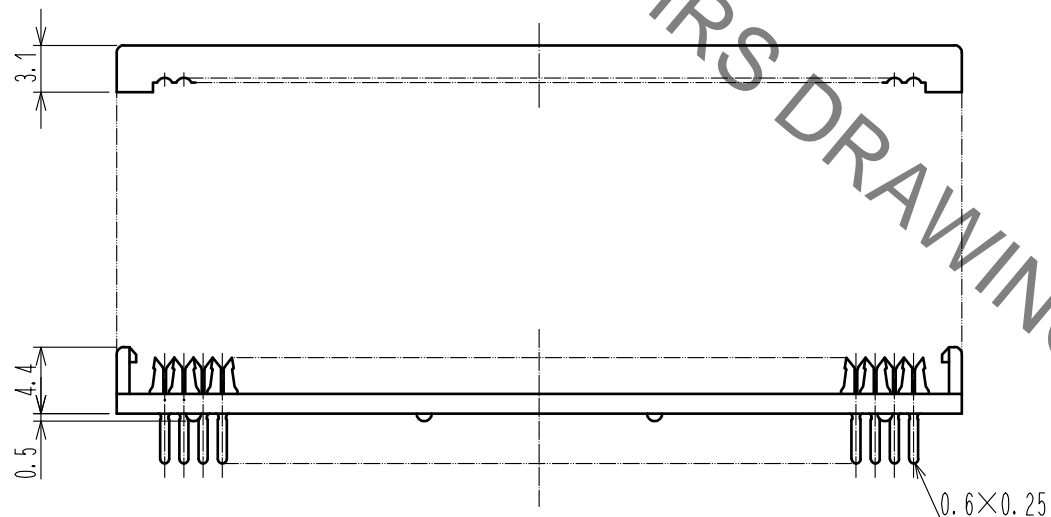
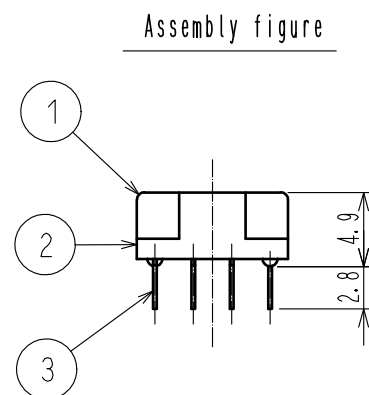
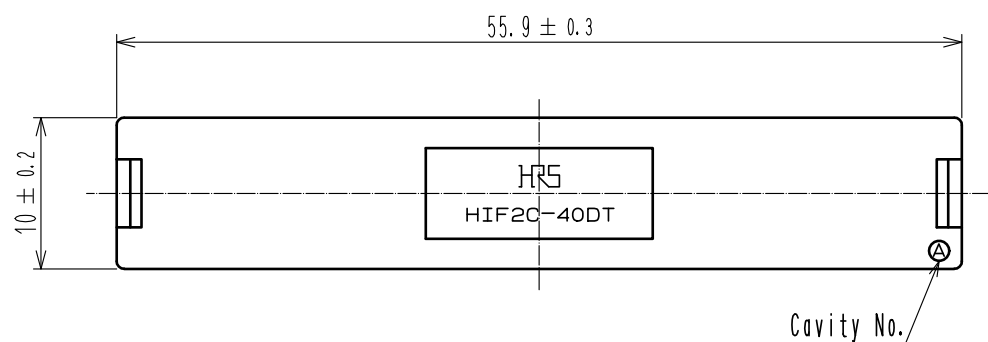
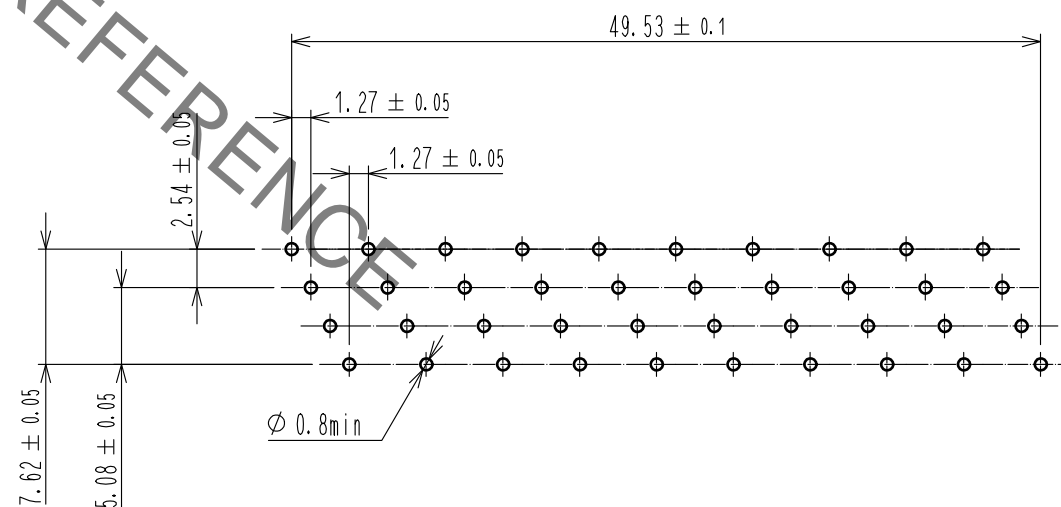
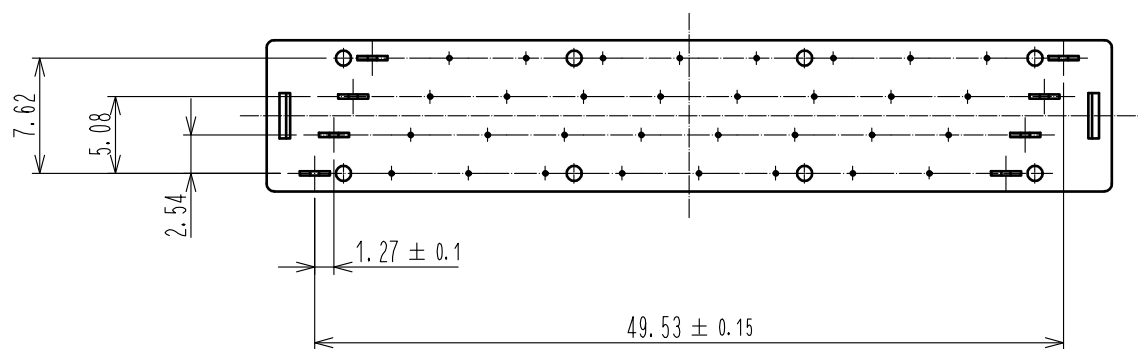


Aug.1.2019 Copyright 2019 HIROSE ELECTRIC CO., LTD. All Rights Reserved.  
 In case of consideration for using Automotive equipment / device which demand high reliability, kindly contact our sales window correspondents.



PC board hole pattern



2	PBT	BLACK		3	BERYLLIUM COPPER	Over plated : Gold		
1	PBT	BLACK				Under plated : Nickel		
NO.	MATERIAL	FINISH .	REMARKS	NO.	MATERIAL	FINISH .		
						REMARKS		
UNITS		SCALE	COUNT	DESCRIPTION OF REVISIONS		DESIGNED	CHECKED	DATE
mm		2 : 1						
<b>HRS</b> HIROSE ELECTRIC CO., LTD.		APPROVED : HT. YAMAGUCHI	18.06.25	DRAWING NO.		EDC-017272-00-00		
		CHECKED : HT. YAMAGUCHI	18.06.25	PART NO.		HIF2C-40DT-1.27R		
		DESIGNED : HR. NAGAYASU	18.06.22	CODE NO.		CL561-0087-0-00		
		DRAWN : MK. OOKI	18.06.21					1/1