

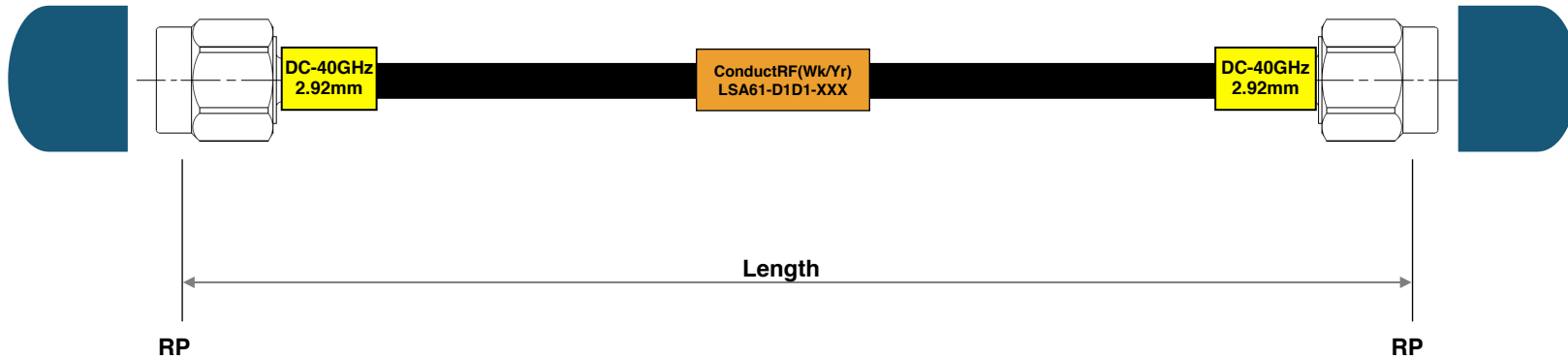
**Notes:**

1. Only RoHS Compliant Processes and Materials used for this assembly.
2. Marking to Contain "ConductRF", Part No. & Date Code BLACK Text on ORANGE Tube.
3. 100% Sweep Tested to 40GHz and Validated for VSWR and IL
4. Color Markers with Freq. range and Connector Series to be added to Ends as Shown

This document is the property of Conduct RF. The information contained herein is not to be disclosed or copied in whole or in part without the written consent of Conduct RF.

**ConductRF(Wk/Yr)**  
**LSA61-D1D1-XXX**

Marker Example




ConductRF # (XXX)	L(in.)	Max. Insertion Loss(dB)		
		18GHz	27GHz	40GHz
S06	06"	0.83	1.05	1.31
S09	09"	1.09	1.38	1.73
S12	12"	1.36	1.71	2.15
S18	18"	1.88	2.37	2.99
S24	24"	2.40	3.04	3.83
S36	36"	3.44	4.36	5.52
S72	72"	6.58	8.34	10.57
VSWR Max.		1.25:1		1.45:1

Part No. Configurator - XXX

FXX = Length in Feet (eg F03=3ft)  
SXX = Length in Inches (eg S18=18")  
XXM = Length in Meters (eg 2M5=2.5m)  
CXX = Length in CM (eg C50=50cm)

ITEM	DESCRIPTION	MATERIALS	FINISH
6	Caps	PVC	Blue
5	Strain Relief	CPA300 or Equiv.	Yellow
4	Label	SM3-23 1/4" 3:1	Orange
3	Hi-Freq. Flex Cable	A61SW	Black FEP
2	2.92mm Str Male	PDM12G-A28S01	Passivated
1	2.92mm Str Male	PDM12G-A28S01	Passivated

REV.	DESCRIPTION	ECN	DRAWN	DATE	Customer DWG	Title: 2.92mm M to 2.92mm M Flex Assembly - 0.086"				
4	Adjusted VSWR to support Short Lengths		DG	05/26/20	Remarks: 035/035/5	Originated: 02/18/16	Conduct RF sales@ConductRF.com Tel: +1 978 374 6840	Range: PCBL		Sheet 1 of 1
3	Added Length Options		DG	05/08/20				Dwg Ref: LSA61-D1D1		
2	Updated Marker Color & Notes		DG	09/29/17				Rev: 4		Part No: LSA61-D1D1-XXX
1	Pre-Release		DG	02/18/16	Length Tolerances: ≤24" = ±0.25" >24" = ± 1%	Checked: JW	Approved: PL			
REVISION HISTORY										