

SPECIFICATIONS

ELECTRICAL

ELECTRICAL ELEMENT	Conductive plastic
RESISTANCE	5KΩ ±20%
POWER RATING	0.08W @ 50°C
ELECTRICAL TRAVEL	220° ± 5° (110° off center)
MECHANICAL TRAVEL	260° centered
ROTATIONAL TORQUE	0.30 oz/in. max

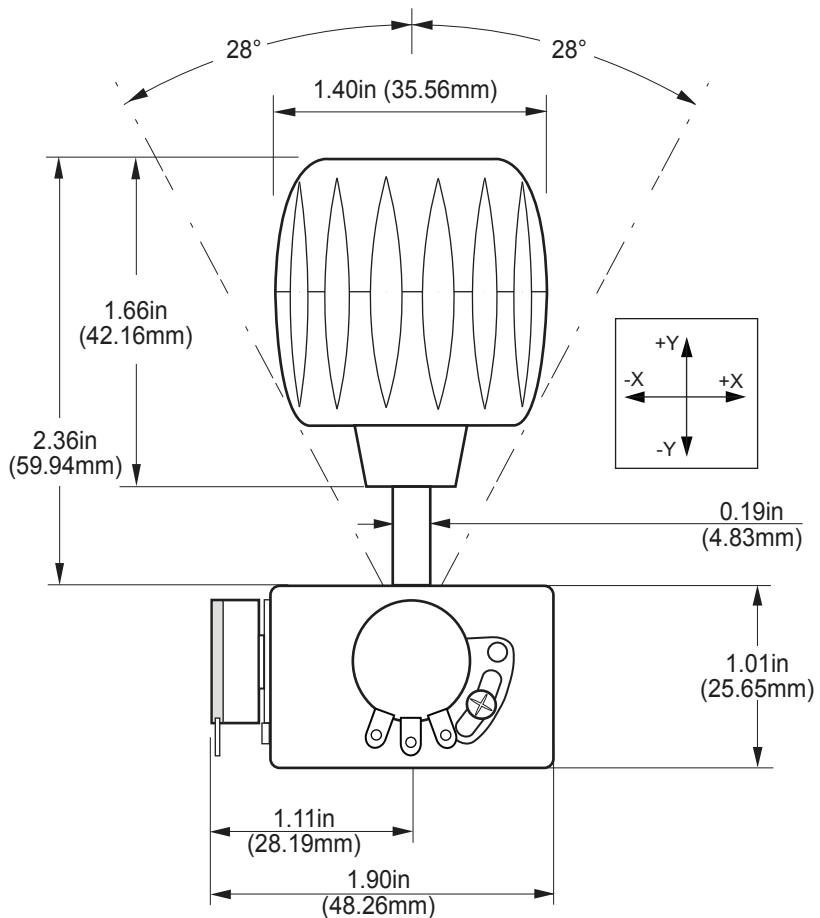
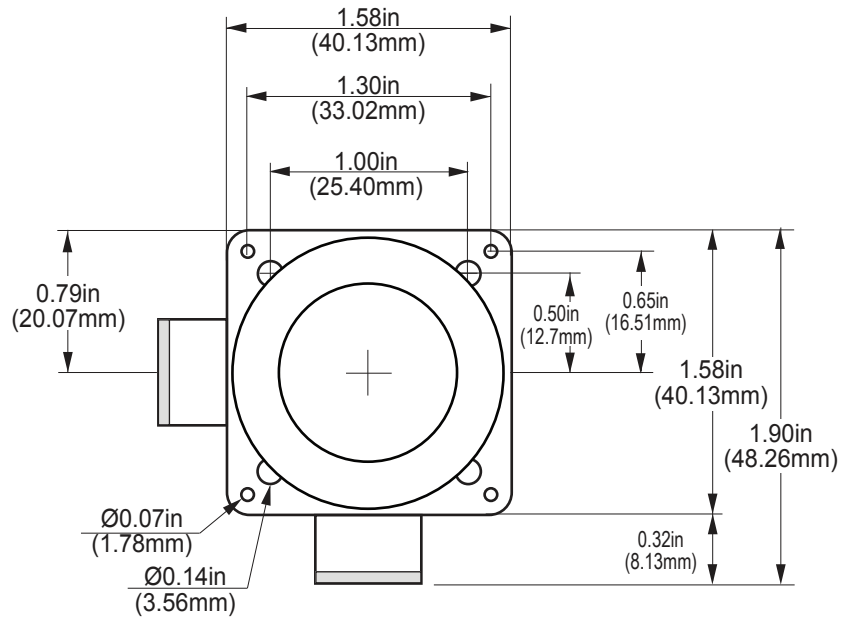
MECHANICAL

OPERATING TRAVEL	56° (28° from center)
CENTERING	Spring centering
BREAKOUT FORCE	0.029Nm
OPERATING FORCE	0.041Nm
MAXIMUM FORCE	0.062Nm
LIFE EXPECTANCY	2 million

WIRING

Z-AXIS: Red -	Supply
White -	Signal
Blue -	Return

RoHS compliant



CH
Products

P/N

M31C0M1P

REV
A

DESCRIPTION

Resistive Mini - 3 Axes, no Button

PROPRIETARY AND CONFIDENTIAL

THE INFORMATION CONTAINED IN THIS DRAWING IS THE SOLE PROPERTY OF CH PRODUCTS. ANY REPRODUCTION IN PART OR AS WHOLE WITHOUT THE WRITTEN PERMISSION OF CH PRODUCTS IS PROHIBITED.