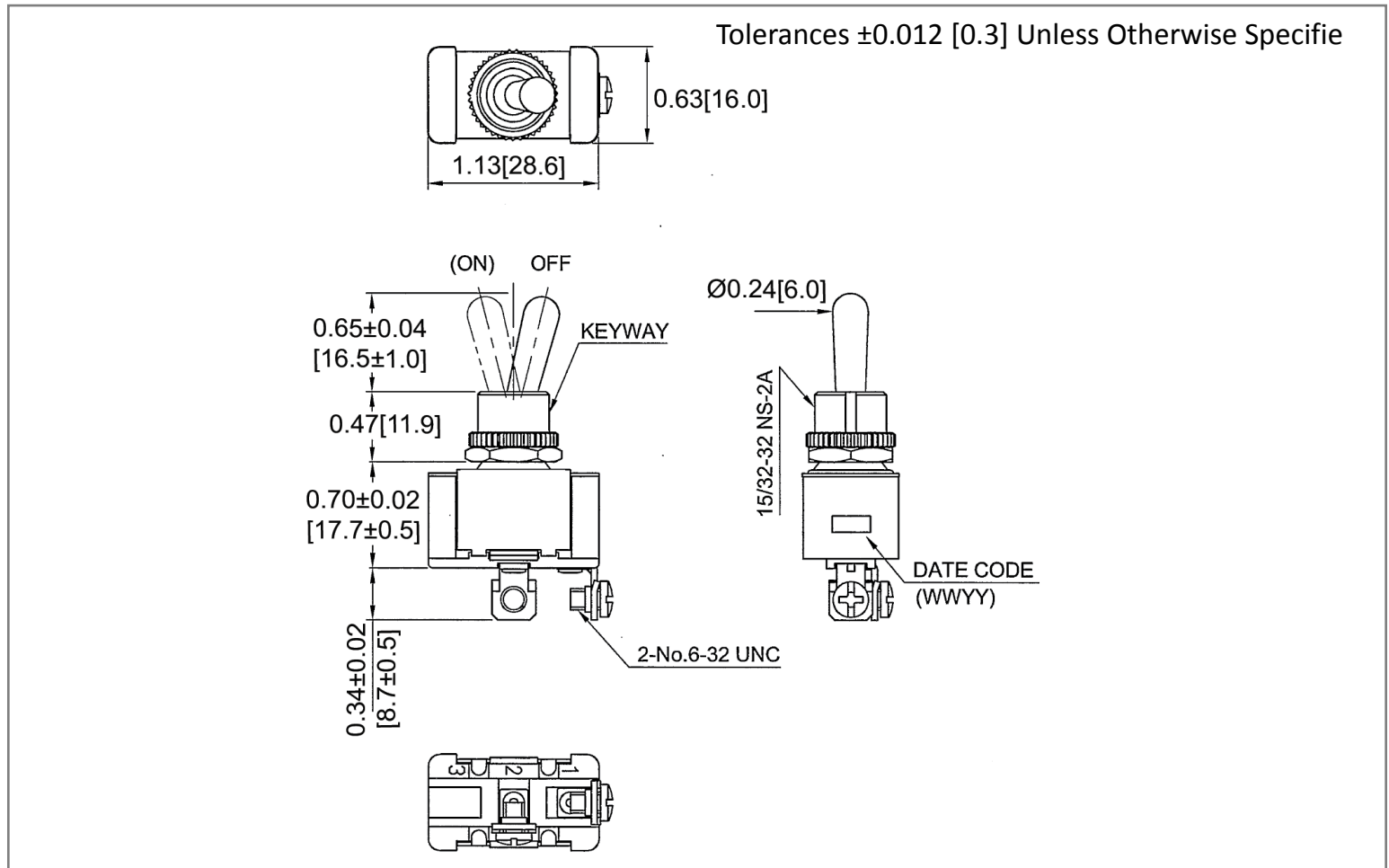
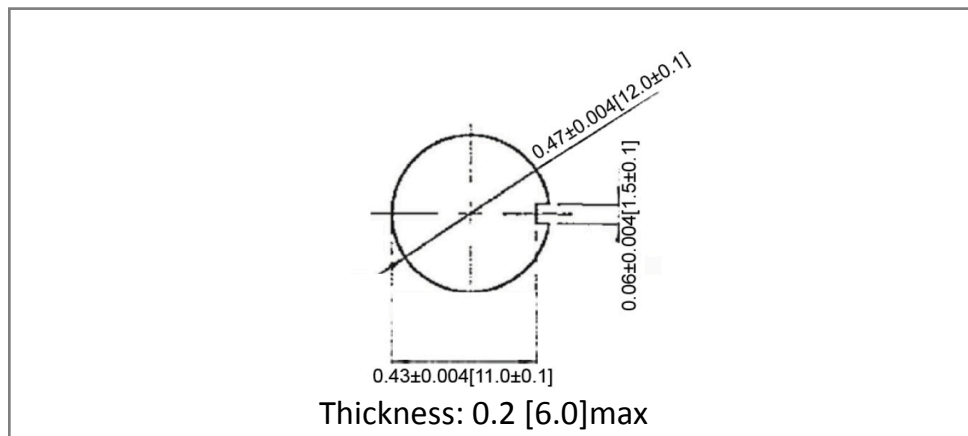


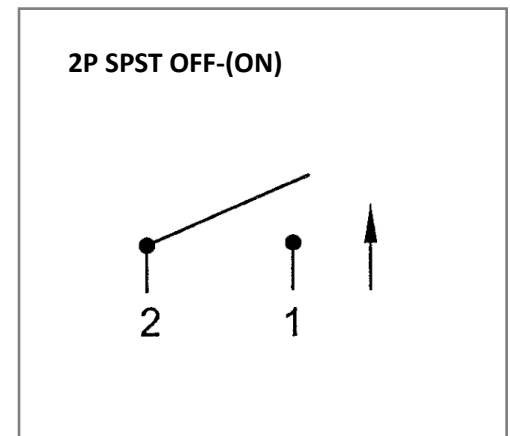
Mechanical Dimensions: Inches [mm]



Mounting Hol



Circuit Diagram



Electrical Specification

Rating	20A 125V AC, 10A 277V AC, 3/4HP 125-250V AC 12(4)A 125/250V AC
Contact Resistance	50m ohm Max
Insulation Resistance	DC 500V 100m ohm Min
Dielectric Strength	AC 1500V 1 minute
Operation Temperature	-20°C ~ 85°C

Material Specification

Operation Force	1100gf ± 400 gf
	1 knurl nut assy
	1 hex nut assy
	1 Internal O-Ring

Rev	Date of issue	Revision Notes	Designed	Approved
A	11-30-2021	Initial Drawing	RC	OF