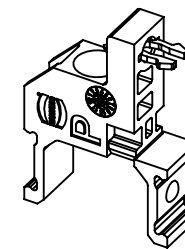
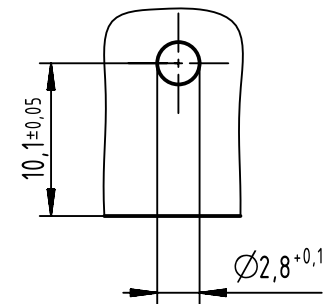



B
board drilling



	All rights reserved Department EL PD	All Dimensions in mm Original Size DIN A4		Scale 2:1	Free size tol.		Ref.	
		HARTING Electronics GmbH D-32339 Espelkamp	Created by HASELOH	Inspected by WOLF	Standardisation KOHLER	Date 2020-09-25	State Final Release	Sub.
Title har-modular P-module male angled with clip							Doc-Key / ECM-Nr. 100832639/UGD/001/D 500000180062	
Type TB				Number 02519000004			Rev. D	Page 1/1