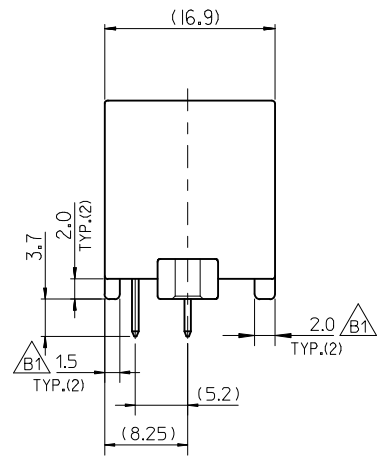
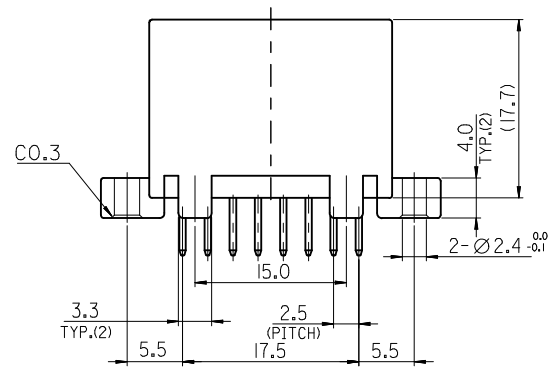


RECOMMENED P.C.B HOLE DIM.(MOUNT SIDE)

SECT. A-A



NOTES

- 1. APPLICABLE FEMALE HOUSING : 35563-1615
- 2. WARPAGE OF HOOD TO BE 0.2 MAX. OTHER WARPAGE TO BE 0.1 MAX.
- 3. MATERIAL: HOUSING-POLYESTER (PBT), COLOR-GRAY  
TERMINAL-BRASS, FINISH-TIN PLATING

REVISED DIMENSION EC NO: KTR2016-0046 DRWNS: JLEE06 2016/01/27 CHKDB: C. YOON 2016/01/27 APPR: JYCHO1 2016/02/25	QUALITY SYMBOLS $F_A=0$ $F_G=0$ $F_P=0$	GENERAL TOLERANCES (UNLESS SPECIFIED)		DIMENSION STYLE MM ONLY		SCALE 2:1	DESIGN UNITS METRIC	THIRD ANGLE PROJECTION	
			mm	INCH	DRAWN BY SJLEE06	DATE 2016/01/27	TITLE 040 WIRE TO BOARD CONNECTOR 16P HEADER ASSY (VTL)		
			± ---	± ---	CHECKED BY B.K. CHO1	DATE 1999/05/12			
			± 0.20	± ---	APPROVED BY JYCHO1	DATE 2016/02/25			
	± 0.30	± ---	MATERIAL NO. 681451615		DOCUMENT NO. SD-68145-001		SHEET NO. 1 OF 1		
	± ---	± ---	ANGULAR ± 1 °		THIS DRAWING CONTAINS INFORMATION THAT IS PROPRIETARY TO MOLEX INCORPORATED AND SHOULD NOT BE USED WITHOUT WRITTEN PERMISSION				
			DRAFT WHERE APPLICABLE MUST REMAIN WITHIN DIMENSIONS						