

MATERIAL NUMBER	# OF COLUMNS	# OF DIFF PAIR	DIM "A" MAX	DIM "B"
76450-*10*	10	20	26.60	17.10
76450-*60*	16	32	38.00	28.50

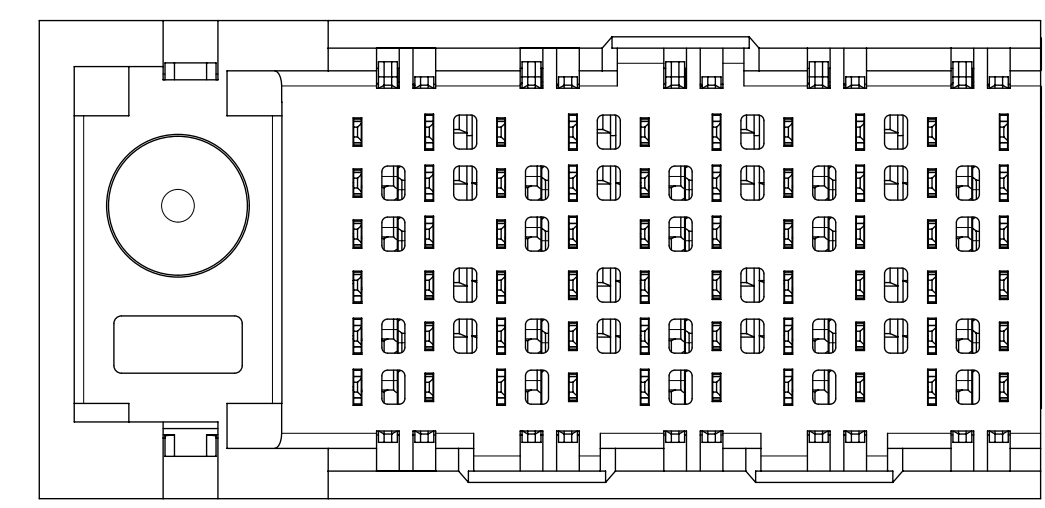
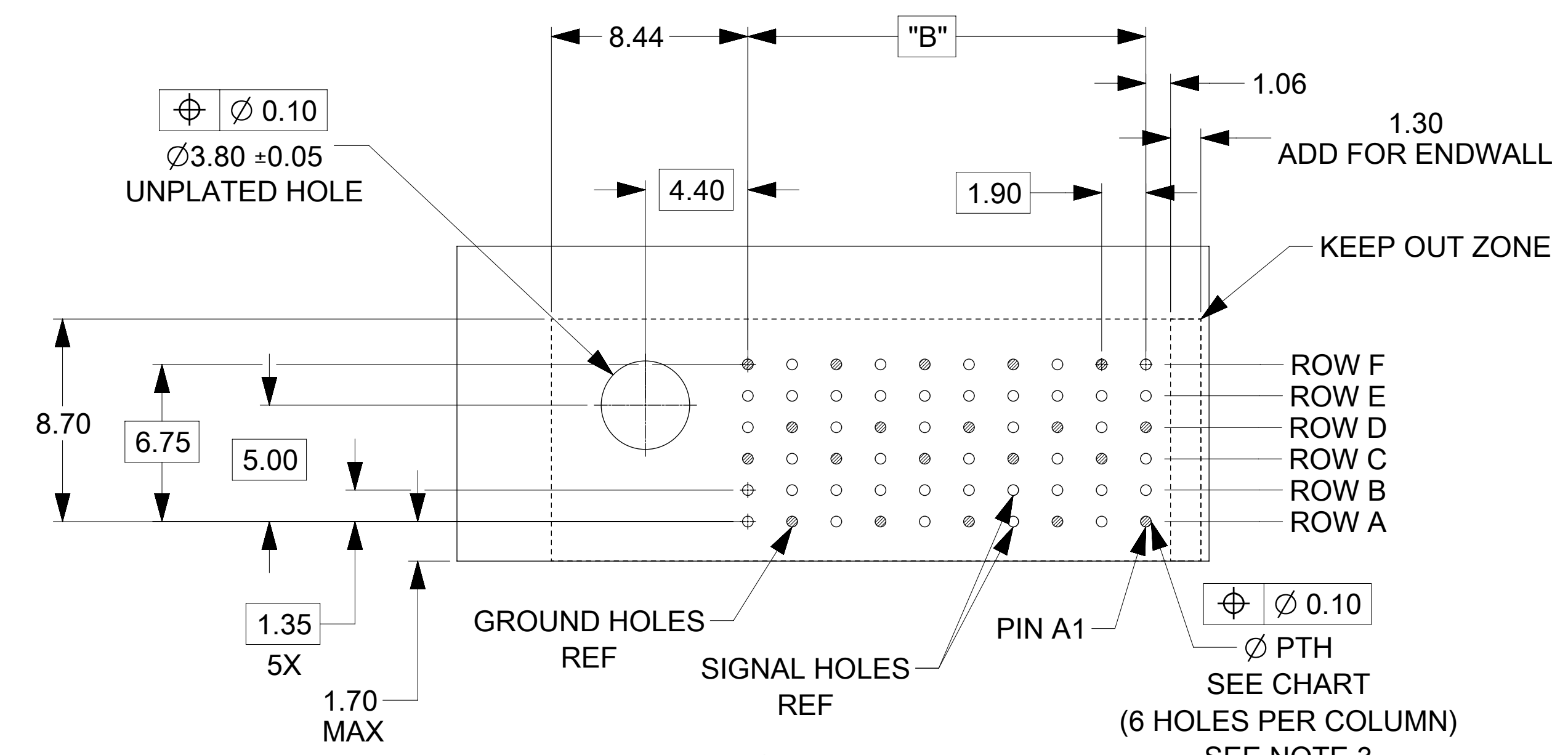
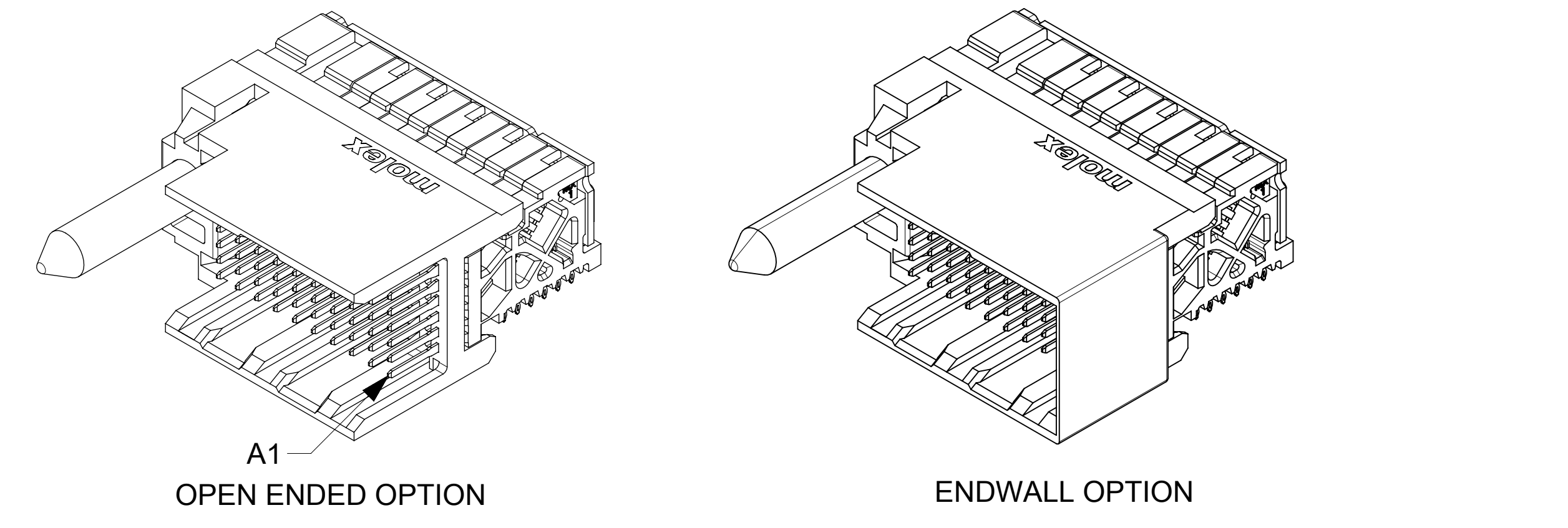
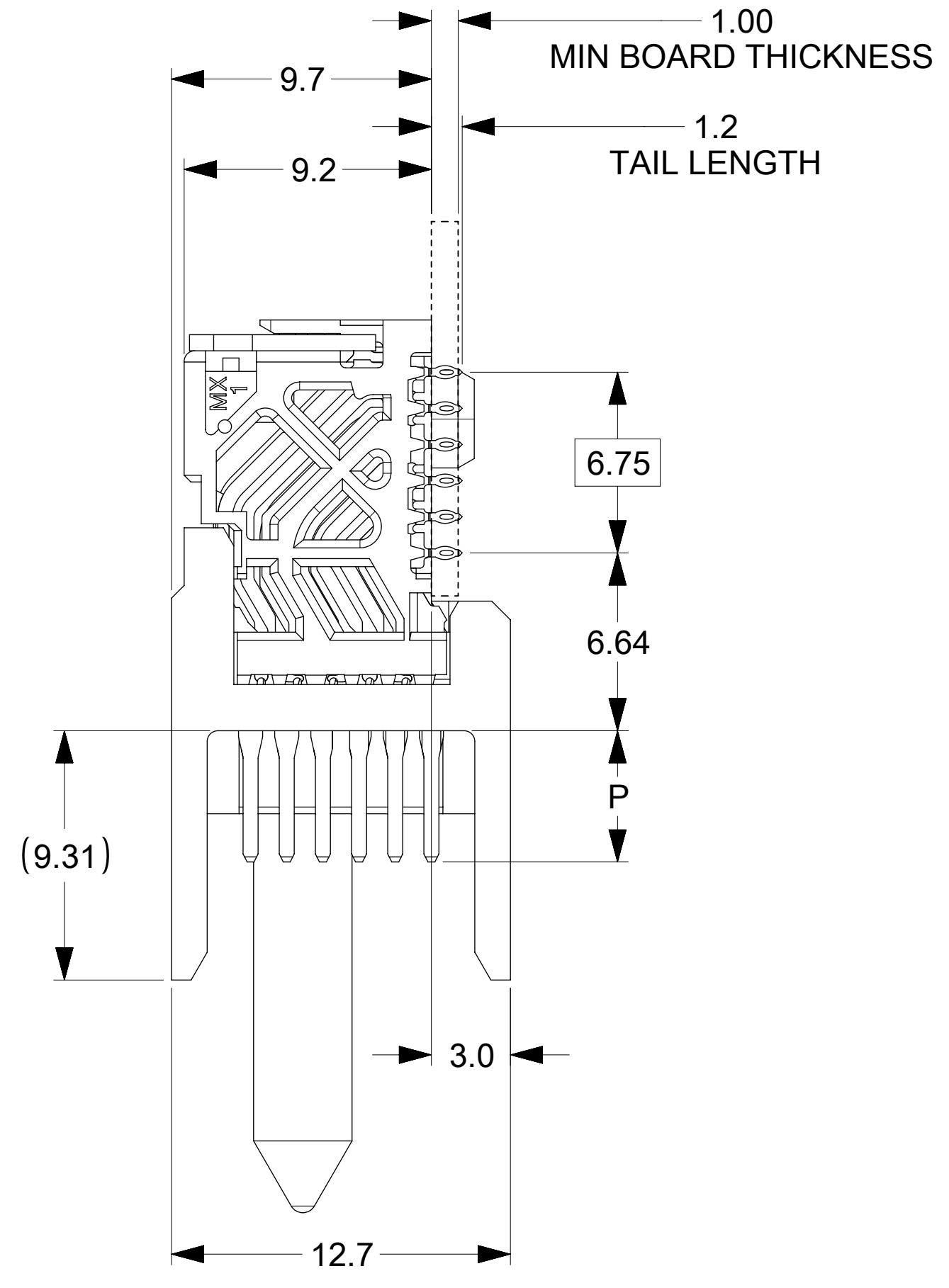
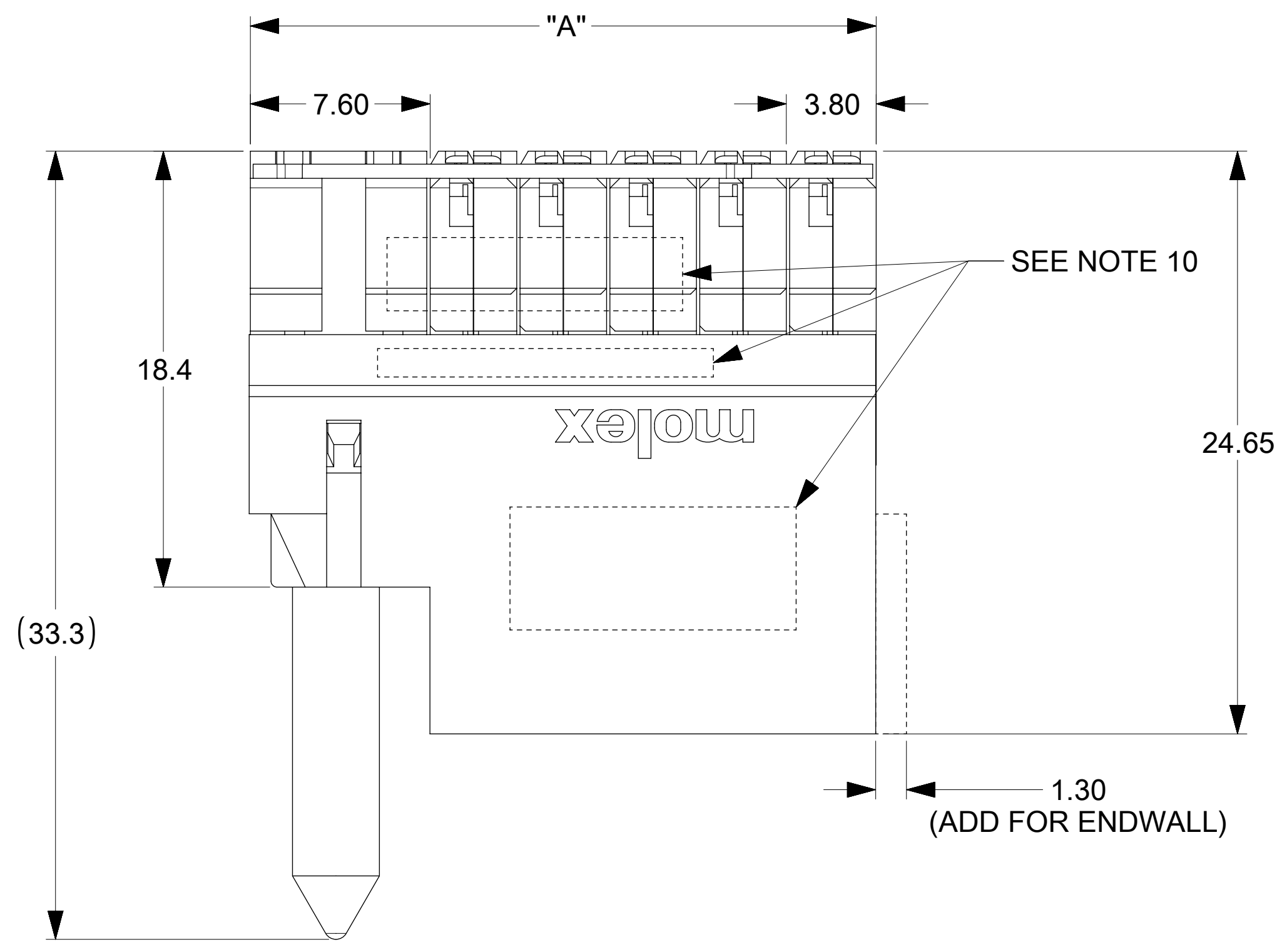
**76450-\*\*0\***

MODULE TYPE  
 3 = LEFT GUIDED LEAD-FREE  
 7 = LEFT GUIDED LEAD-FREE W/ ENDWALL

PIN LENGTH (P)  
 4 = 4.90 (0.46 PTH)  
 5 = 5.50 (0.46 PTH)  
 7 = 4.90 (0.39 PTH)  
 8 = 5.50 (0.39 PTH)

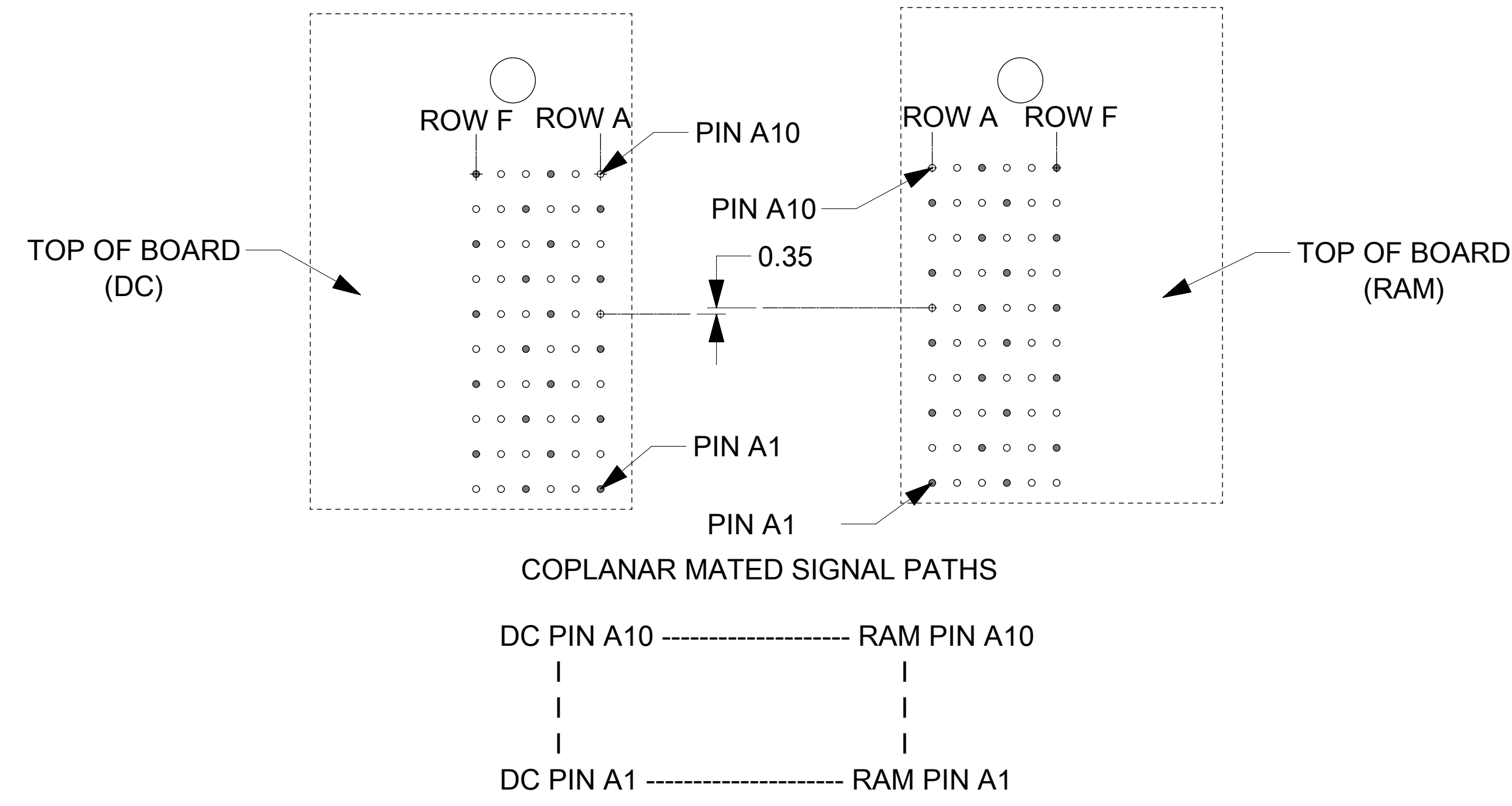
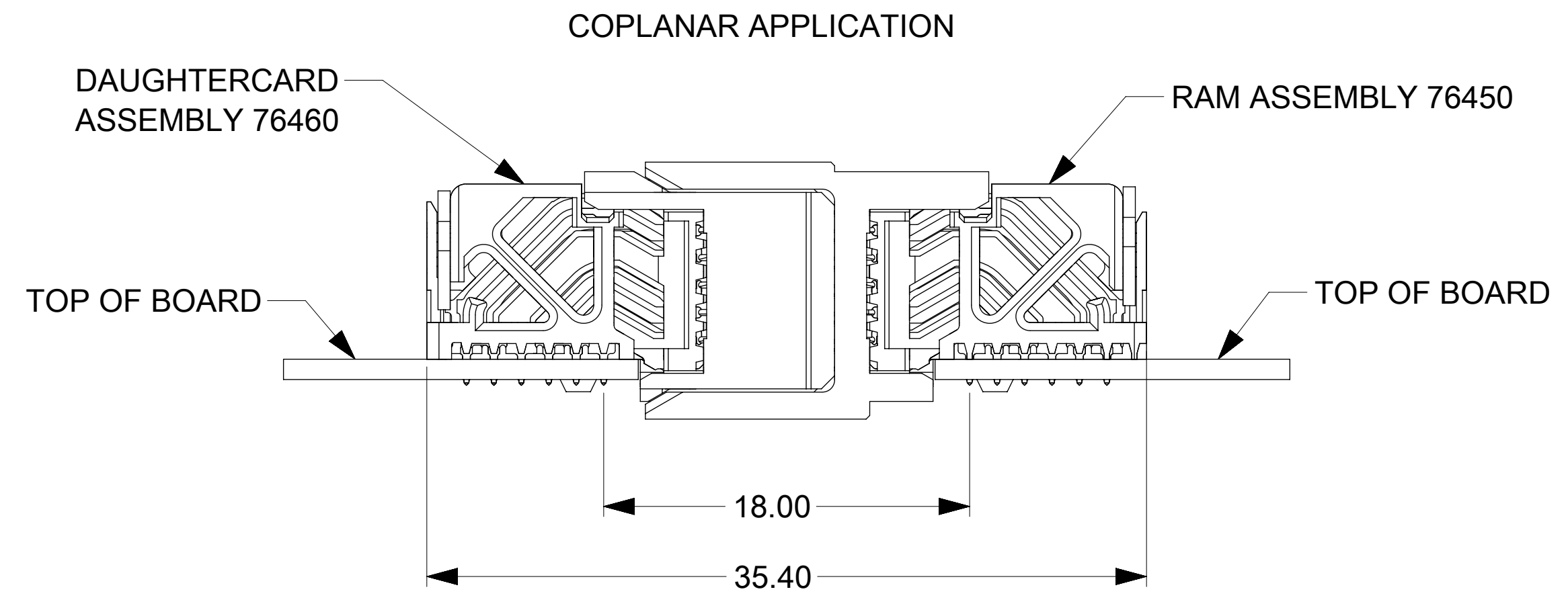
# OF COLUMNS  
 1 = 10 COL  
 6 = 16 COL

- NOTES:
- MATERIALS: HOUSING - LIQUID CRYSTAL POLYMER (LCP), GLASS-FILLED, UL94V-0  
 TERMINALS - HIGH PERFORMANCE COPPER ALLOY
  - FINISH: 30µin SELECTIVE GOLD IN CONTACT AREA, SELECTIVE TIN ON PCB TAILS, NICKEL OVERALL.
  - FOR FURTHER INFORMATION SEE PRODUCT SPECIFICATION PS-76060-999..
  - EACH SIGNAL WAFER CONTAINS 2 COLUMNS OF TERMINALS.
  - PRODUCT TO BE PACKAGED PER PACKAGING SPECIFICATION PK-70873-077.
  - THIS PART CONFORMS TO CLASS B REQUIREMENTS OF COSMETIC SPEC PS-45499-002.
  - REFER TO MOLEX SALES DRAWING SD-76460-004 FOR MATING DAUGHTERCARDS.
  - REFER TO MOLEX PCB ROUTING GUIDE AS-76060-990 FOR ANTIPAD AND ROUTING RECOMMENDATIONS.
  - WHEN USING MOLEX SUPPLIED #2-32 SCREW 73726-0005 (7.62 +0.38/-0.76 mm THREADABLE SCREW LENGTH), THE BOARD THICKNESS RANGE IS 1.60 TO 3.85 mm.
  - MARKING: LOCATED APPROXIMATELY AS SHOWN. PART NUMBER AND DATE CODE.



THIS DRAWING CONTAINS INFORMATION THAT IS PROPRIETARY TO MOLEX ELECTRONIC TECHNOLOGIES, LLC AND SHOULD NOT BE USED WITHOUT WRITTEN PERMISSION

DIMENSION UNITS: mm	SCALE: NTS	CURRENT REV DESC: MIGRATED TO NX	<b>molex</b>		
GENERAL TOLERANCES (UNLESS SPECIFIED)		EC NO: 705090			
ANGULAR TOL ± 0.5°	4 PLACES ±	DRWN: PSHANKARACHA 2019/03/13	PRODUCT CUSTOMER DRAWING		
3 PLACES ±	3 PLACES ±	CHK'D: VINODM3 2022/03/31	DOCUMENT NUMBER	DOC TYPE	DOC PART
2 PLACES ± 0.13	2 PLACES ±	APPR: LZENG 2022/05/13	SD-76450-002	PSD	001
1 PLACE ± 0.25	1 PLACE ±	INITIAL REVISION:	REVISION		
0 PLACES ±	0 PLACES ±	DRWN: MCARRANZA 2008/02/21			
DRAFT WHERE APPLICABLE MUST REMAIN WITHIN DIMENSIONS	THIRD ANGLE PROJECTION	APPR: JLAURX 2009/04/17	MATERIAL NUMBER	CUSTOMER	SHEET NUMBER
			SEE TABLE	GENERAL MARKET	1 OF 2



THIS DRAWING CONTAINS INFORMATION THAT IS PROPRIETARY TO MOLEX ELECTRONIC TECHNOLOGIES, LLC AND SHOULD NOT BE USED WITHOUT WRITTEN PERMISSION																	
DIMENSION UNITS		SCALE		CURRENT REV DESC: MIGRATED TO NX													
mm		NTS		<div style="text-align: center;"><b>molex</b></div> <p>IMPACT 100 OHM 2 PAIR RAM LEFT GUIDED SALES DRAWING</p> <p>PRODUCT CUSTOMER DRAWING</p> <table border="1" style="width: 100%;"> <tr> <td>DOCUMENT NUMBER</td> <td>DOC TYPE</td> <td>DOC PART</td> <td>REVISION</td> </tr> <tr> <td style="text-align: center;">SD-76450-002</td> <td style="text-align: center;">PSD</td> <td style="text-align: center;">001</td> <td style="text-align: center;">B7</td> </tr> </table>						DOCUMENT NUMBER	DOC TYPE	DOC PART	REVISION	SD-76450-002	PSD	001	B7
DOCUMENT NUMBER	DOC TYPE	DOC PART	REVISION														
SD-76450-002	PSD	001	B7														
GENERAL TOLERANCES (UNLESS SPECIFIED)																	
ANGULAR TOL	±	0.5°															
4 PLACES	±																
3 PLACES	±																
2 PLACES	±	0.13															
1 PLACE	±	0.25															
0 PLACES	±																
DRAFT WHERE APPLICABLE MUST REMAIN WITHIN DIMENSIONS		THIRD ANGLE PROJECTION		DRAWING		SERIES		MATERIAL NUMBER									
				D-SIZE		76450		SEE TABLE									
DOCUMENT STATUS		RELEASE DATE		CUSTOMER		SHEET NUMBER											
P1		2022/05/13 03:06:33		GENERAL MARKET		2 OF 2											