

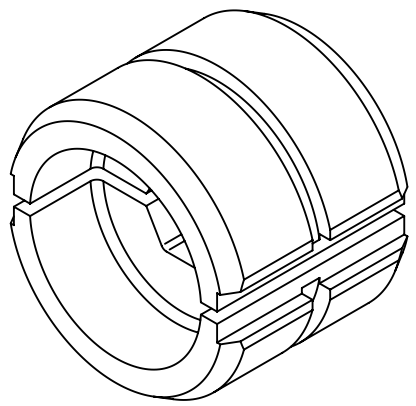
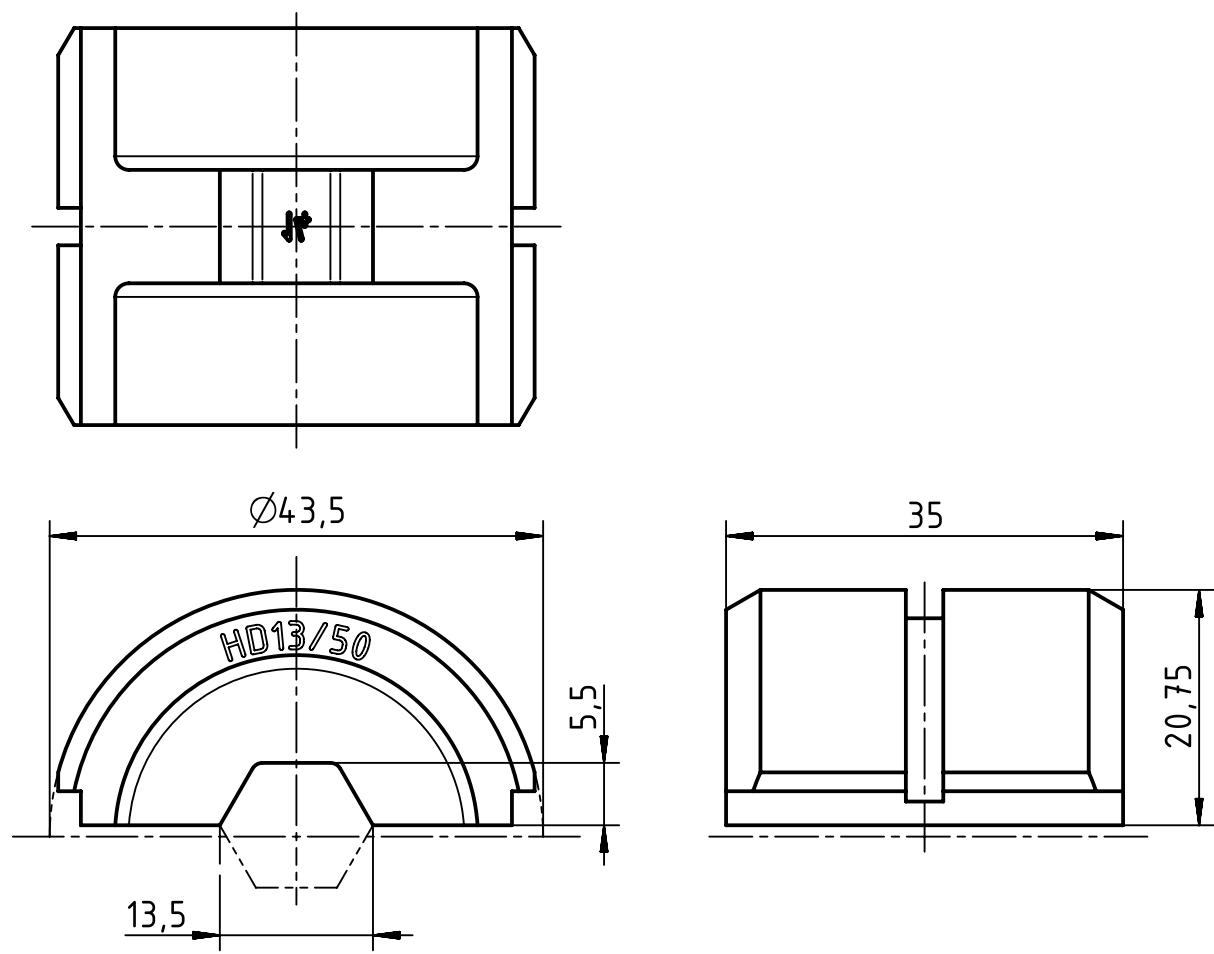
1 2 3 4 5 6

A


B

C

D



Scope of delivery 2 crimp dies

|   |  |  |                          |                             |                    |  |             |
|---|--|--|--------------------------|-----------------------------|--------------------|--|-------------|
|  | All rights reserved<br>Department EL PD - DE | All Dimensions in mm<br>Original Size DIN A4         |                          | Scale<br>1.5:1              | Free size tol.     | Ref.   |             |
|   |  | Created by<br>HOLLERT                                | Inspected by<br>RIEPE    | Standardisation<br>TIEMANNA | Date<br>2014-11-21 | State<br>Final Release                                   |             |
| HARTING Electric GmbH & Co. KG<br>D-32339 Espelkamp                                 |  | Title<br>Crimp die 50mm <sup>2</sup> for 120 kN tool |                          |                             |                    | Doc-Key / ECM-Nr.<br>100587219/UGD/002/B<br>500000081874 |             |
|   |  | Type<br>TB   | Number<br>09 99 000 0866 |                             |                    | Rev.<br>B  | Page<br>1/1 |