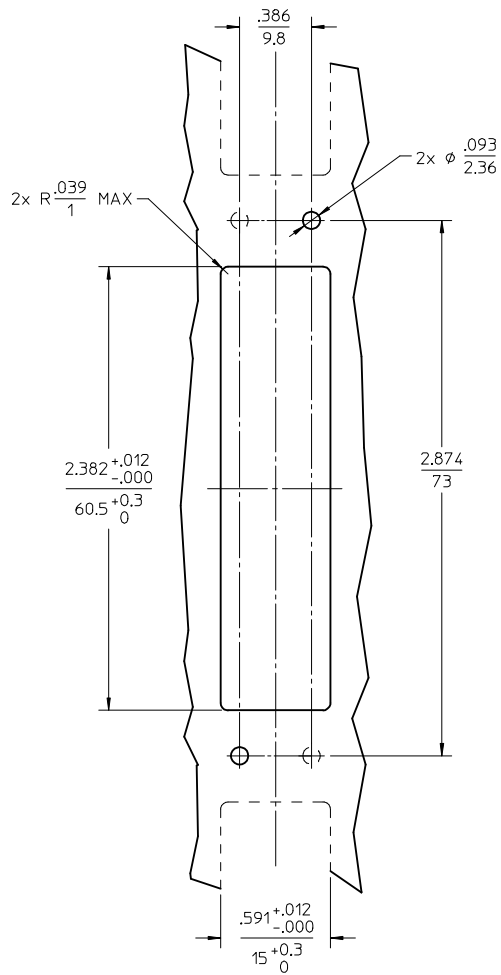


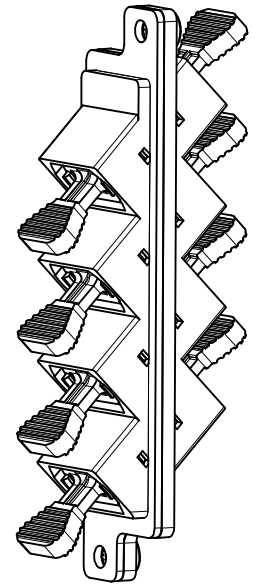
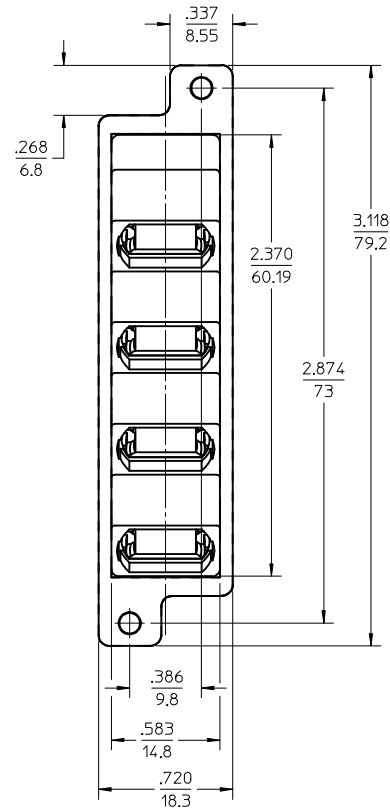
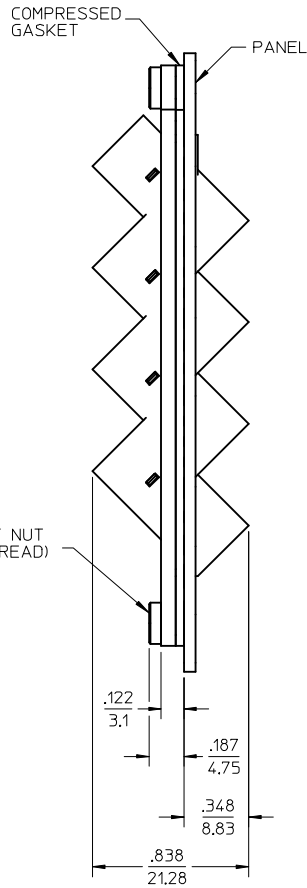
10 9 8 7 6 5 4 3 2 1



PANEL CUTOUT

NOTES:

- PART IS SUPPLIED WITH PRESS FIT NUT (#2-56 THREADS) AND SILICONE GASKET WITH CONDUCTIVE FILLER (SHOWN COMPRESSED).
- OUTER SHELL OF PART IS DIECAST.
- DUST CAPS SHOWN IN ISOMETRIC VIEW ONLY.



ENTER DESCRIPTION EC NO: MF2013-0264 2012/11/06 DRW:KPEVZNER CHKD: APPR: IGUMIN 2012/11/09 A1	QUALITY SYMBOLS F/0 F/0 F/0	GENERAL TOLERANCES (UNLESS SPECIFIED) mm INCH 4 PLACES ± --- ± --- 3 PLACES ± --- ± --- 2 PLACES ± 0.10 ± --- 1 PLACE ± 0.10 ± --- 0 PLACE ± ±	DIMENSION STYLE INCH ONLY DRAWN BY DATE PGI BL IN 2005/11/17 CHECKED BY DATE APPROVED BY DATE	SCALE 1.5:1	DESIGN UNITS INCH	THIRD ANGLE PROJECTION
	DRAFT WHERE APPLICABLE MUST REMAIN WITHIN DIMENSIONS		MATERIAL NO. 1061143200	DOCUMENT NO. SD-106114-3200	SHEET NO. 1 OF 1	
	TITLE MPO EMI ADAPTER QUAD, 45 DEGREE					
	molex					

9 8 7 6 5 4 3 2 1