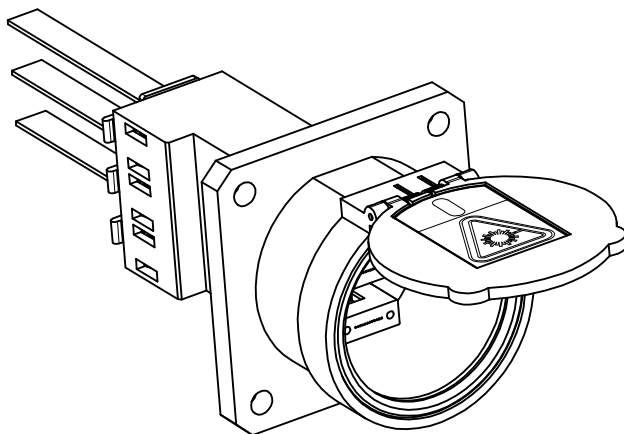
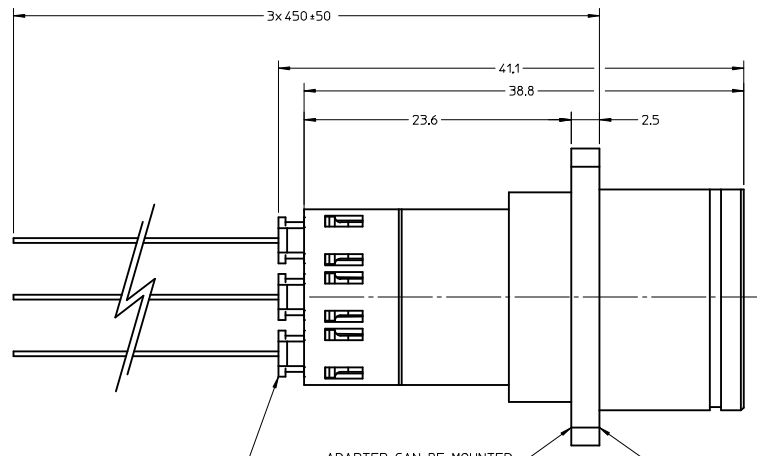


RECOMMENDED
MOUNTING CUTOUTS

SCALE 2:1

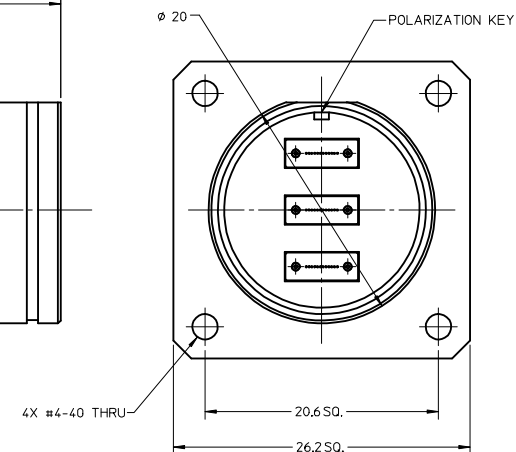


ADAPTER SHOWN WITH OPTIONAL
DUST/LASER PROTECTION SHUTTER
(P/N 1060776061)
SEE NOTE 3



1X3 CIRC MT CLIPS SHOWN ASSEMBLED
CLIPS ARE PURCHASED SEPARATELY
AS TERMINATED RIBBON ASSEMBLIES

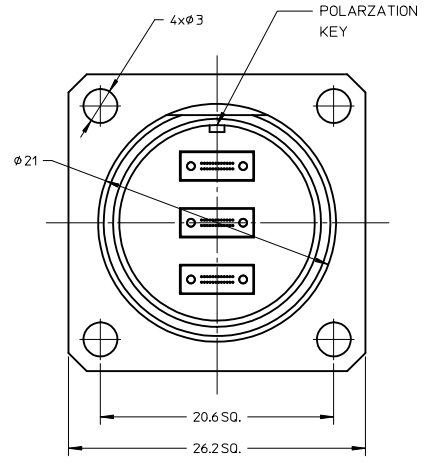
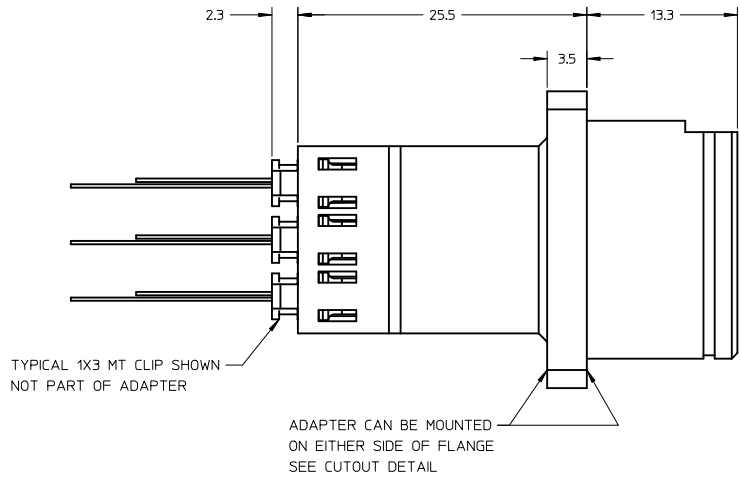
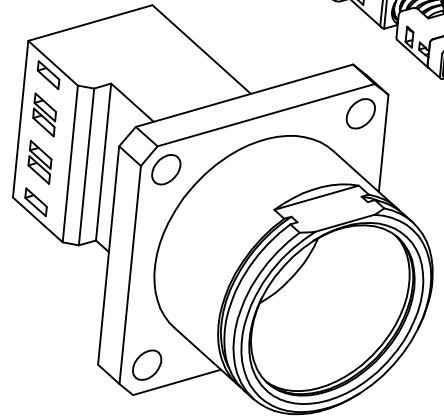
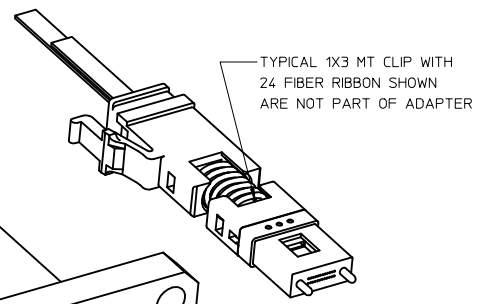
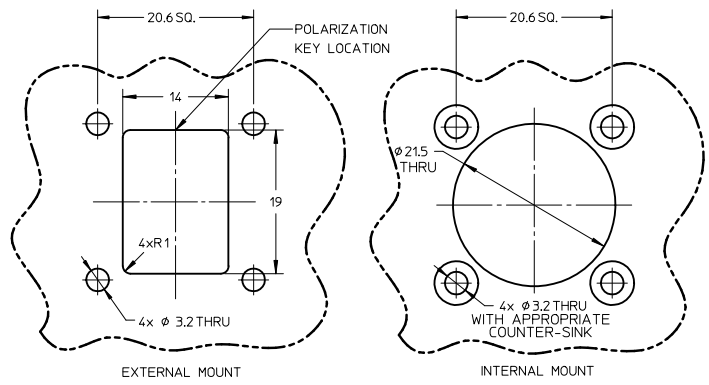
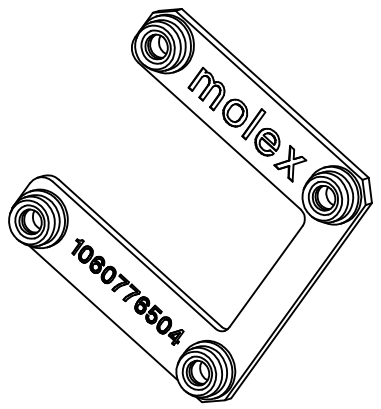
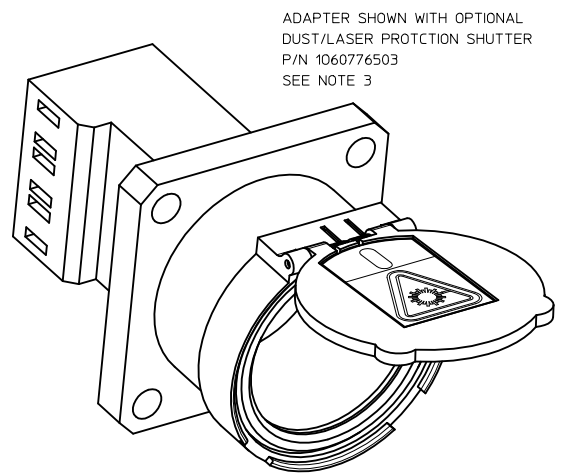
ADAPTER CAN BE MOUNTED
ON EITHER SIDE OF FLANGE
SEE RECOMMENDED MOUNTING
CUTOUTS



NOTES:

1. THIS IS A TYPICAL ADAPTER ASSEMBLY DRAWING AND IS FOR REFERENCE ONLY. DRAWINGS ARE GENERATED TO MEET CUSTOMER'S SPECIFIC REQUIREMENTS. ADAPTERS AND TERMINATED 1X3 MT CLIPS ARE SOLD INDIVIDUALLY.
2. DIMENSION ARE FOR REFERENCE ONLY.
3. OPTIONAL SHUTTER SNAPS ON AND IS ALIGNED BY A FLAT FEATURE ON THE ADAPTER. SHUTTER IS ALSO REMOVABLE. SHUTTERS ARE SOLD SEPERATELY.

ENTER DESCRIPTION EC NO: MF2007-0731 DRAWINGSZ: LAGYI 2007/06/12 CHKD: 2007/06/12 APPR: SM160 2007/06/12	DESCRIPTION REV	QUALITY SYMBOLS ▽=0 ▽=0	GENERAL TOLERANCES (UNLESS SPECIFIED)		DIMENSION STYLE MM ONLY		SCALE 3:1	DESIGN UNITS METRIC	THIRD ANGLE PROJECTION
			mm	INCH	DRAWN BY	DATE	TITLE	ADAPTER, 1X3 CIRCULAR MT 50/125MM 36 FIBER REFERENCE DRAWING	
1			4 PLACES ± --- ± ---		CHECKED BY	DATE	MOLEX INCORPORATED		SHEET NO. 1 OF 1
			3 PLACES ± --- ± ---		APPROVED BY	DATE	MATERIAL NO. 1062751001		DOCUMENT NO. SD-106275-1001
			2 PLACES ± 0.1 ± ---		DRAFT WHERE APPLICABLE MUST REMAIN WITHIN DIMENSIONS		THIS DRAWING CONTAINS INFORMATION THAT IS PROPRIETARY TO MOLEX INCORPORATED AND SHOULD NOT BE USED WITHOUT WRITTEN PERMISSION		
			1 PLACE ± 0.1 ± ---		ANGULAR ± 1/2°				



ADAPTER
P/N 1060776501

NOTES:

1. THIS IS A TYPICAL ADAPTER DRAWING AND IS FOR REFERENCE ONLY. DRAWINGS ARE GENERATED TO MEET CUSTOMER'S SPECIFIC REQUIREMENTS. ADAPTERS AND TERMINATED 1X3 MT CLIPS ARE SOLD INDIVIDUALLY.
2. DIMENSION ARE FOR REFERENCE ONLY.
3. OPTIONAL SHUTTER SNAPS ON AND IS ALIGNED BY A FLAT FEATURE ON THE ADAPTER. SHUTTER IS ALSO REMOVABLE. SHUTTERS ARE SOLD SEPARATELY.
4. OPTIONAL MOUNTING BRACKET IS SOLD SEPARATELY.

ENTER DESCRIPTION EC NO: MF2011-0018 DRWNSZ:ILAGY1 2010/07/07 CHKD: 2010/07/19 APPR:SM1GO 2010/07/21	QUALITY SYMBOLS ▽=0 ▽=0	GENERAL TOLERANCES (UNLESS SPECIFIED)		DIMENSION STYLE MM ONLY		SCALE 3:1	DESIGN UNITS METRIC	THIRD ANGLE PROJECTION
		4 PLACES ± --- ± --- 3 PLACES ± --- ± --- 2 PLACES ± --- ± --- 1 PLACE ± --- ± ---	mm INCH ± --- ± --- ± --- ± --- ± --- ± --- ± --- ± ---	DRAWN BY DSZ:ILAGY1	DATE 2010/07/07	TITLE ADAPTER, PLASTIC 1X3 CIRCULAR MT REFERENCE DRAWING		
1	REV	ANGULAR ±1/2°		APPROVED BY SM1GO	DATE 2010/07/19	MOLEX MOLEX INCORPORATED		SHEET NO. 1 OF 1
DRAFT WHERE APPLICABLE MUST REMAIN WITHIN DIMENSIONS				MATERIAL NO. 1062755001	DOCUMENT NO. SD-106275-5001	THIS DRAWING CONTAINS INFORMATION THAT IS PROPRIETARY TO MOLEX INCORPORATED AND SHOULD NOT BE USED WITHOUT WRITTEN PERMISSION		