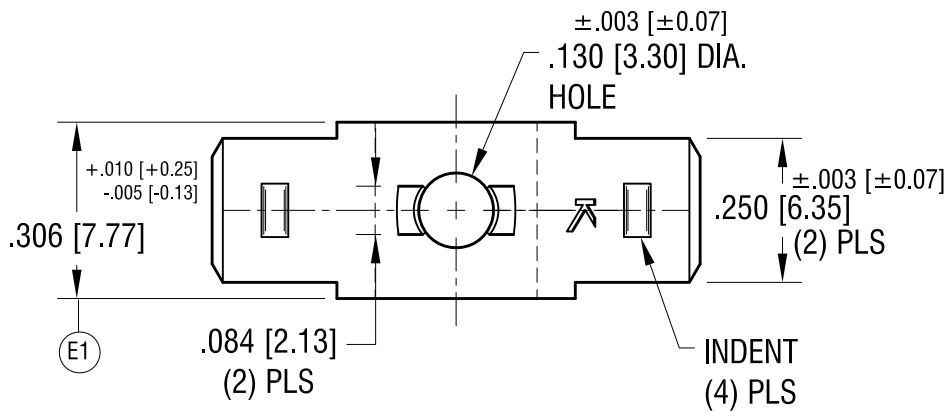
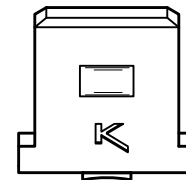
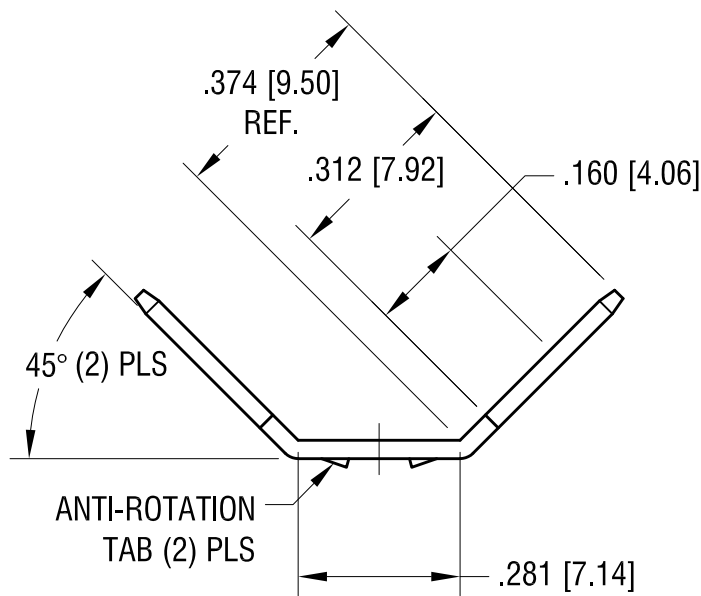
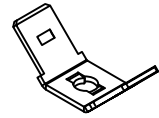


THIS DOCUMENT IS THE PROPERTY OF
KEYSTONE ELECTRONICS CORP. AND
SHALL NOT BE REPRODUCED, DISTRIBUTED
OR USED AS A BASIS FOR MANUFACTURE
WITHOUT PRIOR WRITTEN PERMISSION
FROM KEYSTONE ELECTRONICS CORP.

SCATUAL SIZE



 FILE NUMBER: E201546

1.30.19	(E1) WAS .306±.005 CHANGE AS PER ECN 19-012	E
1.27.16	CHANGED AS PER ECN 16-014	D
8.21.12	ECN 12-112, ADD STAMP	C
9.05.03	CHANGE AS PER ECN 03-066	B
DATE	DESCRIPTION	REV.

KEYSTONE ELECTRONICS CORP.			
www.keyelco.com • NEW HYDE PARK, NY 11040 • Tel (516) 328-7500			
PART NAME		.250 QUICK-FIT TERMINAL	
MATERIAL		.032 [0.81] TH'K BRASS	
FINISH		DRN BY	DATE
BRIGHT BRASS		BOONE	5.03.82
		APP'D	SCALE
		MR	3X
TOLERANCES	INCH [MM]	CODE	DWG NO.
DECIMAL	± .005 [± 0.13]	C	1258
ANGULAR	± 1°		
UNLESS OTHERWISE SPECIFIED			