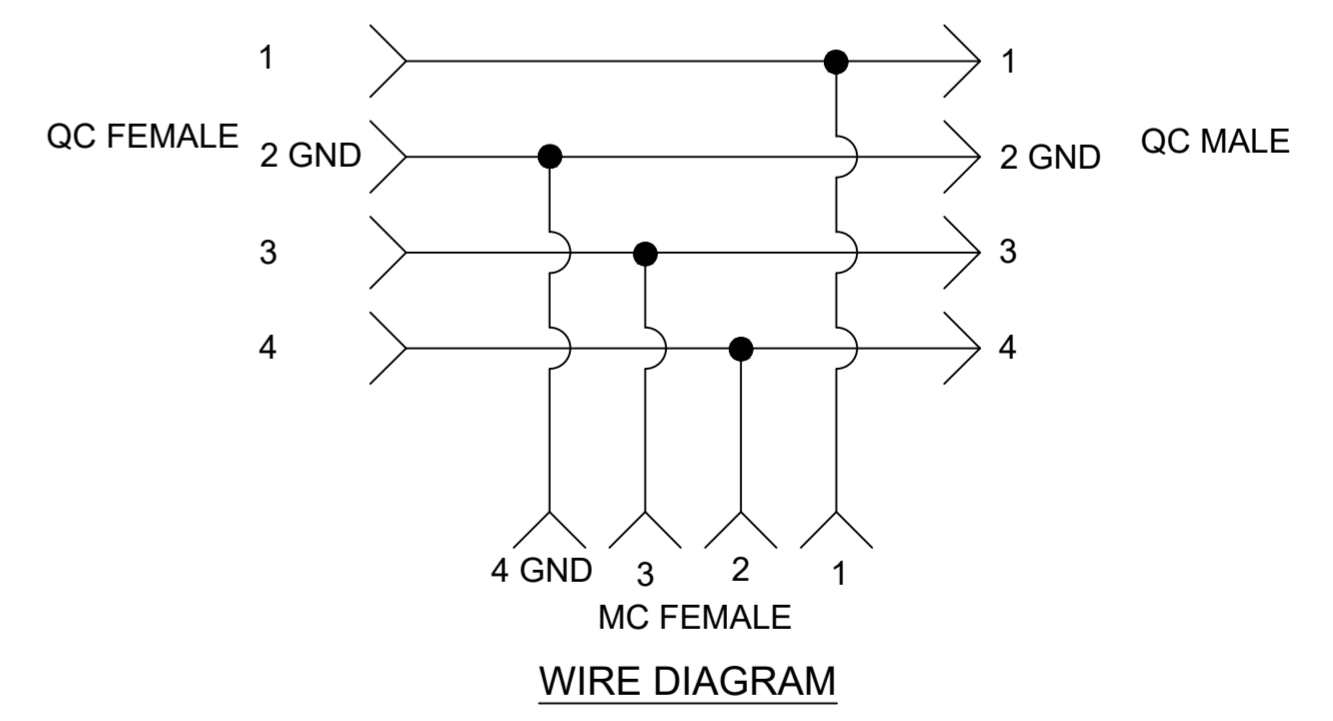
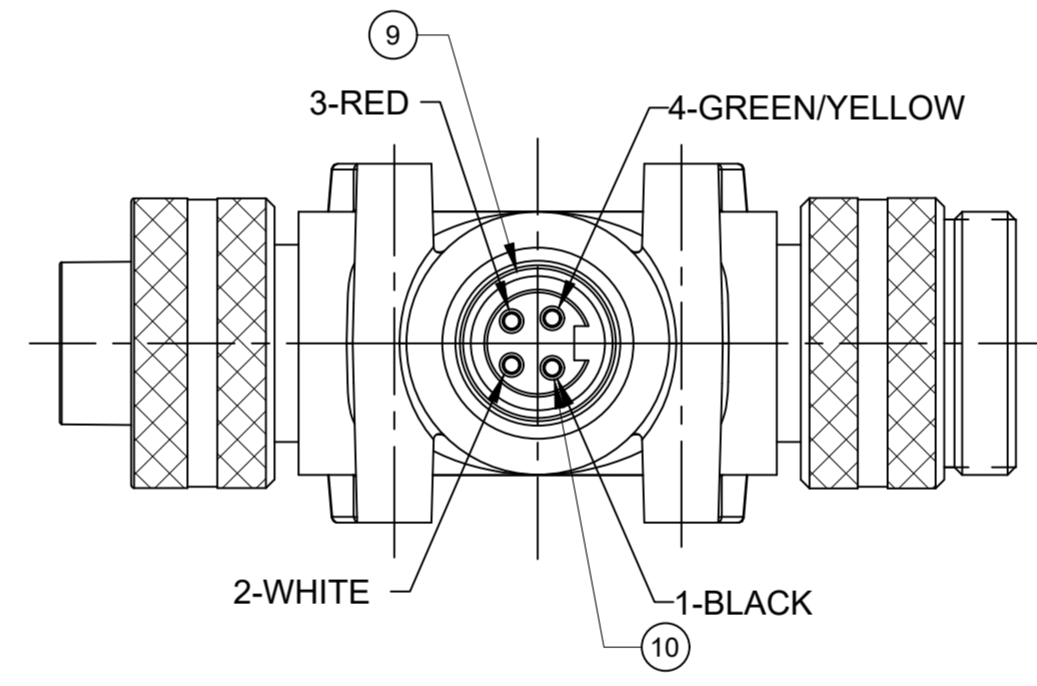
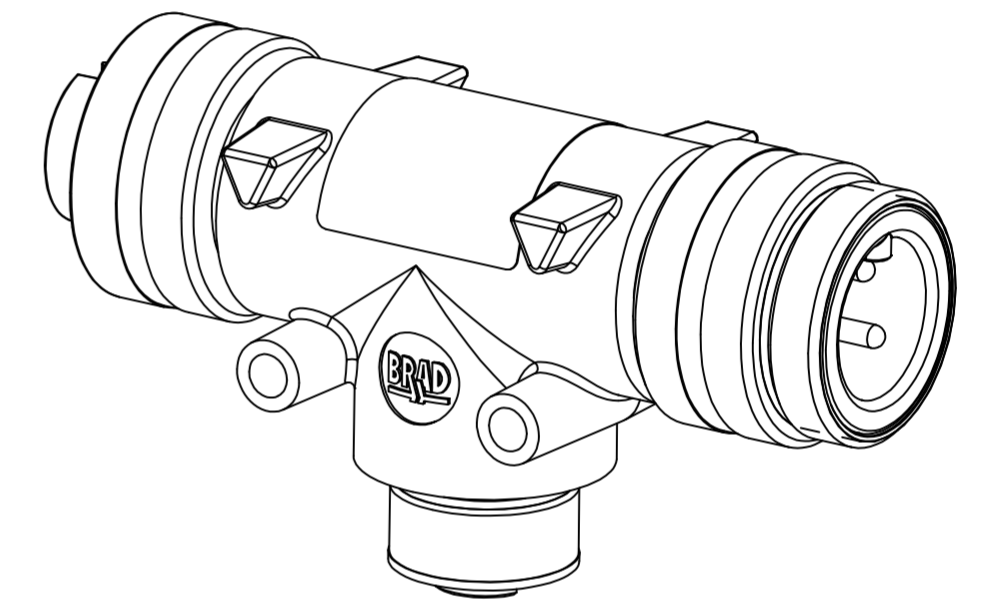
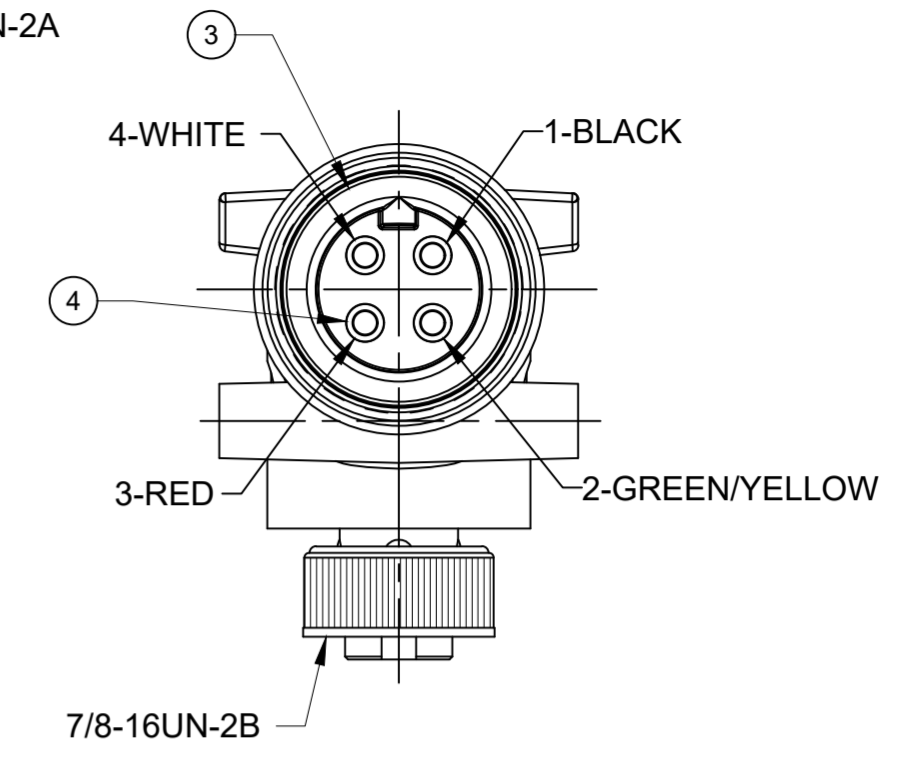
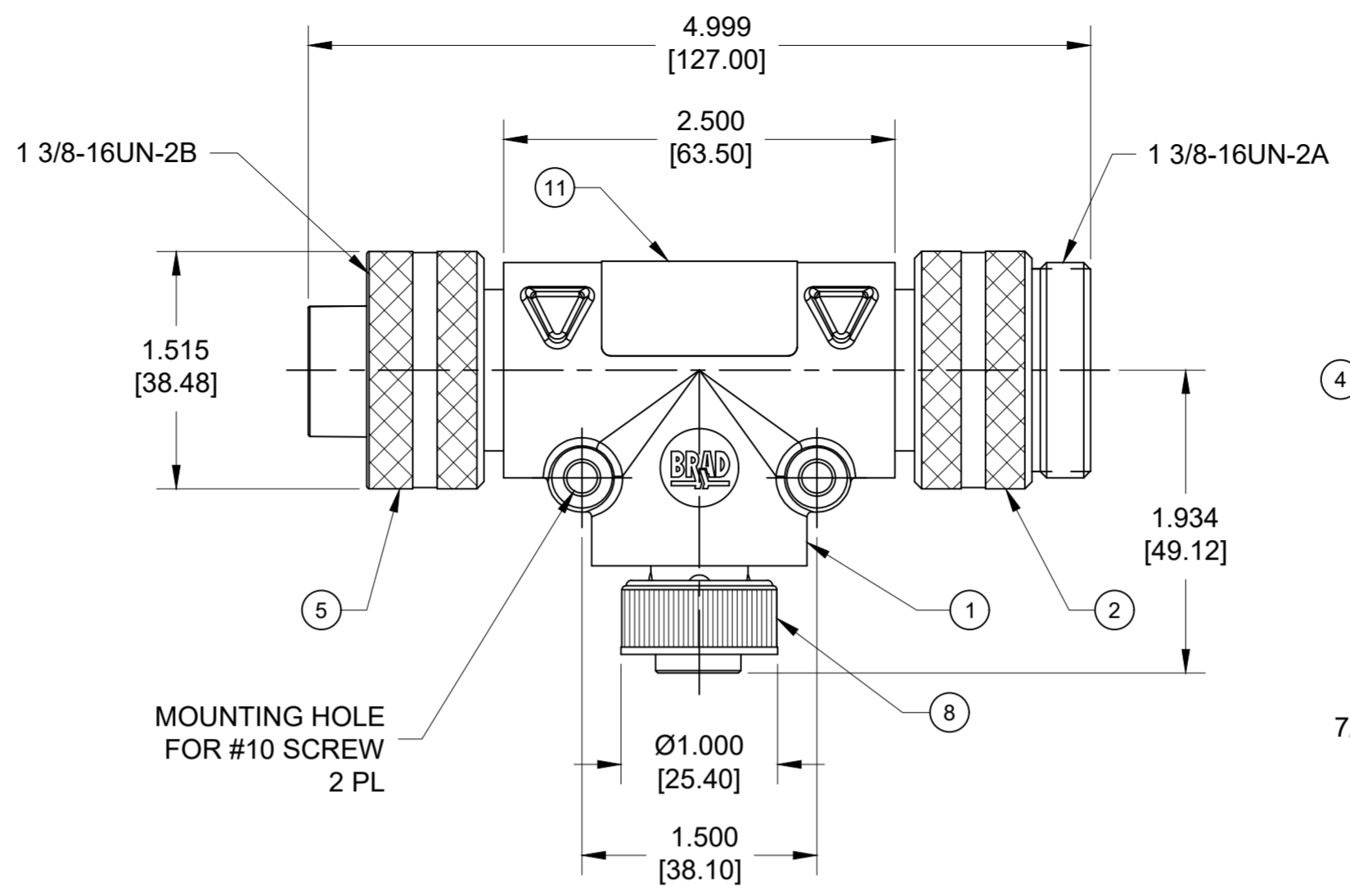
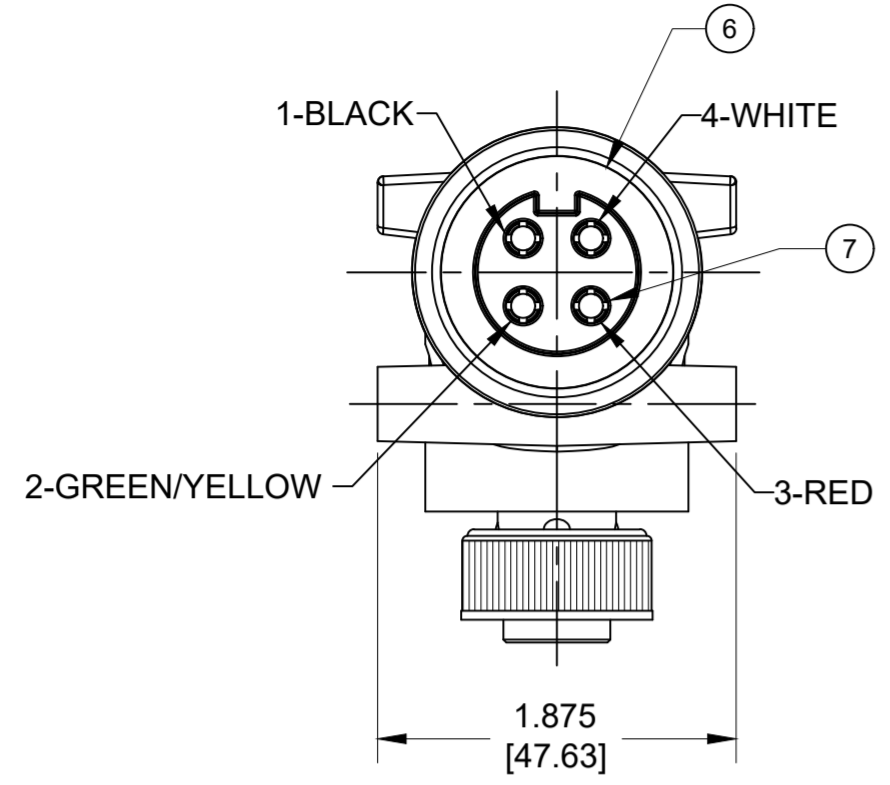


PART NUMBER	ENGINEERING NUMBER
1300680106	TC40140-200G



- NOTE:**
- MATERIAL: AS NOTED
 - FINISH: AS NOTED
 - ELECTRICAL DATA:
VOLTAGE: 483V PER IEC60664 (B)
600V PER UL2237
MAX. THRU CURRENT: 32A (B)
MAX. DROP CURRENT: 15A (B)
 - TEMPERATURE RANGE: -20°C TO +90°C
 - PROTECTION: IP67 (WHEN MATED)
 - UL LISTED FILE: E258922
 - PACKAGING:
ASSEMBLIES ARE BAGGED SEPERATELY IN POLY BAGS WITH BAR CODE LABEL ATTACHED TO THE OUTSIDE OF THE BAG.
 - ASSEMBLY IS RoHS COMPLIANT
 - ALL DIMENSIONS ARE FOR REFERENCE UNLESS TOLERANCED OR NOTED OTHERWISE

11	1	LABEL	PLASTIC FILM	BLACK/YELLOW
10	4	MC SOCKET CONTACT	COPPER ALLOY	GOLD PLATED
9	1	MC FEMALE INSERT	TPE	BLACK
8	1	MC COUPLING NUT	ZINC ALLOY	BLACK E-COAT
7	4	QC SOCKET CONTACT	COPPER ALLOY	GOLD PLATED
6	1	QC FEMALE INSERT	TPE	BLACK
5	1	QC FEMALE COUPLING NUT	ALUMINUM	CLEAR ANODIZE
4	4	QC PIN CONTACT	COPPER ALLOY	GOLD PLATED
3	1	QC MALE INSERT	TPE	BLACK
2	1	QC MALE COUPLING NUT	ALUMINUM	CLEAR ANODIZE
1	1	OVERMOLD	TPE	BLACK
ITEM	QTY.	DESCRIPTION	MATERIAL	FINISH

THIS DRAWING CONTAINS INFORMATION THAT IS PROPRIETARY TO MOLEX ELECTRONIC TECHNOLOGIES, LLC AND SHOULD NOT BE USED WITHOUT WRITTEN PERMISSION

FUNCTIONAL SYMBOLS	DIMENSION UNITS	SCALE	CURRENT REV DESC: UPDATED MATERIALS, UPDATED AMPS, ADDED IEC VOLTAGE
FA=0	INCH/MM	NTS	
FC=0	GENERAL TOLERANCES (UNLESS SPECIFIED)		
FD=0			
DIVISIONAL SYMBOLS	mm	INCH	EC NO: 660415
	4 PLACES ±----	±----	DRWN: ABENJAMINLW 2021/01/21
	3 PLACES ±----	±0.005	CHK'D: ALEON01 2021/04/13
	2 PLACES ±0.13	±0.01	APPR: BWOODMAN 2021/05/05
	1 PLACE ±0.25	±0.02	INITIAL REVISION:
	0 PLACES ±----	±----	DRWN: CAAVILES 2014/10/30
	ANGULAR TOL ± 0.5 °		APPR: TWOLDEGE 2015/07/30
DRAFT WHERE APPLICABLE MUST REMAIN WITHIN DIMENSIONS	THIRD ANGLE PROJECTION	DRAWING	SERIES
		C-SIZE	130068

DOCUMENT NUMBER		DOC TYPE/DOC PART/REVISION	
SD-130068-022		PSD 001 B	
MATERIAL NUMBER	CUSTOMER	SHEET NUMBER	
SEE CHART	GENERAL MARKET	1 OF 1	