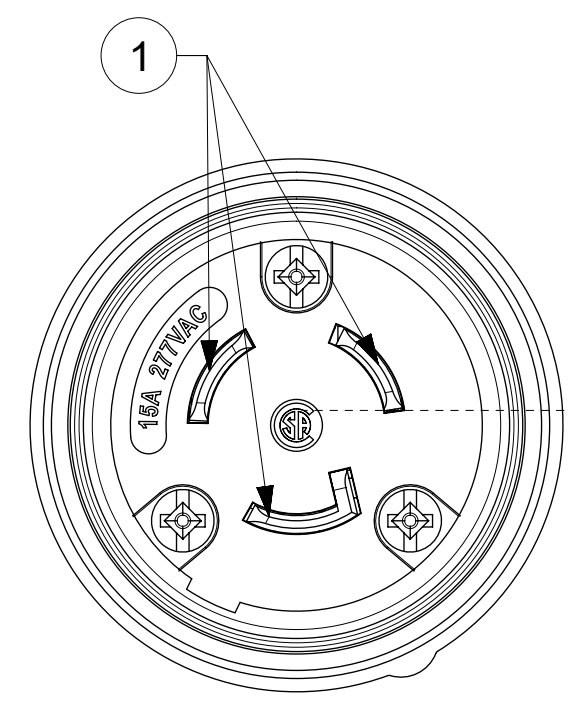
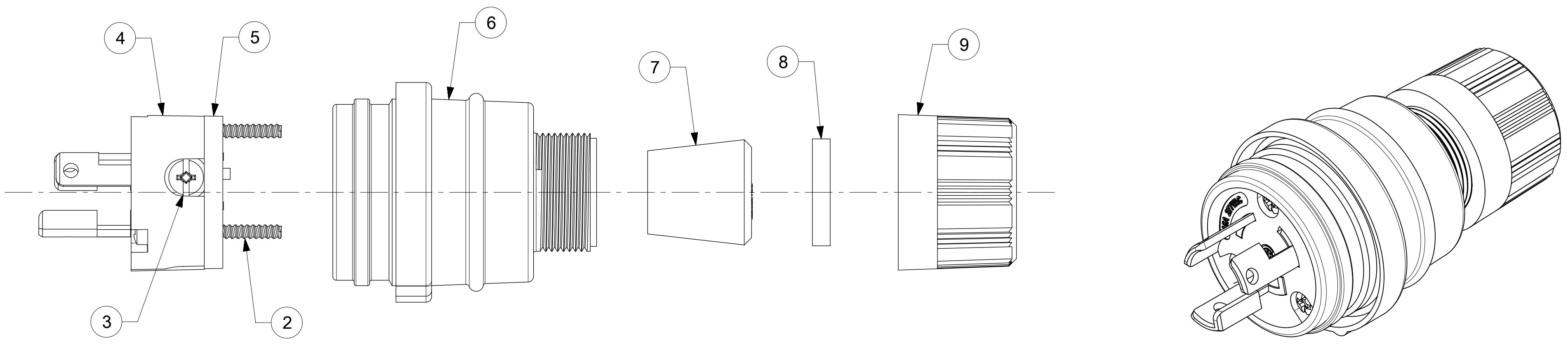
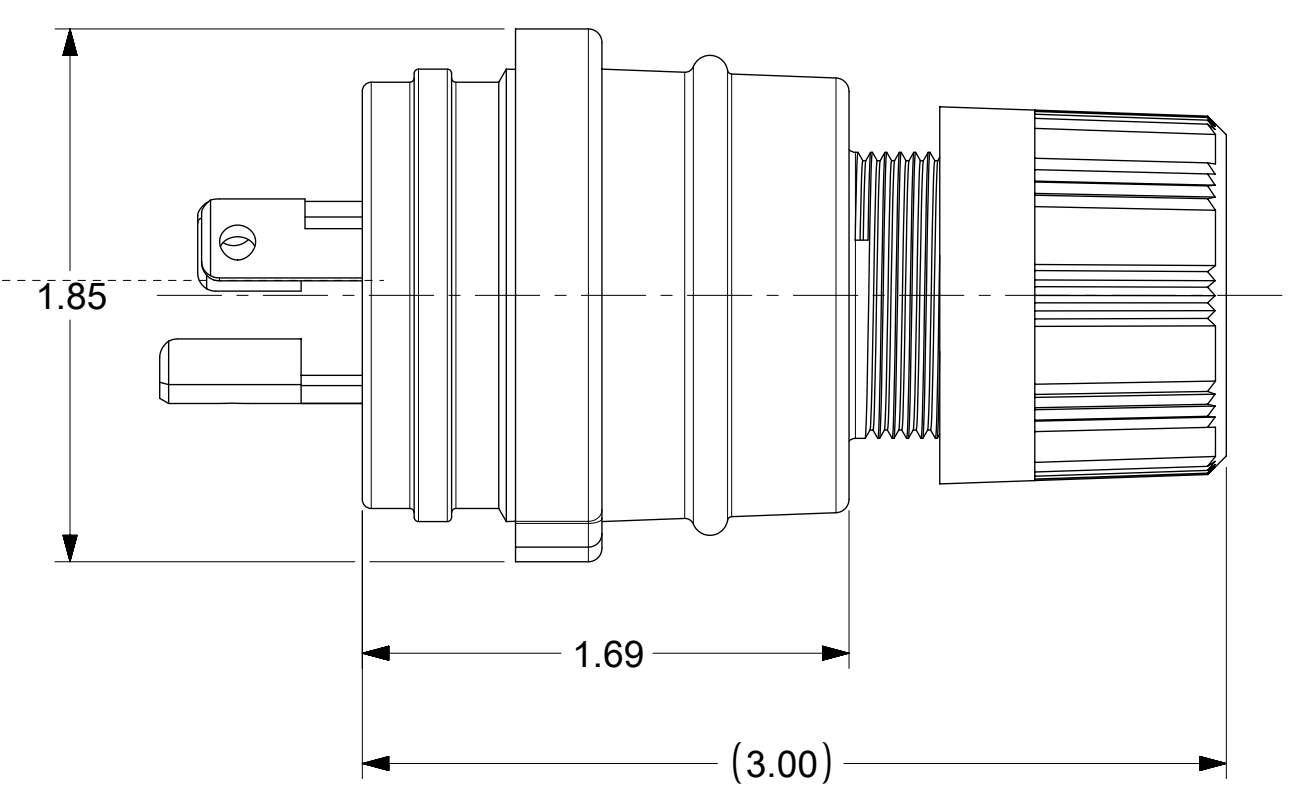


ORDER NO.	WOODHEAD NO.	COLOR
130146-0207	24W34-P	YELLOW
130146-0208	24W34BLK-P	BLACK



**FACE VIEW**



**NOTES:**  
 1. SEE INSTRUCTION SHEET NUMBER 1301414770 FOR PRODUCT SPECIFICATION.  
 2. CABLE RANGE FROM 0.375" TO 0.625"

ITEM NO.	DESCRIPTIONS	MATERIAL	QTY.
1	BLADES	BRASS	3
2	RETAINING SCREWS	STAINLESS STEEL	3
3	TERMINAL SCREWS	BRASS, ZINC PLATED	3
4	INSERT	NYLON	1
5	TERMINAL COVER	POLYCARBONATE	1
6	HOUSING	RUBBER WITH NYLON THREAD	1
7	GROMMETS	RUBBER	5
8	FRICTION RING	NYLON	1
9	COMPRESSION NUT	NYLON	1

SYMBOLS		THIS DRAWING CONTAINS INFORMATION THAT IS PROPRIETARY TO MOLEX ELECTRONIC TECHNOLOGIES, LLC AND SHOULD NOT BE USED WITHOUT WRITTEN PERMISSION		CURRENT REV DESC: RELEASED		<b>molex</b>						
▽ = 0	INCH	SCALE	NTS	EC NO: 613683				WATERTITE PLUG, L7-15P				
▽ = 0	GENERAL TOLERANCES (UNLESS SPECIFIED)			DRWN: ABABU01 2018/11/13		PRODUCT CUSTOMER DRAWING						
▽ = 0	ANGULAR TOL ± 0.5°			CHK'D: DNGUYEN62 2019/03/15				DOCUMENT NUMBER				
▽ = 0	4 PLACES ±			APPR: HKNEELAND 2019/03/21		1301460207						
▽ = 0	3 PLACES ± 0.005			INITIAL REVISION:				DOC TYPE				
▽ = 0	2 PLACES ± 0.01			DRWN: ABABU01 2018/11/13		PSD						
▽ = 0	1 PLACE ± 0.02			APPR: HKNEELAND 2019/03/21				000				
▽ = 0	DRAFT WHERE APPLICABLE MUST REMAIN WITHIN DIMENSIONS		THIRD ANGLE PROJECTION	DRAWING	SERIES	SHEET NUMBER						
▽ = 0				C-SIZE	130146			1 OF 1				
DOCUMENT STATUS		P1	RELEASE DATE	2019/03/21	14:45:07	MATERIAL NUMBER				CUSTOMER	SEE TABLE	