

4

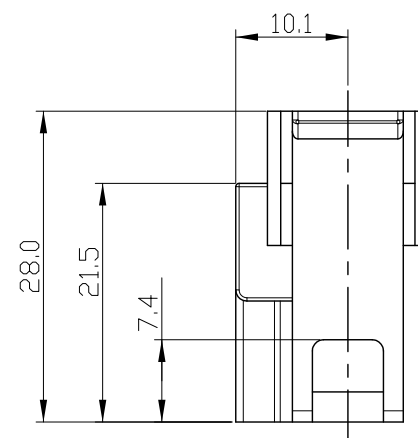
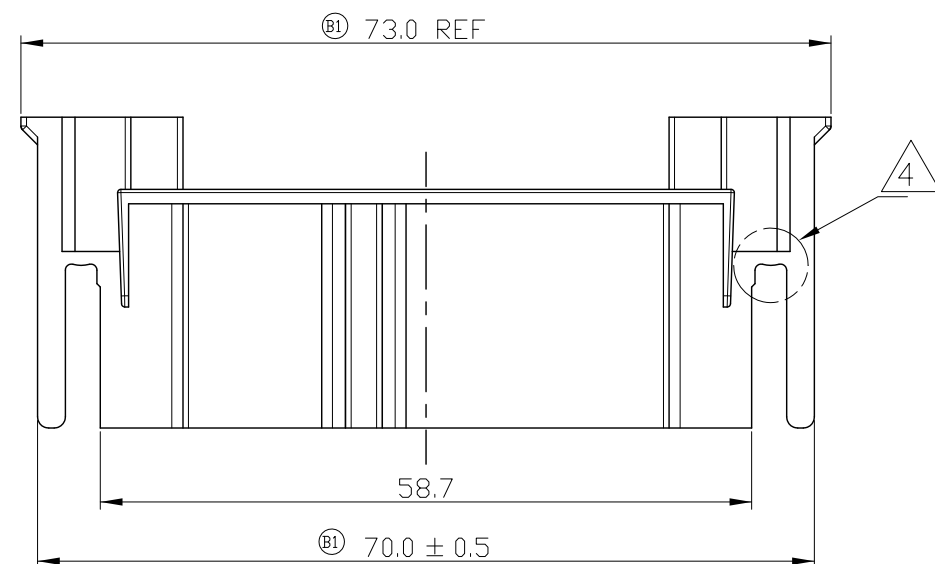
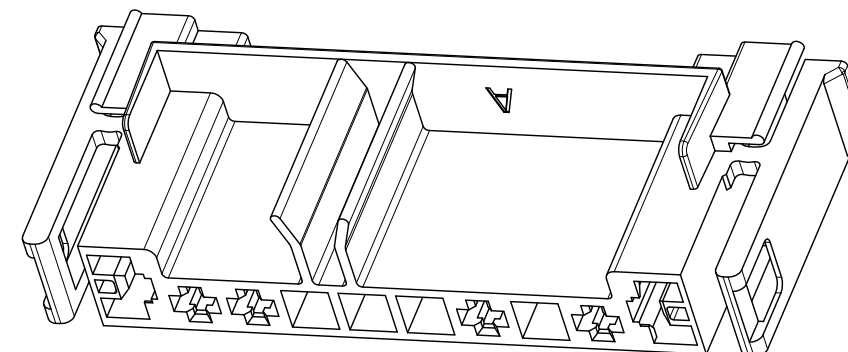
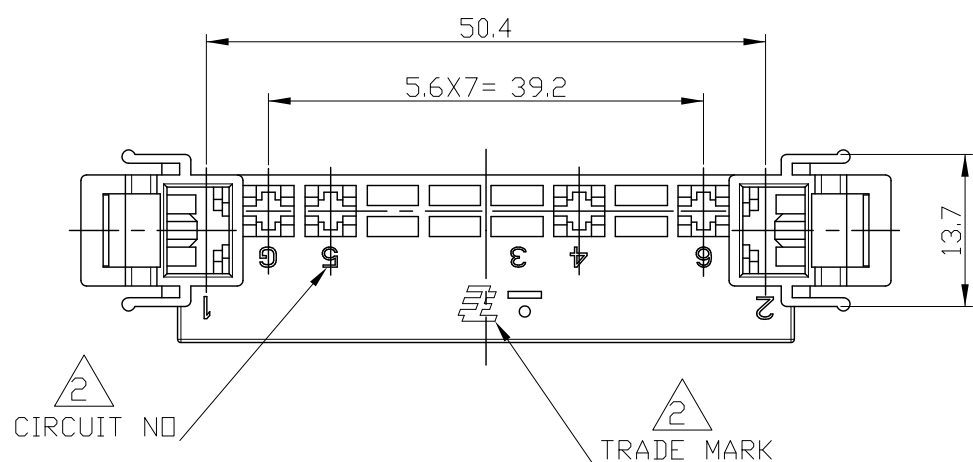
3

2

1

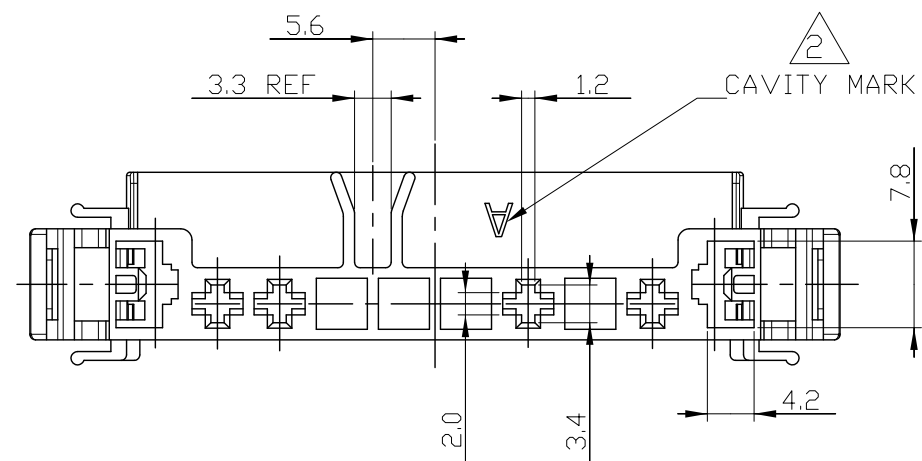
THIS DRAWING IS UNPUBLISHED. RELEASED FOR PUBLICATION 20
© COPYRIGHT 20 BY - ALL RIGHTS RESERVED.

LOC	DIST	REVISIONS					
		P	LTR	DESCRIPTION	DATE	DWN	APVD
DS	-		B1	REVISED PER ECR-13-007850	03JUN2013	SC	BW



NOTE,

- 1. MATERIAL: PC/PET, UL94 V-0 ACCORDING TO IEC 60335-1, GWT 750 °C WITHOUT FLAME.
- 2. TRADE MARK, CIRCUIT NO. AND CAVITY MARK SHALL BE LOCATED APPROX. AS SHOWN.
- 3. APPLICABLE CONTACT P/N: 170329-1(250) / 1217039-1(125)
- 4. IMPROVED HINGE GEOMETRY OF LEVER



1897058-1	1	NATURAL
P/N	MATERIAL	COLOR

THIS DRAWING IS A CONTROLLED DOCUMENT.		DWN SC KIM 10NOV2006																				
DIMENSIONS: mm		CHK BH CHD 10NOV2006																				
TOLERANCES UNLESS OTHERWISE SPECIFIED:		APVD BW KANG 10NOV2006	NAME																			
<table border="1"> <tr><td>0 PLC</td><td>±</td><td></td></tr> <tr><td>1 PLC</td><td>±</td><td></td></tr> <tr><td>2 PLC</td><td>±</td><td>±0.3</td></tr> <tr><td>3 PLC</td><td>±</td><td></td></tr> <tr><td>4 PLC</td><td>±</td><td></td></tr> <tr><td>ANGLES</td><td>±</td><td></td></tr> </table>		0 PLC	±		1 PLC	±		2 PLC	±	±0.3	3 PLC	±		4 PLC	±		ANGLES	±		PRODUCT SPEC 108-61092	125/250 6P Conn. for Motor (GWT)	
0 PLC	±																					
1 PLC	±																					
2 PLC	±	±0.3																				
3 PLC	±																					
4 PLC	±																					
ANGLES	±																					
MATERIAL SEE NOTE		APPLICATION SPEC -	SIZE A3	CAGE CODE 00779																		
FINISH -		WEIGHT -	DRAWING NO. 1897058	RESTRICTED TO -																		
CUSTOMER DRAWING			SCALE N/S	SHEET 1 OF 1 REV B1																		