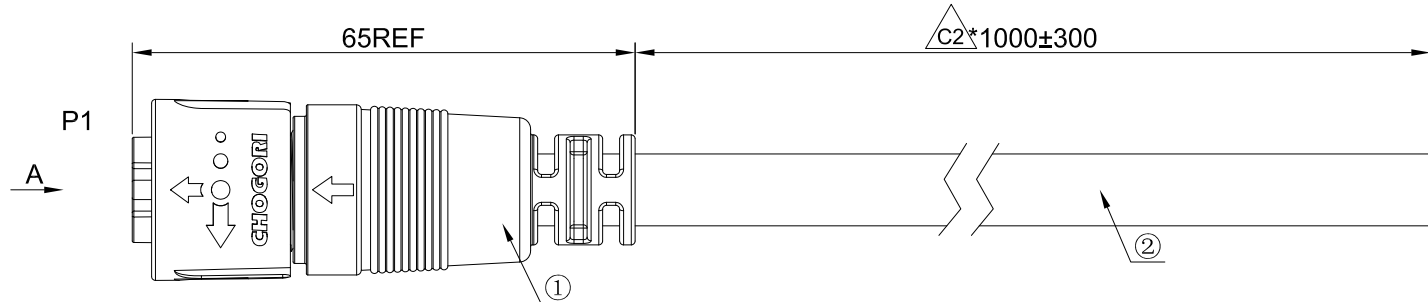
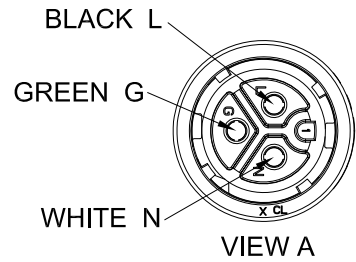


5	6	7	8
REV.	ECN NO.	DATE	SIGN
C1	NA	2022/05/28	XU
C2	NA	2022/06/24	XU



P/N: 23003233-01-001

**SPECIFICATIONS:**

- 1.INSULATION RESISTANCE: 10MΩ@500VDC/0.01S.
- 2.VOLTAGE RATING: 600V.
- 3.CURRENT RATING: 10A.
- 4.OPERATION TEMPERATURE: -10℃~+105℃.
- 5.WATERPROOF IPX7(MATED).
- 6.RoHS COMPLIANT.

No.	Material No.	Q'ty	Unit	Material Description
2	900-00301-00118	A/R	M	STW 3*18AWG PVC 105℃ 600V BLACK OD9.3
1	23003233-01-001	1	PC	MIDDIE SERIES 3PIN MALE CONNECTOR WITH FEMALE PIN(4 LOCKS,MOLDING,-511)

**Material List**

UNIT:mm		TITLE
未注线性和角度尺寸公差 UNSPECIFIED TOLERANCE		MIDDIE SERIES 3PIN MALE CONNECTOR WITH FEMALE PIN(4 LOCKS,MOLDING,-511) L=1000MM
SCALE N/A	SHEET 1 of 1	
REV. C2	SIZE A4	* Inspection Item

**CHOGORI**<sup>®</sup>  
Chogori Technology Co., Ltd

ITEM NO.	11C03622051405	DRAWN BY	XU	DATE	2022/06/24
DWG NO.	11C03622051405	CHECKED BY		DATE	
CUSTOMER NO.		REV.		APPROVED BY	

THIS INFORMATION IS CONFIDENTIAL AND IS DISCLOSED TO YOU ON CONDITION THAT NO FURTHER DISCLOSURE IS MADE BY YOU TO OTHER THAN CHOGORI PERSONNEL WITHOUT AUTHORIZATION FROM CHOGORI CORP.