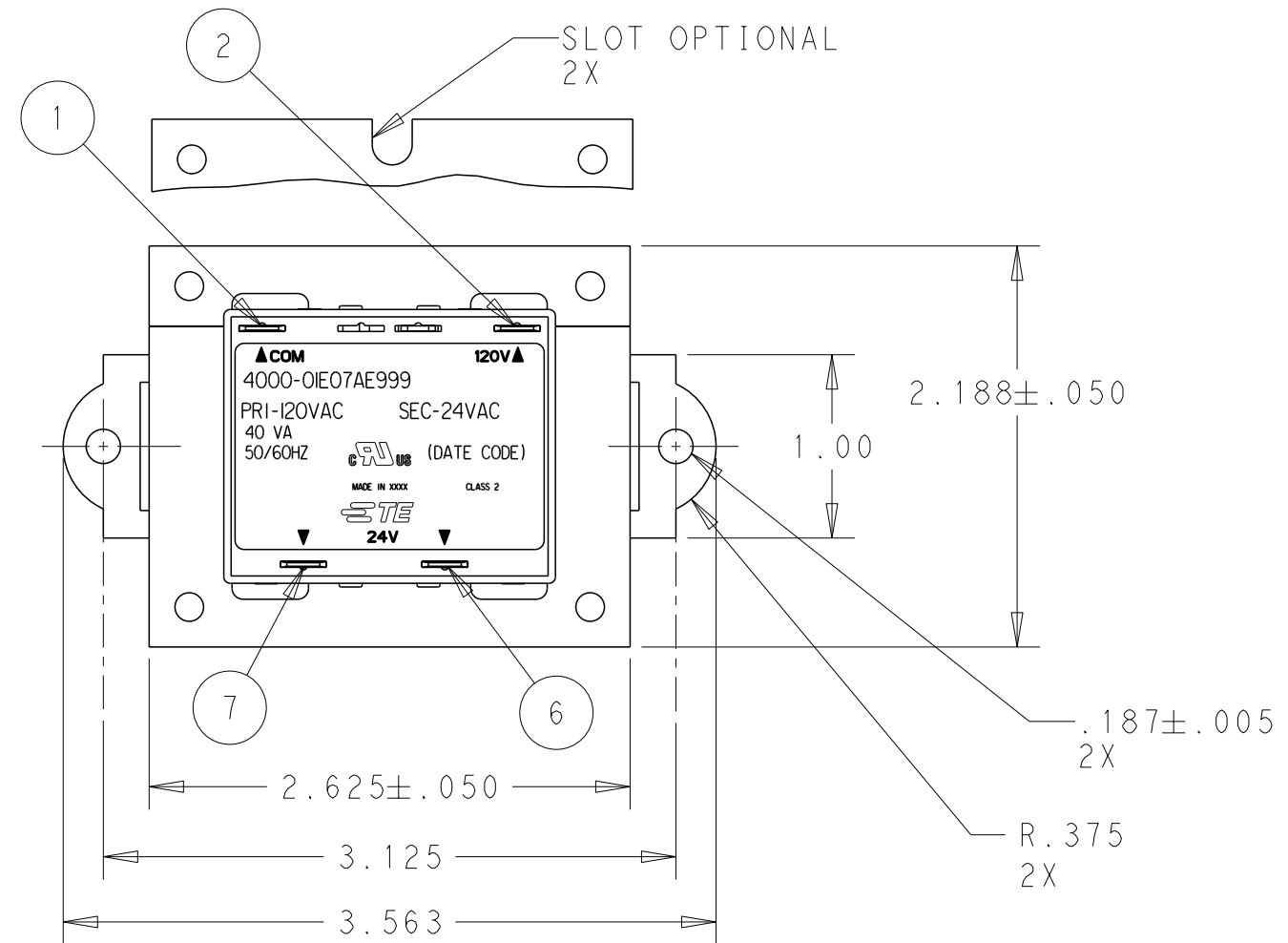


THIS DRAWING IS UNPUBLISHED. RELEASED FOR PUBLICATION 20
 © COPYRIGHT 20 BY - ALL RIGHTS RESERVED.

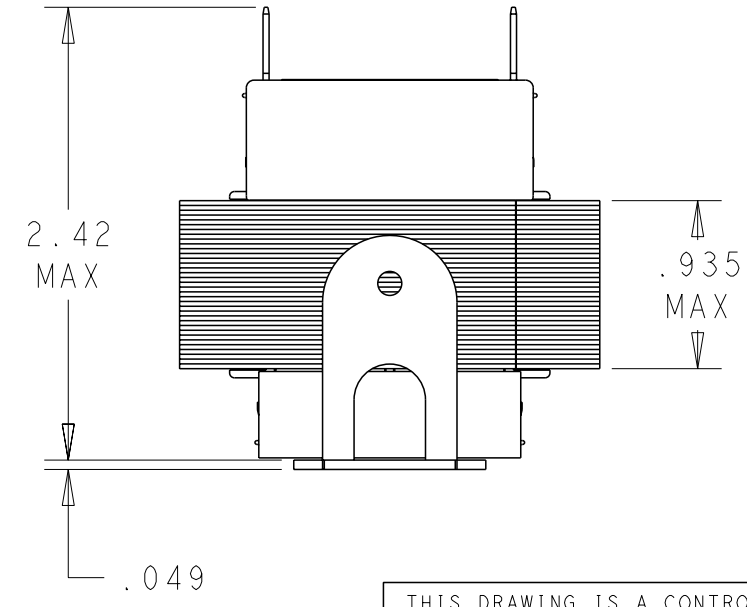
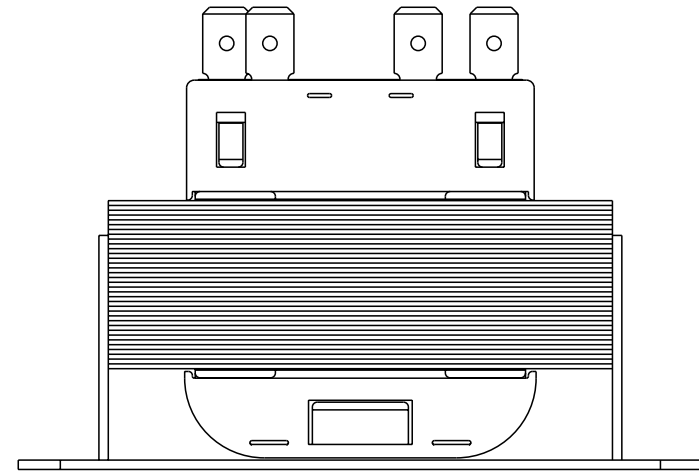
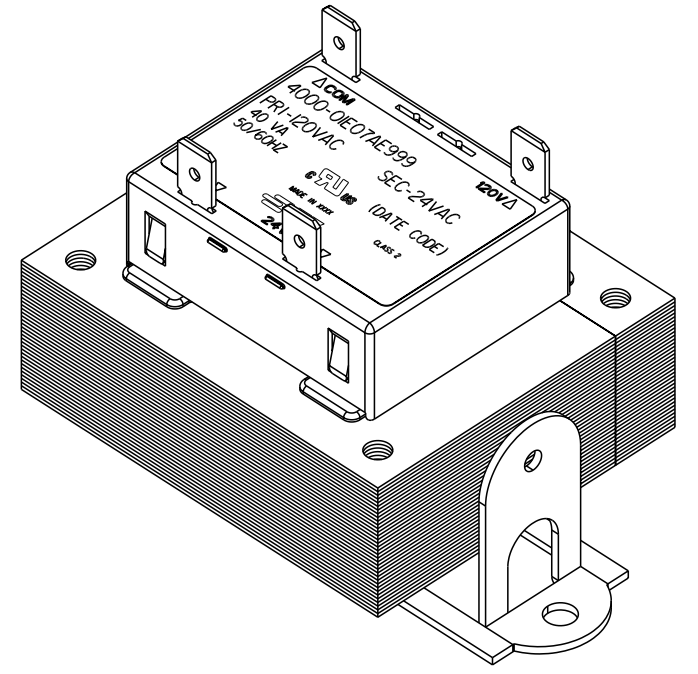
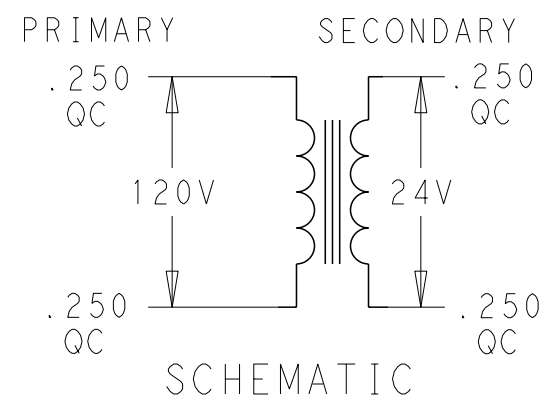
LOC	DIST	REVISIONS					
GZ	00	P	LTR	DESCRIPTION	DATE	DWN	APVD
		D		ECR-16-001088	27JAN2016	VS	DB



CERTIFICATION: UL & CUL FILE NO. E87824

PRIMARY			SECONDARY		
TERMINAL NO.	1	2	TERMINAL NO.	6	7
VOLTAGE	COM	120	VOLTAGE	24	VAC
TERM. WIDTH	.250	.250	TERM. WIDTH	.250	.250
TERM. THICKNESS	.032	.032	TERM. THICKNESS	.032	.032

1. WINDING PROTECTION: INHERENTLY LIMITING.



1-1611453-2
TE PART NO.

THIS DRAWING IS A CONTROLLED DOCUMENT.		DWN	VIC SLACK 09JUL2014		 TE Connectivity	NAME	TRANSFORMER OUTLINE							
DIMENSIONS: INCHES		CHK	D. BLOESCH 09JUL2014				-	-						
		APVD	D. BLOESCH 09JUL2014											
TOLERANCES UNLESS OTHERWISE SPECIFIED:		PRODUCT SPEC	-				SIZE	CAGE CODE	DRAWING NO	RESTRICTED TO				
0 PLC ±- 1 PLC ±.1 2 PLC ±.03 3 PLC ±.015 4 PLC ±- ANGLES ±-		APPLICATION SPEC	-		A3	00779	C-4000-01E07AE999	-						
MATERIAL	-	WEIGHT	-		Customer Drawing		SCALE	1:1	SHEET	1	OF	1	REV	D