

Item description

Short description:

WAGO's Voltage Taps serve as busbar taps for measuring L- or N-conductors and are equipped with an integrated SIBA fuse with indicator. The built-in fuse is located directly above the voltage-carrying busbar. In the event of an overload and short circuit, the downstream measurement unit is safely disconnected before major damage occurs.

The voltage taps can be mounted directly on the busbar. Clamp mount via Allen screw is performed using an insulated Allen wrench and provides an excellent contact between the busbar and the fuse. This ensures high operational safety and short-circuit protection.

The measurement line is connected via Push-in CAGE CLAMP®, the universal connection technology for all conductor types that provides the simplicity of push-in terminations. Rigid conductors, such as solid and stranded conductors, as well as fine-stranded conductors with ferrules, can be terminated by simply pushing them in – no operating tool needed. The connection unit with a fuse and Push-in CAGE CLAMP® rotates ($\pm 120^\circ$). This creates additional added value by directly guiding subsequent wiring into the cable channel.

In addition, the voltage taps can be labeled with two different marking options.

Features:

Subject to changes. Please also observe the further product documentation!



- Fuse-protected voltage tap for measurement purposes
- Safe protection through integrated fuse with indicator (measurement line/device)
- WAGO push-in termination technology
- WAGO labeling options (WMB markers or marking strips)

Data Notes

Note	Spare fuse: WAGO 855-8020
------	---------------------------

Technical data

Output (voltage tap)

Fuse (voltage path)	2 A; 450 V; F; 70 kA; 5 x 25 mm (WAGO 855-8020)
---------------------	---

Connection data

Connection technology	Push-in CAGE CLAMP®
WAGO connector	WAGO 2724 Series
Solid conductor	0.2 ... 6 mm ² / 24 ... 10 AWG
Fine-stranded conductor	0.2 ... 6 mm ² / 24 ... 10 AWG
Strip length	10 ... 12 mm / 0.39 ... 0.47 inches
Busbar thickness (min.)	4 mm
Busbar thickness (max.)	15 mm

Physical data

Width	79 mm / 3.11 inches
Height	15 mm / 0.591 inches
Depth	72 mm / 2.835 inches

Mechanical Data

Mounting type	Clamp mount
Mounting type	Installation on busbar

Material Data

Weight	160 g
--------	-------

Subject to changes. Please also observe the further product documentation!

Environmental requirements

Ambient temperature (operation)	-25 ... +70 °C
Ambient temperature (storage)	-40 ... +85 °C
Relative humidity	5 ... 85 % (without condensation)
Operating altitude (max.)	2000 m
Vibration resistance	10g (industry; 5 ... 2000 Hz; per IEC 60068-2-6); 4g (ship; 5 ... 150 Hz; per IEC 60068-2-6)

Standards and specifications

Standards/specifications	IEC 60947-7-3
--------------------------	---------------

Commercial data


eCl@ss 10.0	27-14-11-92
eCl@ss 9.0	27-14-11-92
ETIM 8.0	EC002848
ETIM 7.0	EC002848
PU (SPU)	1 pcs
Packaging type	bag
Country of origin	NL
GTIN	4055143720076
Customs tariff number	85366990990

Environmental Product Compliance

RoHS Compliance Status	Compliant, No Exemption
------------------------	-------------------------

Approvals / Certificates

General approvals

Logo	Approval	Additional Approval Text	Certificate name
	EAC Brjansker Zertifizierungsstelle	TP TC 004/2011, TP TC 020/2011	EAC RU C-DE.AM02.B.00111 /19

Declarations of conformity and manufacturer's declarations

Logo	Approval	Additional Approval Text	Certificate name
	EU-Declaration of Conformity	-	-

Subject to changes. Please also observe the further product documentation!



Optional accessories

Mounting

Current transformer terminal block



Item no.: 2007-8874

Compact terminal block; for current and voltage transformers; 6,00 mm²; multicoloured

www.wago.com/2007-8874



Item no.: 2007-8877

Compact terminal block; for current transformer circuit; 6,00 mm²; multicoloured

www.wago.com/2007-8877



Item no.: 2007-8875

Compact terminal block; for current transformer circuit; 6,00 mm²; multicoloured

www.wago.com/2007-8875



Item no.: 2007-8876

Compact terminal block; for 3-phase current transformer circuit; 6,00 mm²; multicoloured

www.wago.com/2007-8876



Item no.: 2007-8873

Compact terminal block; for current and voltage transformers; 6,00 mm²; multicoloured

www.wago.com/2007-8873

Signal conditioner

Power measurement module



Item no.: 2857-570/024-001

3-Phase Power Measurement Module; 3x277/480 V/1 A; Modbus RTU; Digital output; Configuration via software; Supply voltage: 24 VDC

www.wago.com/2857-570/024-001



Item no.: 2857-570/024-005

3-Phase Power Measurement Module; 3x277/480 V/5 A; Modbus RTU; Digital output; Configuration via software; Supply voltage: 24 VDC

www.wago.com/2857-570/024-005



Item no.: 2857-570/024-000

3-Phase Power Measurement Module; 3x277/480 V/RC; Modbus RTU; Digital output; Configuration via software; Supply voltage: 24 VDC

www.wago.com/2857-570/024-000

Voltage signal conditioner

Subject to changes. Please also observe the further product documentation!

WAGO GmbH & Co. KG

Hansastr. 27

32423 Minden

Phone: +49571 887-0 | Fax: +49571 887-169

Email: info.de@wago.com | Web: www.wago.com

Do you have any questions about our products?

We are always happy to take your call at +49 (571) 887-44222.



Item no.: 857-560

Voltage signal conditioner; Voltage input signal; Current and voltage output signal; Digital output; Configuration via software; Supply voltage: 24 VDC; 6 mm module width

www.wago.com/857-560

Current signal conditioner



Item no.: 857-569

Power signal conditioner; Current and voltage input signal; Current and voltage output signal; Digital output; Configuration via software; Supply voltage: 24 VDC; 6 mm module width

www.wago.com/857-569

Tool

Operating tool



Item no.: 855-8000

Allen wrench; with a partially insulated shaft

www.wago.com/855-8000

Fuse

Fuse



Item no.: 855-8020

Miniature fuse; 5 x 25 mm; with indicator

www.wago.com/855-8020

Downloads

Documentation

Bid Text

855-8015 docx - Datei	2019 Feb 20	docx 17.8 kB	Download
855-8015 X81 - Datei	2019 Feb 19	xml 4.9 kB	Download

Instruction Leaflet

Potentialabgriffe	V 1.0.0	pdf 736.5 kB	Download
-------------------	---------	-----------------	----------

Additional Information

Disposal and Recycling Electrical and electronic equipment, Batteries, Packaging	V 1.1.0 2022 Aug 18	pdf 2.2 MB	Download
---	------------------------	---------------	----------

Environmental Product Compliance

Compliance Search

Subject to changes. Please also observe the further product documentation!

Environmental Product Compliance 855-8015

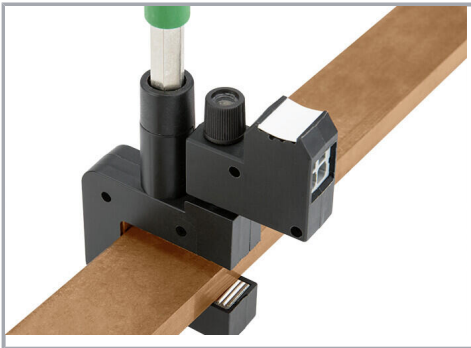
[URL](#)

[Download](#)

Power tap; for busbar; with fuse; Clamping connection

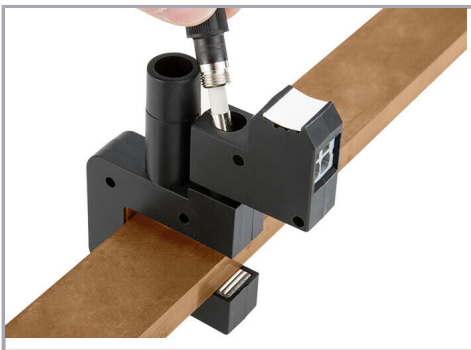
Installation Notes

Installation



Installation on busbar; fastening with Allen wrench

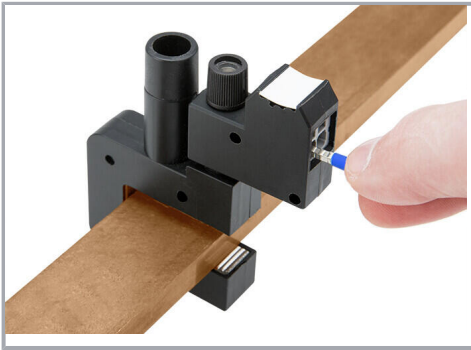
Installation



Integrated SIBA fuse (overload and short circuit protection)

Installation

Subject to changes. Please also observe the further product documentation!



Push-in CAGE CLAMP[®] connection technology

Subject to changes. Please also observe the further product documentation!