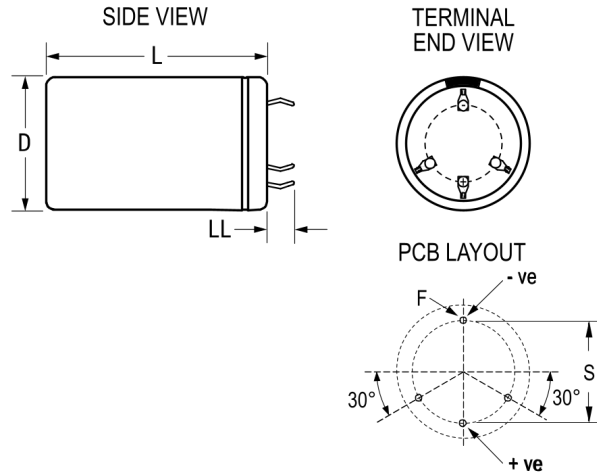


## ALC80C241DC450

Aliases (A547EE241M450C)

ALC80, Aluminum Electrolytic, 240 uF, 20%, 450 VDC, -40/+105°C



Click [here](#) for the 3D model.

### Dimensions

D	35mm +1mm
L	35mm +/-2mm
S	22.5mm +/-0.1mm
LL	6.3mm +/-1mm
F	2mm +/-0.1mm

### Packaging Specifications

Sleeving	Yes
Packaging	Bulk, Bag

### General Information

Series	ALC80
Dielectric	Aluminum Electrolytic
Description	Snap-In, Aluminum Electrolytic
RoHS	Yes
Lead	4 Pin
AEC-Q200	No
Halogen Free	Yes
Component Weight	60 g
Notes	Dimensions D And L Include Sleeving.
Shelf Life	156 Weeks

### Specifications

Capacitance	240 uF
Capacitance Tolerance	20%
Voltage DC	450 VDC, 495 VDC (Surge)
Temperature Range	-40/+105°C
Rated Temperature	105°C
Life	8000 Hrs (Rated Voltage And Ripple Current At 105C), 13000 Hrs (Rated Voltage At 105C)
Resistance	541.2 mOhms (100Hz 20C), 311.5 mOhms (10kHz 20C)
Ripple Current	1.81 Amps (100Hz 105C), 5.092 Amps (10kHz 105C)
Leakage Current	324 uA (5min 20°C)