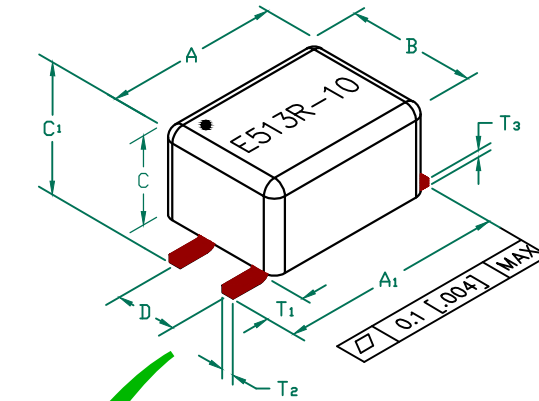


CC2824E513R-10

ELECTRICAL SPECIFICATION @ 25°C
OPERATING TEMPERATURE RANGE: -40°C TO +125°C

PARAMETER SYMBOL	TEST LEADS	CONDITIONS	REQUIREMENTS		
			MIN	TYP	MAX
Lp (μH)	1-4/2-3	@ 100KHz/ 10mV	35.7	51	66.3
L LEAKAGE (μH)	1-4 (s' 2-3)	@ 100KHz/ 10mV		2.0	
TRP			1 : 1 +/- 5%		
DCR(Ω)	1-4/2-3			0.16	0.30
Hi-pot	wdg-wdg	(Vac) .5mA, 2sec.	250		
RATED CURRENT (mA)					800
RATED VOLTAGE (Vdc)					80

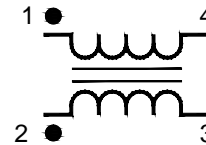


PHYSICAL DIMENSIONS:

A	7.50 [.295]	+	MAX.
A ₁	9.00 [.354]	+	0.40 [.016]
B	5.50 [.217]	+	MAX.
C	3.80 [.150]	+	MAX.
C ₁	4.90 [.193]	+	MAX.
D	2.54 [.100]	+	0.10 [.004]
T ₁	1.75 [.069]	+	TYP.
T ₂	0.50 [.020]	+	0.10 [.004]
T ₃	0.30 [.012]	+	0.10 [.004]

WEIGHT/1000 0.28 kgs [.62 Lbs]

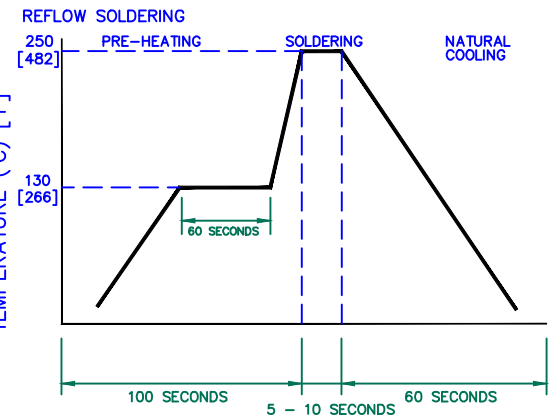
RoHS



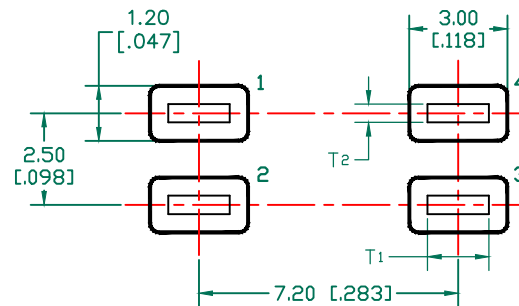
NOTES: UNLESS OTHERWISE SPECIFIED

1. TAPED AND REELED ON 13" REELS, 1500 PCS/REEL.
2. OPEN BOTTOM CONSTRUCTION.

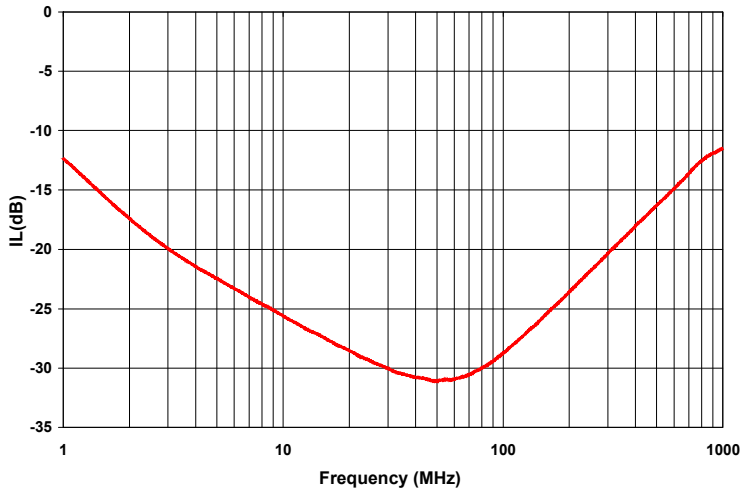
RECOMMENDED SOLDERING CONDITIONS



LAND PATTERNS FOR REFLOW SOLDERING



Typical Insertion Loss @ 50 ohm



DIMENSIONS ARE IN mm [INCHES].				This print is the property of Laird Tech. and is loaned in confidence subject to return upon request and with the understanding that no copies shall be made without the written consent of Laird Tech. All rights to design or invention are reserved.			
F	ADD RATING VOLTAGE	07/20/16	DC	PROJECT/PART NUMBER: CC2824E513R-10	REV F	PART TYPE: ASSEMBLY	DRAWN BY: JRK
E	ADD RATING VOLTAGE	07/25/13	QIU				
D	CHANGE THE INDUCTANCE TEST VOLTAGE	03/11/10	JUN				
C	UPDATE COMPANY LOGO	04/24/09	JRK				
B	UPDATE COMPANY LOGO	05/10/07	JRK				
A	ORIGINAL DRAFT	06/08/05	JRK	DATE: 06/08/05	SCALE: NTS	SHEET: 1 of 1	
REV	DESCRIPTION	DATE	INT	CAD # CC2824E513R-10-F	TOOL # -		

