

NO: PX-058
DATE: April 2014

PRODUCT: E2E Specials Proximity Sensors
TYPE: Discontinuation Notice

E2E Proximity Sensors Modified for Specific Customers will be Discontinued March 2015

The E2E Proximity Sensors that are specially modified for specific customers will be discontinued at the end of March 2015. Many of these products have low sales volume and use an older manufacturing platform that is being phased out. Recommended replacements are standard products and to use them will require some minor redesign by the customer.

Affected Parts

Product discontinuation	Recommended replacement
E2E-X3D1-M1G-T1	E2EQ-X3D1G-M1GJ-T 0.3M
E2E-X7D1-M1G-T1	E2EQ-X7D1G-M1GJ-T 0.3M
E2E-X10D1-M1G-T1	E2EQ-X10D1G-M1GJ-T 0.3M E2FM-QX10D1-M1GJ-T 0.3M
E2E-X7D2-M1G-T1	E2EQ-X7D1G-M1GJ-T 0.3M E2EQ-X10D2R-M1GJ-T4 0.3M
E2E-X10D2-M1G-T1	E2EQ-X10D2R-M1GJ-T4 0.3M
E2E-X10D2-M1G-T3	E2EQ-X10D2R-M1GJ-T4 0.3M
E2E-X3D1-M1J-T1 0.3M	E2EQ-X3D1G-M1GJ-T 0.3M
E2E-X3D1-M1J-T1 0.5M	E2EQ-X3D1G-M1GJ-T 0.3M
E2E-X7D1-M1J-T1 0.3M	E2EQ-X7D1G-M1GJ-T 0.3M
E2E-X7D1-M1J-T1 0.5M	E2EQ-X7D1G-M1GJ-T 0.3M
E2E-X10D1-M1J-T1 0.3M	E2EQ-X10D1G-M1GJ-T 0.3M E2FM-QX10D1-M1GJ-T 0.3M
E2E-X10D1-M1J-T1 0.5M	E2EQ-X10D1G-M1GJ-T 0.3M E2FM-QX10D1-M1GJ-T 0.3M
E2E-X3D1-M1GJ-T1 0.5M	E2EQ-X3D1G-M1GJ-T 0.3M
E2E-X7D1-M1GJ-T1 0.5M	E2EQ-X7D1G-M1GJ-T 0.3M
E2E-X10D1-M1GJ-T1 0.5M	E2EQ-X10D1G-M1GJ-T 0.3M E2FM-QX10D1-M1GJ-T 0.3M
E2E-X3D1-M1J-T1N 0.3M	E2EQ-X3D1G-M1GJ-T 0.3M
E2E-X7D1-M1J-T1N 0.3M	E2EQ-X7D1G-M1GJ-T 0.3M
E2E-X10D1-M1J-T1N 0.3M	E2EQ-X10D1G-M1GJ-T 0.3M E2FM-QX10D1-M1GJ-T 0.3M
E2E-X10D2-M1J-T4N 0.3M	E2EQ-X10D2R-M1GJ-T4 0.3M
E2E-X3D1-N3 0.5M	E2EQ-X3D1G-M1GJ-T 0.3M
E2E-X7D1-N3 0.5M	E2EQ-X7D1G-M1GJ-T 0.3M
E2E-X10D1-N3 0.5M	E2EQ-X10D1G-M1GJ-T 0.3M E2FM-QX10D1-M1GJ-T 0.3M
E2E-X7D1-N11 0.3M	E2EQ-X7D1G-M1GJ-T 0.3M
E2E-X10D1-16 2M	E2EF-QX12D1 2M E2EQ-X10D1 2M
E2E-X3D1-N14 0.5M	E2EF-QX3D1-M1TGJ 0.3M
E2E-X3D1-N1 2M	E2EQ-X4X1 2M
E2E-X7D1-N1 2M	E2EQ-X8X1 2M
E2E-X7D1-N1 10M	No recommended replacement

Product discontinuation	Recommended replacement
E2E-X10D1-N1 2M	E2EQ-X15X1 2M
E2E-X5E1-6 2M	E2FM-X5C1 2M
E2E-X7D1-N12 2M	E2FM-X5D1 2M E2EF-X7D1 2M
E2E-X2F1-3 2M	E2EM-X4X1-1 2M
E2E-X1R5Y1-G7 2M	No recommended replacement
E2E-X1R5Y2-G7 2M	No recommended replacement
E2E-X10Y1-5 2M	E2E-X10Y1-US 2M
E2E-X10Y1-5 5M	E2E-X10Y1-US 5M
E2E-X1R5E1-16 2M	E2E-X2E1 2M E2E-X1R5E1 2M
E2E-X2D1-N8 2M	E2E-X2D1-N 2M E2E-X3D1-N 2M
E2E-X2E1-12 2M	E2E-X5E1 2M
E2E-X1R5E1-15 2M	E2E-X1R5E1 2M

Changes

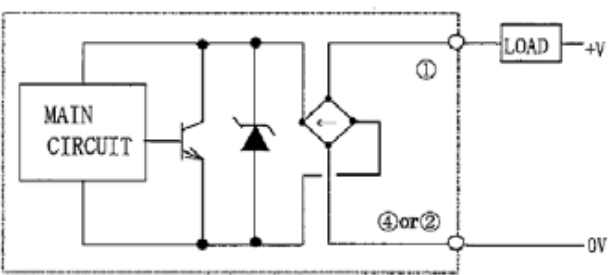
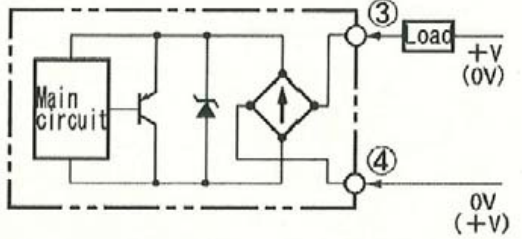
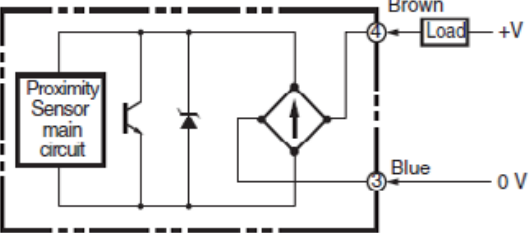
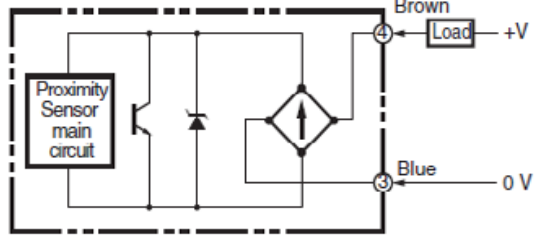
Body color

Product discontinuation	Recommended replacement
Model E2E-X[]D1-M1G-T1 Model E2E-X[]D1-M1GJ-T1 Model E2E-X[]D1-M1J-T1[] Model E2E-X[]D1-N3/-N11 Case: Black Sensing surface: White Cable: Gray	Model E2EQ-X[]D1G-M1GJ-T Case: Black Sensing surface: White Cable: Gray Model E2FM-QX[]D1-M1GJ-T Case: Black Sensing surface: Black Cable: Gray
Model E2E-X10D2-M1J-T4N Model E2E-X10D2-M1G-T1/-T3 Case: Black Sensing surface: Black Cable: Gray	Model E2EQ-X10D2R-M1GJ-T Case: Black Sensing surface: Gray Cable: Gray
Model E2E-X10D1-16 Case: Black Sensing surface: White Cable: Red	Model E2EQ-X10D1 Case: Black Sensing surface: White Cable: Gray Model E2EF-QX12D1 Case: Black Sensing surface: Black Cable: Gray
Model E2E-X3D1-N14 Case: Black Sensing surface: White Cable: Gray	Model E2EF-QX3D1-M1TGJ Case: Black Sensing surface: Black Cable: Gray
Model E2E-X[]D1-N1 Case: Black Sensing surface: White Cable: Gray	Model E2EQ-X[]X1 Case: Black Sensing surface: White Cable: Gray
Model E2E-X5E1-6 Model E2E-X7D1-N12 Case: Silver Sensing surface: White Cable: Gray	Model E2FM-X5C1 Model E2FM-X5D1/E2EF-X7D1 Case: Silver Sensing surface: Silver Cable: Gray

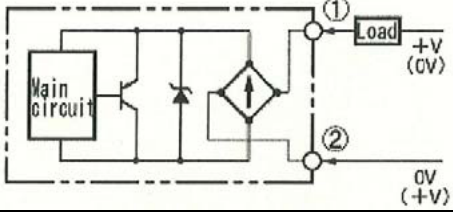
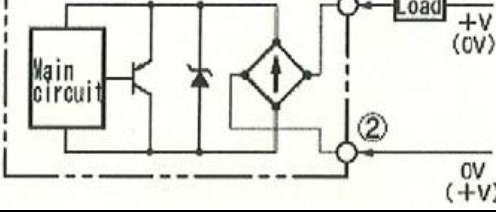
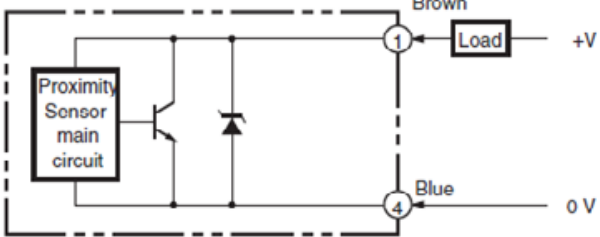
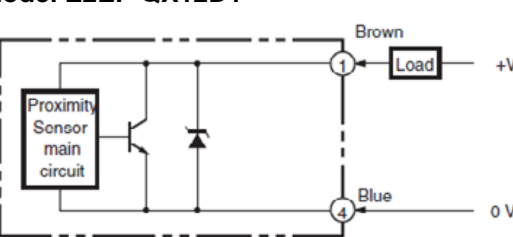
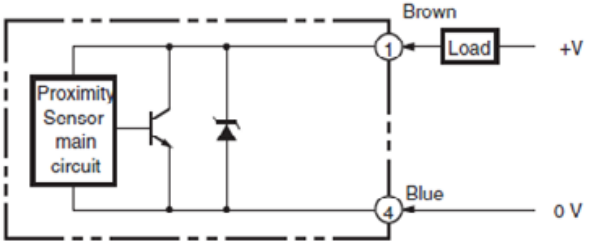
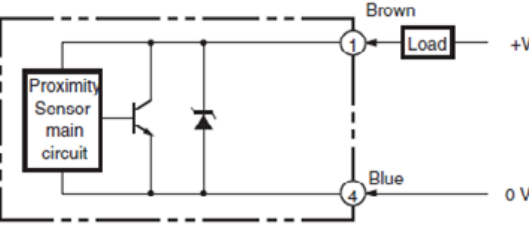
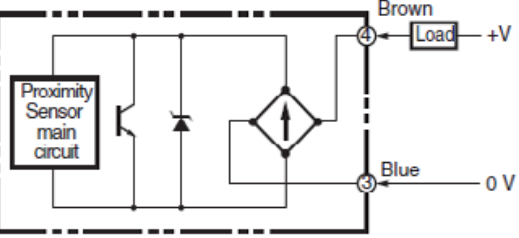
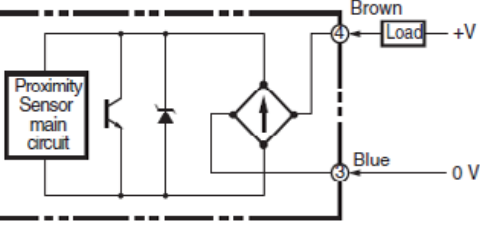
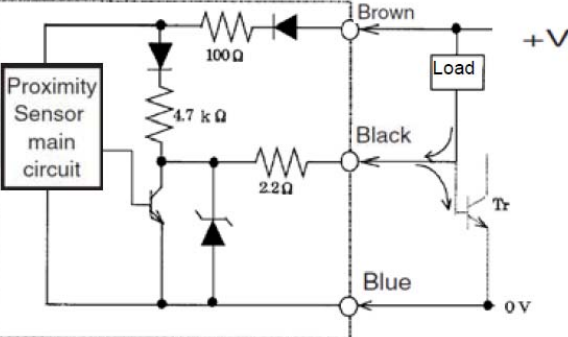
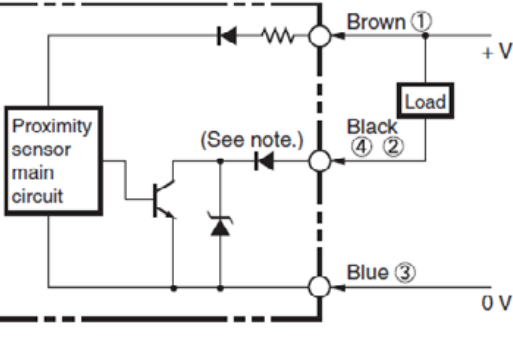
Body Color continued

Product discontinuation	Recommended replacement
Model E2E-X2F1-3 Case: Silver Sensing surface: Ivory Cable: Gray	Model E2EM-X4X1-1 Case: Silver Sensing surface: Ivory Cable: Gray
Model E2E-X10Y1-5 Case: Silver Sensing surface: Ivory Cable: Gray	Model E2E-X10Y1-US Case: Silver Sensing surface: Ivory Cable: Gray
Model E2E-X1R5E1-16 Case: Silver Sensing surface: Ivory Cable: Gray	Model E2E-X1R5E1 Case: Silver Sensing surface: Ivory Cable: Gray Model E2E-X2E1 Case: Silver Sensing surface: Ivory Cable: Gray
Model E2E-X2D1-N8 Case: Silver Sensing surface: Ivory Cable: Gray	Model E2E-X2D1-N Case: Silver Sensing surface: Ivory Cable: Gray Model E2E-X3D1-N Case: Silver Sensing surface: Ivory Cable: Gray
Model E2E-X2E1-12 Case: Silver Sensing surface: Ivory Cable: Gray	Model E2E-X5E1 Case: Silver Sensing surface: Ivory Cable: Gray
Model E2E-X1R5E1-15 Case: Silver Sensing surface: Ivory Cable: Gray	Model E2E-X1R5E1 Case: Silver Sensing surface: Ivory Cable: Gray

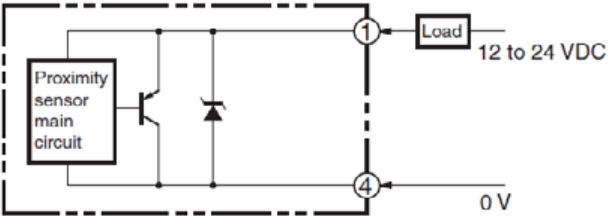
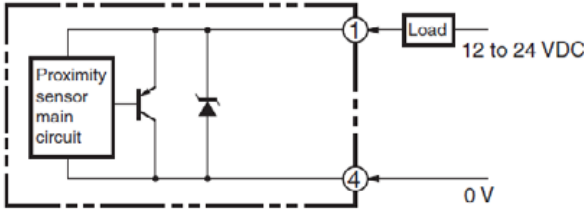
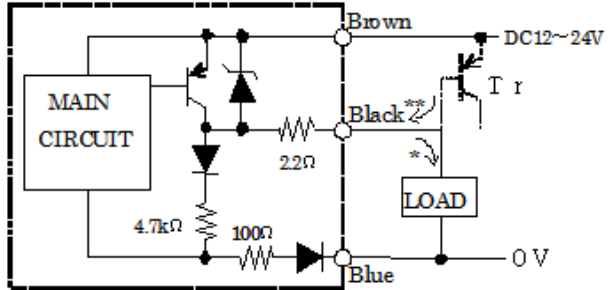
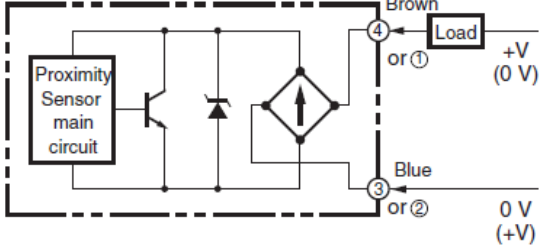
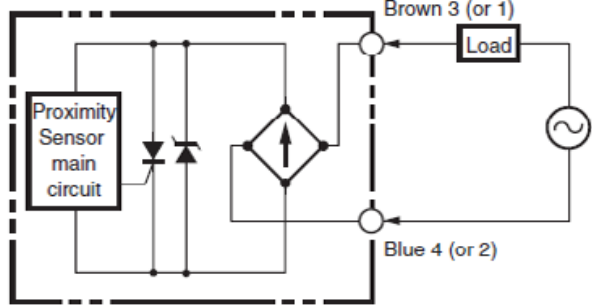
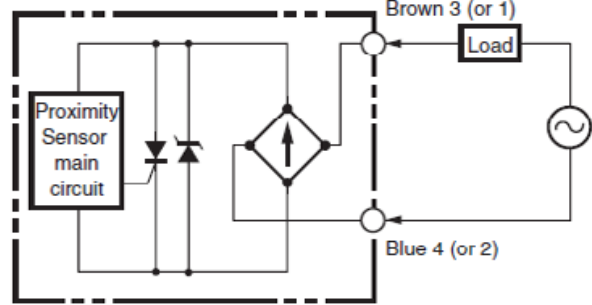
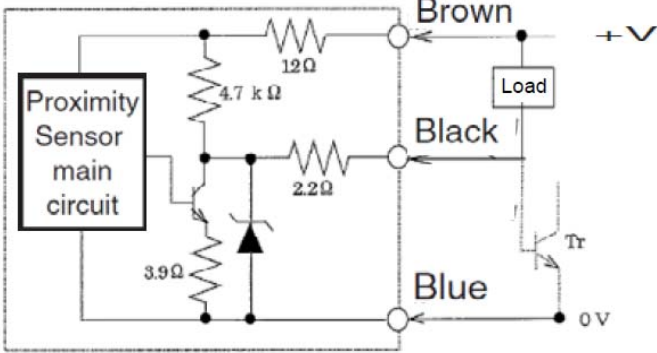
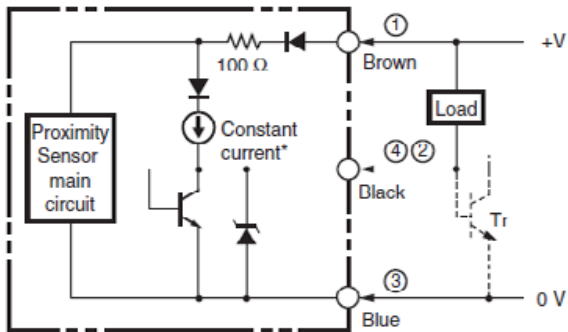
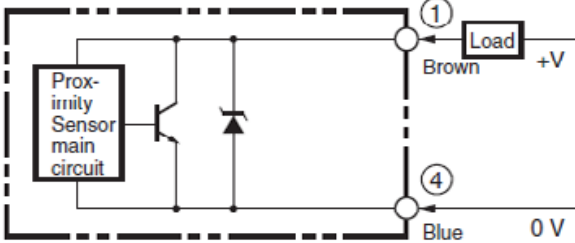
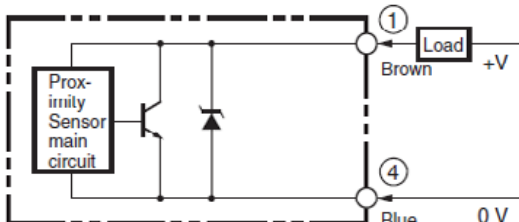
Wiring Diagrams

Product discontinuation	Recommended replacement
Model E2E-X[]D1-M1G-T1 Model E2E-X[]D1-M1GJ-T1 Model E2E-X[]D1-N11 	Model E2EQ-X[]D1G-M1GJ-T 
Model E2E-X[]D1-M1J-T1[] Model E2E-X[]D1-N3 	Model E2FM-QX[]D1-M1GJ-T 

Wiring Diagrams continued

Product discontinuation	Recommended replacement
<p>Model E2E-X10D2-M1J-T4N Model E2E-X10D2-M1G-T1/-T3</p> 	<p>Model E2EQ-X10D2R-M1GJ-T4</p> 
<p>Model E2E-X10D1-16</p> 	<p>Model E2EQ-X10D1 Model E2EF-QX12D1</p> 
<p>Model E2E-X3D1-N14</p> 	<p>Model E2EF-QX3D1-M1TGJ</p> 
<p>Model E2E-X[]D1-N1</p> 	<p>Model E2EQ-X[]X1</p> 
<p>Model E2E-X5E1-6</p> 	<p>Model E2FM-X5C1</p> 

Wiring Diagrams continued

Product discontinuation	Recommended replacement
<p>Model E2E-X7D1-N12</p> 	<p>Model E2FM-X5D1/E2EF-X7D1</p> 
<p>Model E2E-X2F1-3</p>  <p>*200mA max. (Load current) **Dotted line denotes the circuit when the load is a transistor circuit</p>	<p>Model E2EM-X4X1-1</p> 
<p>Model E2E-X10Y1-5</p> 	<p>Model E2E-X10Y1-US</p> 
<p>Model E2E-X1R5E1-16</p> 	<p>Model E2E-X1R5E1 Model E2E-X2E1</p> 
<p>Model E2E-X2D1-N8</p> 	<p>Model E2E-X2D1-N Model E2E-X3D1-N</p> 

Wiring Diagrams continued

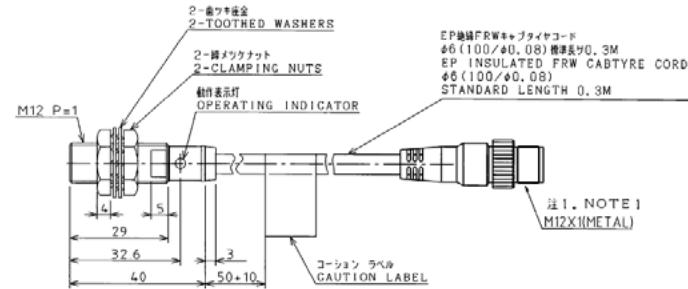
Product discontinuation	Recommended replacement
<p>Model E2E-X2E1-12</p>	<p>Model E2E-X5E1</p>
<p>Model E2E-X1R5E1-15</p>	<p>Model E2E-X1R5E1</p>

Dimensions

Product discontinuation	Recommended replacement
<p>Model E2E-X3D1-M1G-T1</p> <p>2-歯ワッシャー 2-TOOTHED WASHERS 2-締マツクナット 2-CLAMPING NUTS 動作表示灯 OPERATING INDICATOR</p> <p>M12 P=1</p> <p>4</p> <p>29</p> <p>33</p> <p>5</p> <p>M12×1</p>	<p>Model E2EQ-X3D1G-M1GJ-T</p> <p>dia.21</p> <p>17</p> <p>50.3</p> <p>34</p> <p>4</p> <p>7</p> <p>M12 × 1</p> <p>M12 × 1</p> <p>Two clamping nuts Toothed washer</p> <p>Operation indicator *2</p>
<p>Model E2E-X3D1-M1J-T1</p> <p>2-歯ワッシャー 2-TOOTHED WASHERS 2-締マツクナット 2-CLAMPING NUTS 動作表示灯 OPERATING INDICATOR</p> <p>M12 P=1</p> <p>4</p> <p>29</p> <p>32.6</p> <p>40</p> <p>50±10</p> <p>コソツフ ラベル CAUTION LABEL</p> <p>注1. /NOTE1 M12×1 (METAL)</p> <p>ビニル絶縁丸形コ-フ スミレイズ A 在左電線 (株) φ6 (110/φ0.08) 標準長さ0.3M VINYL INSULATED ROUND CORD SUMIREIZU A SUMITOMO DENSOU CORP. φ Dia. (110/φ0.08 Dia.) STANDARD LENGTH 0.3M</p>	

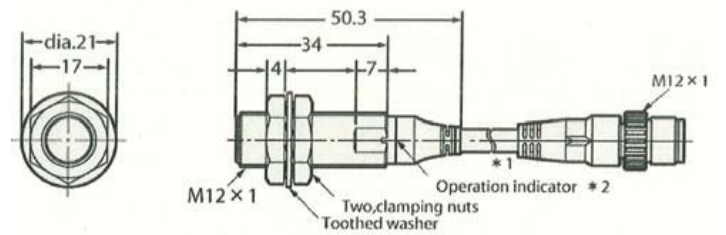
Product discontinuation

Model E2E-X3D1-M1J-T1N/M1GJ-T1

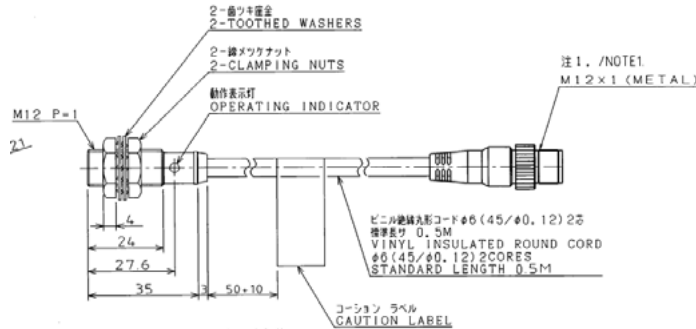


Recommended replacement

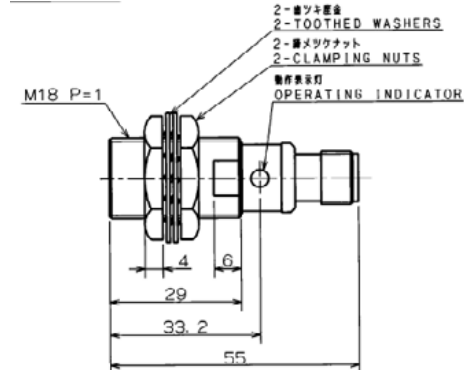
Model E2EQ-X3D1G-M1GJ-T



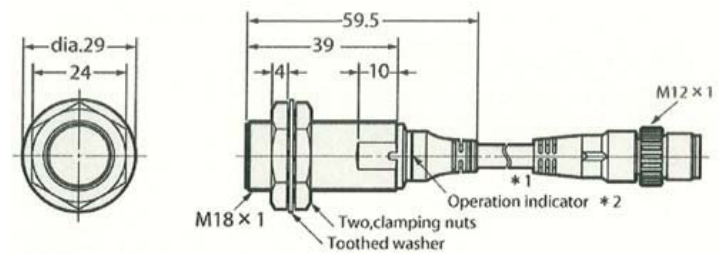
Model E2E-X3D1-N3



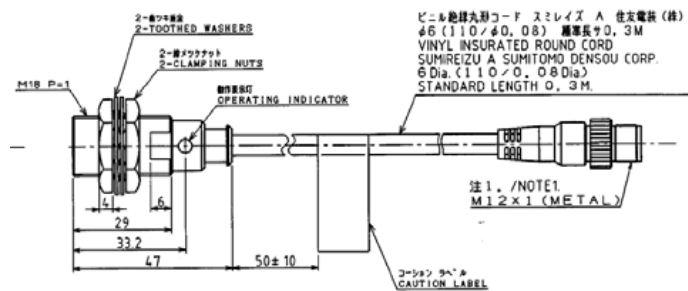
Model E2E-X7D[]-M1G-T1



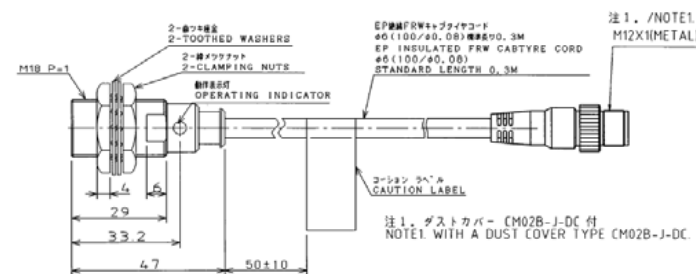
Model E2EQ-X7D1G-M1GJ-T



Model E2E-X7D1-M1J-T1

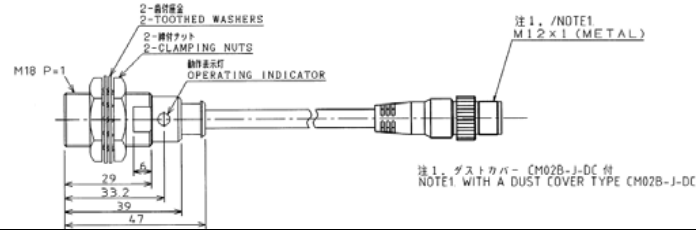


Model E2E-X7D[]-M1GJ-T1/M1J-T[]N

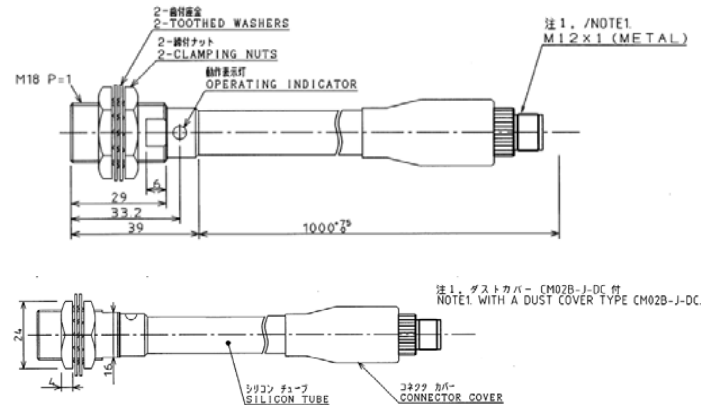


Product discontinuation

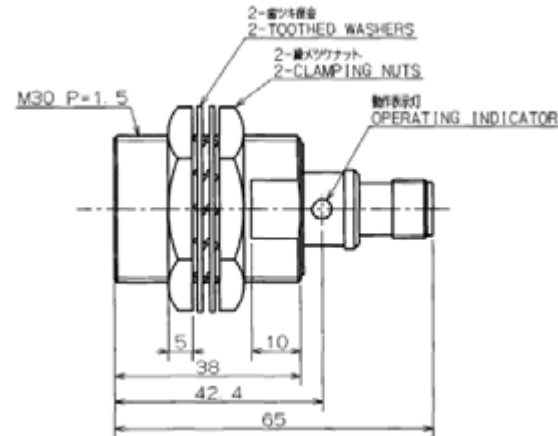
Model E2E-X7D1-N3



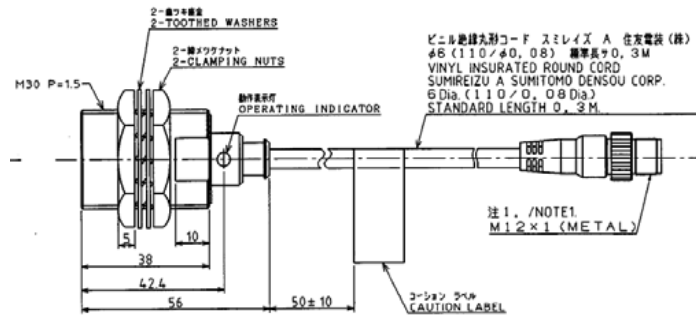
Model E2E-X7D1-N11



Model E2E-X10D[]-M1G-T1

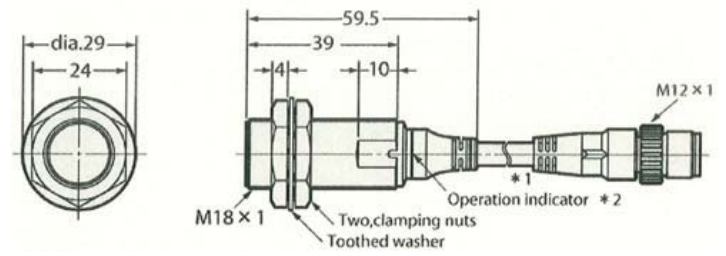


Model E2E-X10D1-M1J-T1

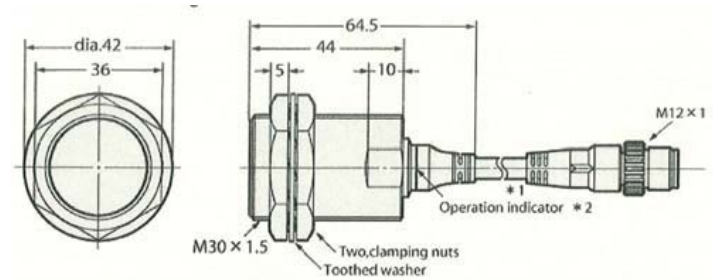


Recommended replacement

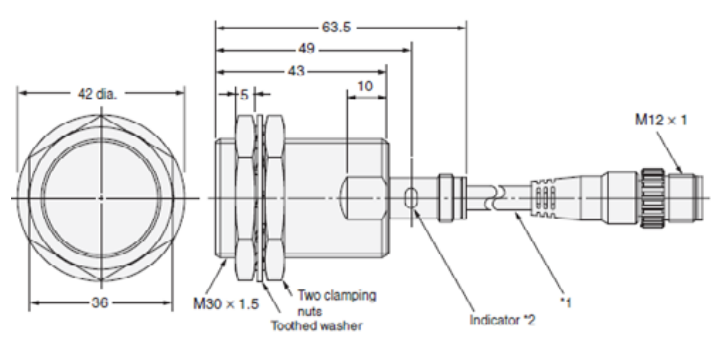
Model E2EQ-X7D1G-M1GJ-T



Model E2EQ-X10D1G-M1GJ-T

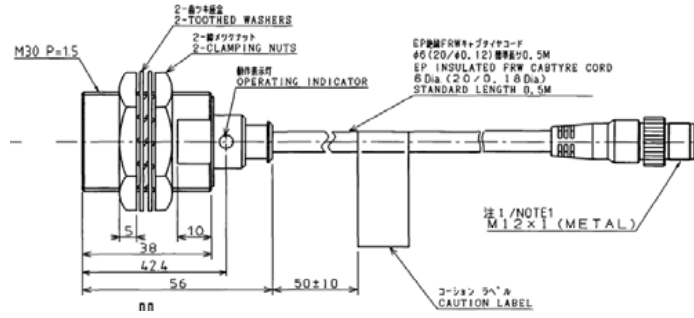


Model E2FM-QX10D1-M1GJ-T



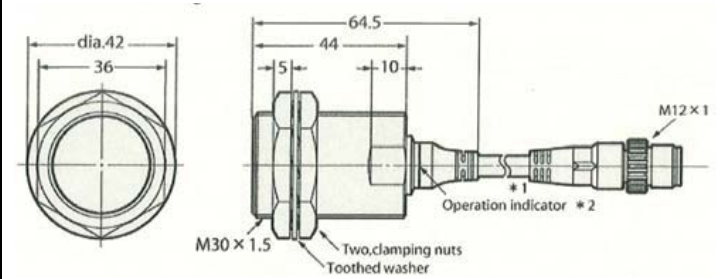
Product discontinuation

Model E2E-X10D1-M1J-T1N/M1GJ-T1

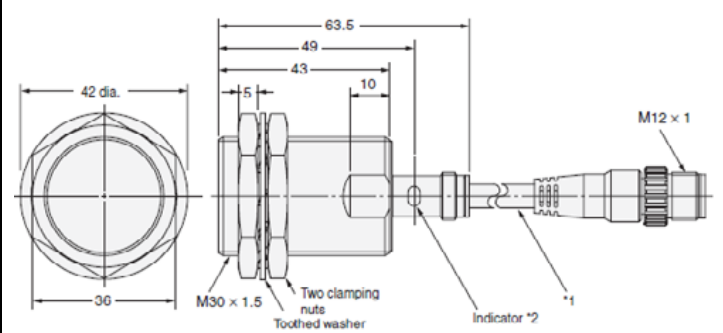


Recommended replacement

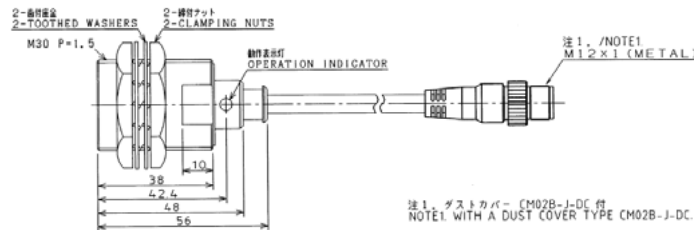
Model E2EQ-X10D1G-M1GJ-T



Model E2FM-QX10D1-M1GJ-T

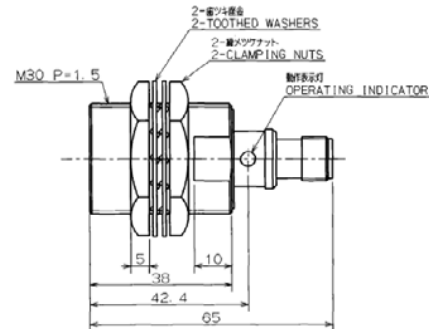


Model E2E-X10D1-N3



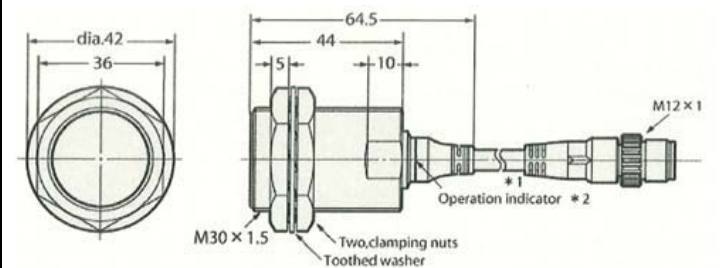
Product discontinuation

Model E2E-X10D2-M1G-T1/T3



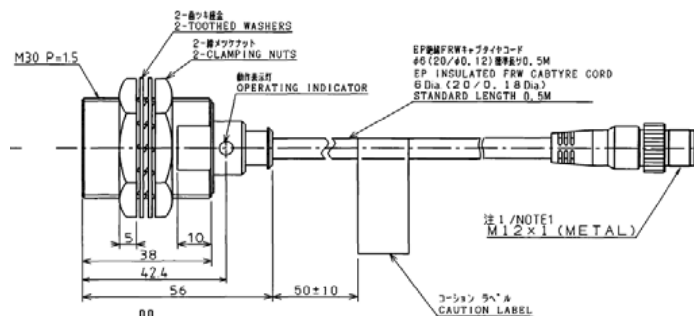
Recommended replacement

Model E2EQ-X10D2R-M1GJ-T4



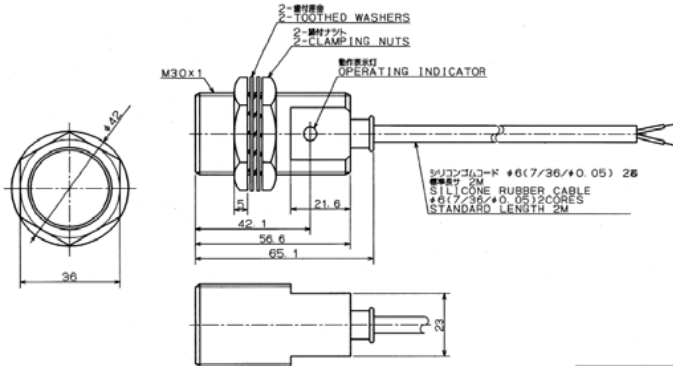
- * 1.Vinyl-insulated round cable (flame-resistant) 6dia. standard length:300mm
- * 2.NO models: Operation indicator (red/green) Set indicator (green)
NC models: Operation indicator (red)

Model E2E-X10D2-M1J-T4N



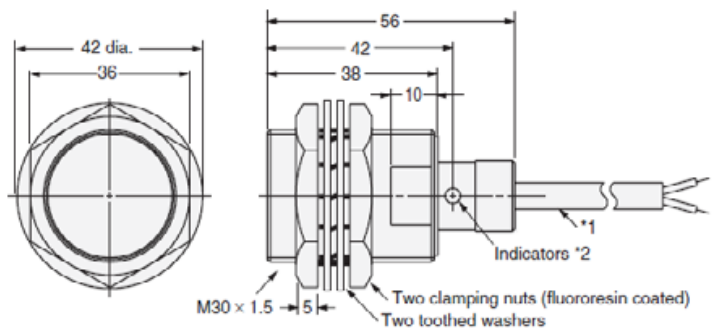
Product discontinuation

Model E2E-X10D1-16

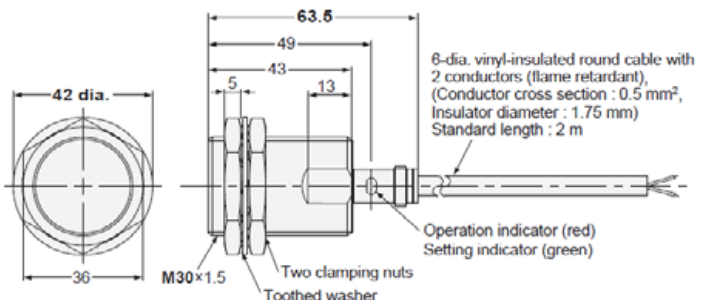


Recommended replacement

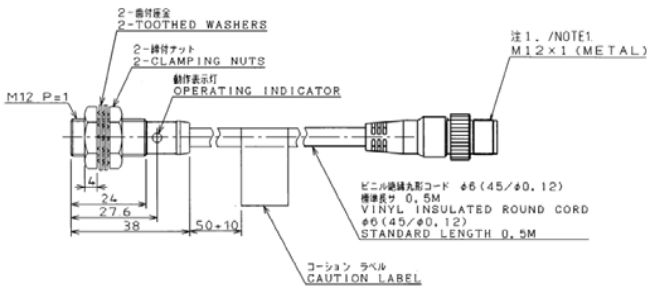
Model E2EQ-X10D1



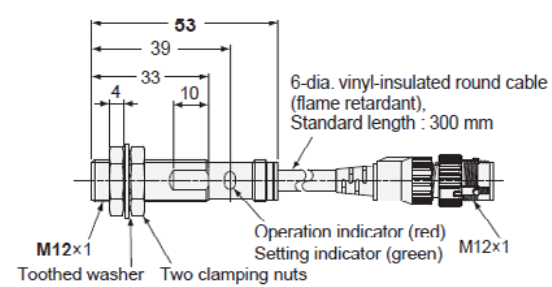
Model E2EF-QX12D1



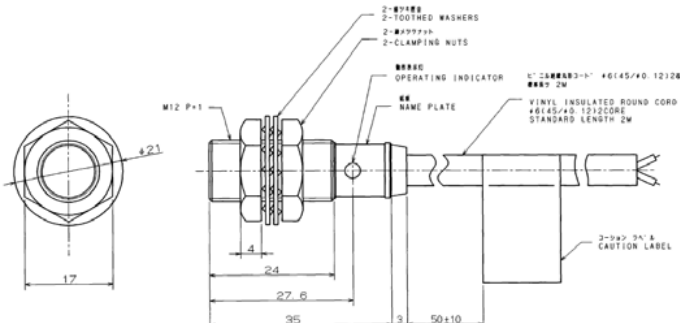
Model E2E-X3D1-N14



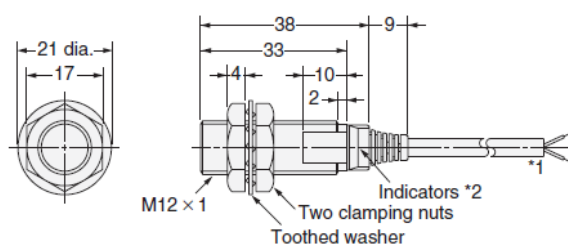
Model E2EF-QX3D1-M1TGJ



Model E2E-X3D1-N1

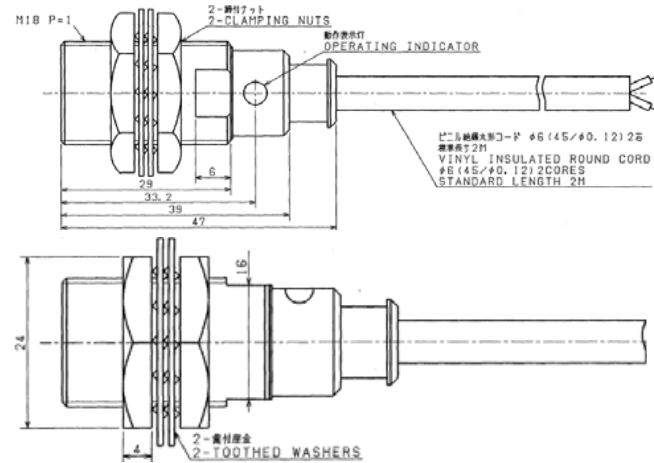


Model E2EQ-X4X1



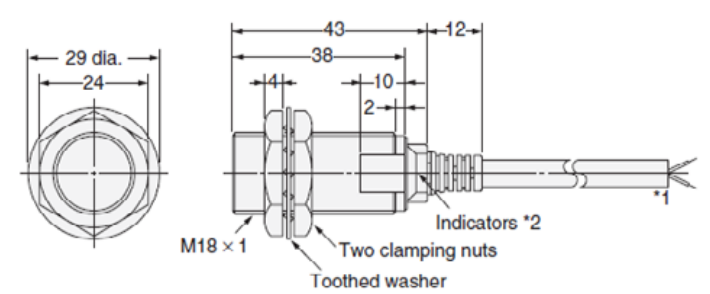
Product discontinuation

Model E2E-X7D1-N1

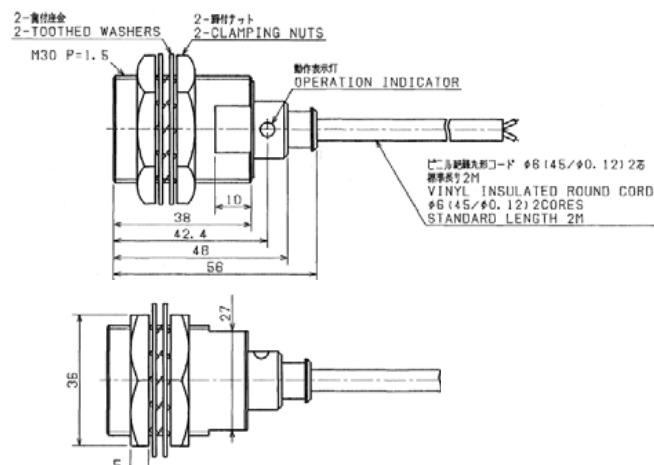


Recommended replacement

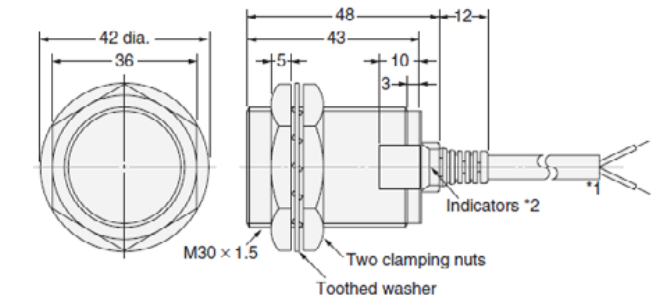
Model E2EQ-X8X1



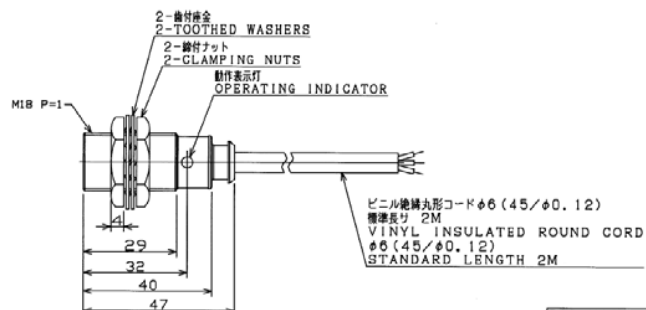
Model E2E-X10D1-N1



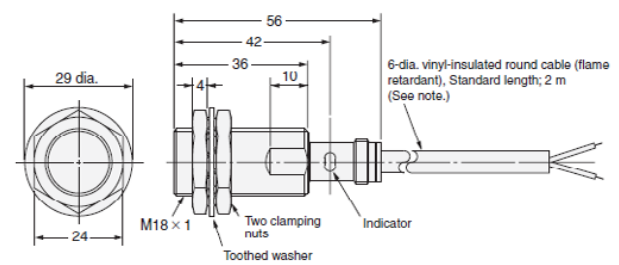
Model E2EQ-X15X1



Model E2E-X5E1-6

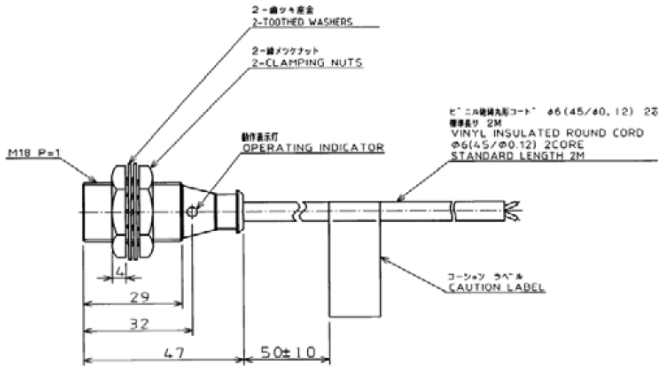


Model E2FM-X5C1



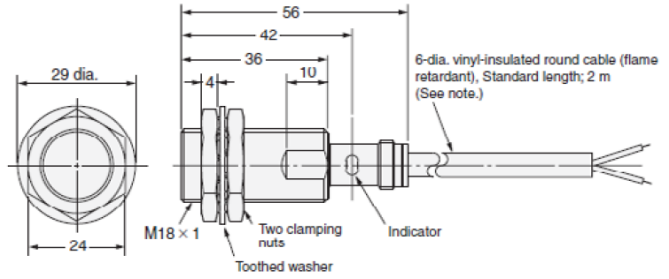
Product discontinuation

Model E2E-X7D1-N12

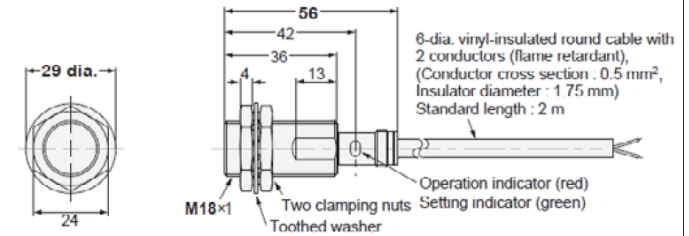


Recommended replacement

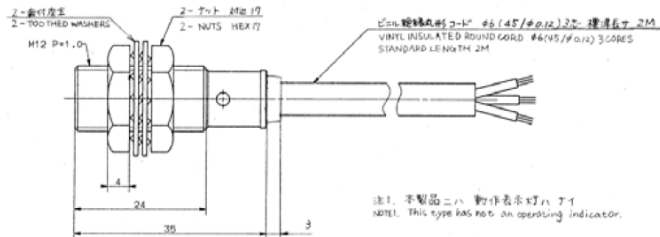
Model E2FM-X5D1



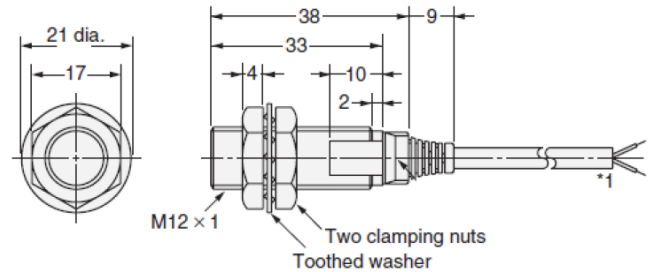
Model E2EF-X7D1



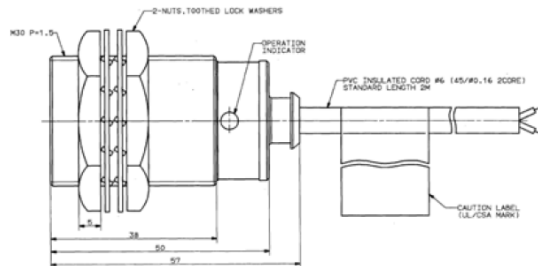
Model E2E-X2F1-3



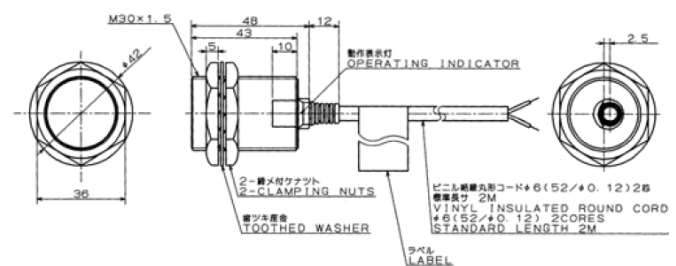
Model E2EM-X4X1-1



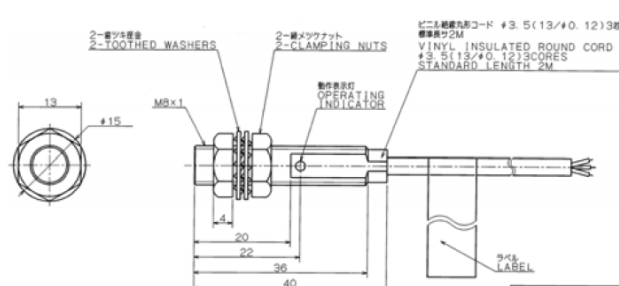
Model E2E-X10Y1-5



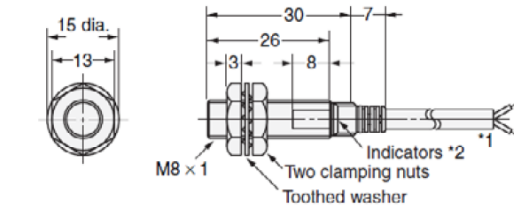
Model E2E-X10Y1-US



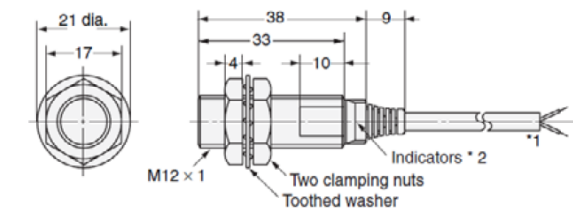
Model E2E-X1R5E1-16



Model E2E-X1R5E1



Model E2E-X2E1

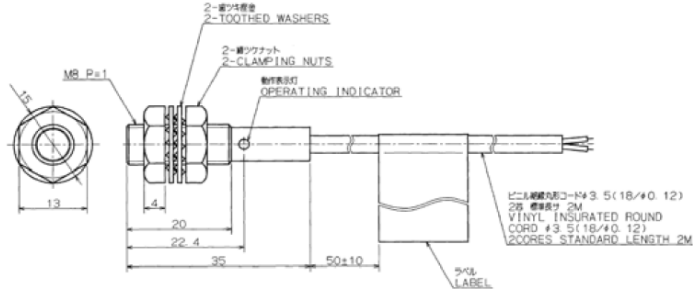


Mounting



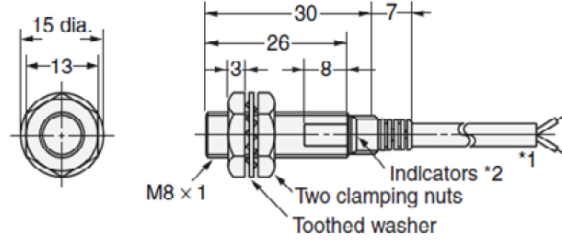
Product discontinuation

Model E2E-X2D1-N8

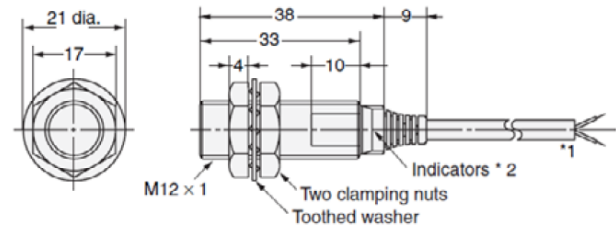


Recommended replacement

Model E2E-X2D1-N



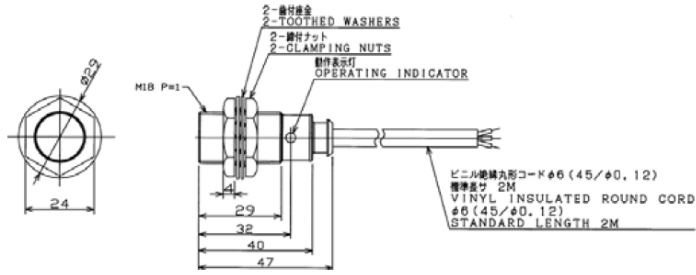
Model E2E-X3D1-N



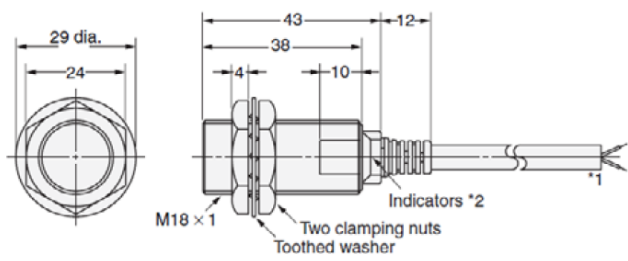
Mounting



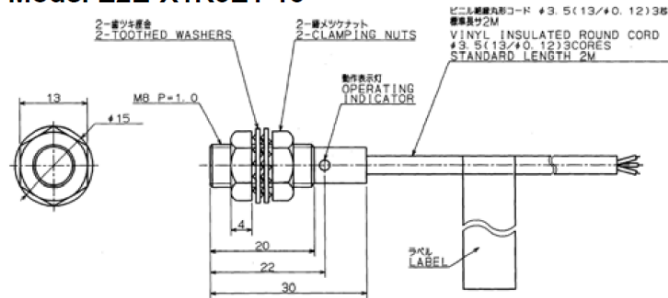
Model E2E-X2E1-12



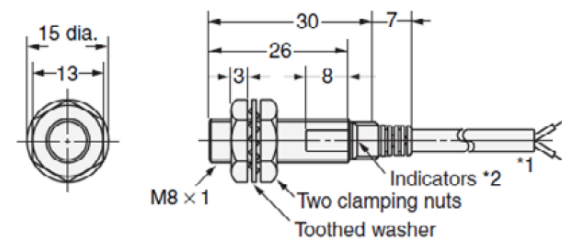
Model E2E-X5E1



Model E2E-X1R5E1-15



Model E2E-X1R5E1



Characteristics

Item	Product discontinuation	Recommended replacement	Recommended replacement
	Model E2E-X[D]-M1-T1(N) Model E2E-X[D]-M1-T4(N) Model E2E-X[D]-N3/-N11	Model E2EQ-X[D]G-M1GJ-T Model E2EQ-X[D]R-M1GJ-T4	Model E2FM-QX10D1-M1GJ-T
Sensing distance	X3: 3 mm X7: 7 mm X10: 10 mm	X3: 3 mm X7: 7 mm X10: 10 mm	10 mm
Response frequency	X3: 1 kHz X7: 0.5 kHz X10: 0.4 kHz	X3: 1 kHz X7: 0.5 kHz X10: 0.4 kHz	0.05 kHz
Power supply	12 to 24 V	10 to 32 V	10 to 30 V
Leakage current	0.8 mA	0.8 mA	0.8 mA
Residual voltage	5 V	5 V	5 V
Operation mode	D1: NO D2: NC	D1: NO D2: NC	D1: NO
Output configuration	Nonpolarity	Nonpolarity	Nonpolarity
Switching capacity	5 to 100 mA	3 to 100 mA	3 to 100 mA
Indicators	D1: Red/Green D2: Red	D1: Red/Green D2: Red	Red/Green

Item	Product discontinuation	Recommended replacement	Recommended replacement
	Model E2E-X10D1-16	Model E2EQ-X10D1	Model E2EF-QX12D1
Sensing distance	10 mm	10 mm	12 mm
Response frequency	0.4 kHz	0.4 kHz	0.05 kHz
Power supply	12 to 24 V	10 to 30 V	10 to 30 V
Leakage current	0.8 mA	0.8 mA	0.8 mA
Residual voltage	5 V	3 V	3 V
Operation mode	D1: NO	D1: NO	D1: NO
Output configuration	Polarity	Polarity	Polarity
Switching capacity	5 to 100 mA	3 to 100 mA	3 to 100 mA
Indicators	Red/Green	Red/Green	Red/Green

Characteristics continued

Item	Product discontinuation	Recommended replacement
	Model E2E-X2D1-N13 Model E2E-X3D1-N14	Model E2EF-QX2D1-M1TGJ Model E2EF-QX3D1-M1TGJ
Sensing distance	X2: 2 mm X3: 3 mm	X2: 2 mm X3: 3 mm
Response frequency	X2: 1.5 kHz X3: 1 kHz	X2: 0.2 kHz X3: 0.08 kHz
Power supply	12 to 24 V	10 to 30 V
Leakage current	0.8 mA	0.8 mA
Residual voltage	3 V	3 V
Operation mode	NO	NO
Output configuration	Polarity	Polarity
Switching capacity	3 to 100 mA	3 to 100 mA
Indicators	Red/Green	Red/Green

Item	Product discontinuation	Recommended replacement
	Model E2E-X[]D1-N1	Model E2EQ-X[]X1
Sensing distance	X3: 3 mm X7: 7 mm X10: 10 mm	X4: 4 mm X8: 8 mm X15: 15 mm
Response frequency	X3: 1 kHz X7: 0.5 kHz X10: 0.4 kHz	X4: 1 kHz X8: 0.5 kHz X15: 0.025 kHz
Power supply	12 to 24 V	10 to 30 V
Leakage current	0.8 mA	0.8 mA
Residual voltage	3 V	3 V
Operation mode	NO	NO
Output configuration	Polarity	Nonpolarity
Switching capacity	3 to 100 mA	3 to 100 mA
Indicators	Red/Green	Red/Green

Characteristics continued

Item	Product discontinuation	Recommended replacement
	Model E2E-X5E1-6 Model E2E-X7D1-N12	Model E2FM-X5C1 Model E2EF-X7D1
Sensing distance	X5: 5 mm X7: 7 mm	X5: 5 mm X7: 7 mm
Response frequency	X5: 0.6 kHz X7: 0.5 kHz	X5: 0.1 kHz X7: 0.1 kHz
Power supply	12 to 24 V	10 to 30 V
Current consumption	E1: 17 mA	C1: 10 mA
Leakage current	D1: 0.8mA	D1: 0.8mA
Residual voltage	E1: 2 V D1: 3 V	C1: 2 V D1: 3 V
Operation mode	E1/D1: NO	C1/D1: NO
Output configuration	E1: Collector load built-in D1: DC 2 W	C1: NPN-Open collector D1: DC 2 W
Switching capacity	E1: 200 mA D1: 3 to 100 mA	C1: 200 mA D1: 3 to 100 mA
Indicators	E1: Red D1: Red/Green	C1: Yellow D1: Red/Green

Item	Product discontinuation	Recommended replacement
	Model E2E-X2F1-3	Model E2EM-X4X1-1
Sensing distance	2 mm	4 mm
Response frequency	1.5 kHz	1 kHz
Power supply	12 to 24 V	10 to 30 V
Current consumption	17mA	---
Leakage current	---	0.8 mA
Residual voltage	2 V	5 V
Operation mode	DC 3 W	DC 2 W
Output configuration	Collector load built-in	Nonpolarity
Switching capacity	200 mA	100 mA
Indicators	None	None

Characteristics continued

Item	Product discontinuation	Recommended replacement
	Model E2E-X10Y1-5	Model E2E-X10Y1-US
Sensing distance	10 mm	10 mm
Response frequency	25 Hz	25 Hz
Power supply	AC 24 to 240 V 50/60 Hz	AC 24 to 240 V 50/60 Hz
Leakage current	1.5 mA	1.7 mA
Operation mode	5 to 300 mA	5 to 300 mA
Indicators	Red	Red

Item	Product discontinuation	Recommended replacement	Recommended replacement
	Model E2E-X1R5E1-16	Model E2E-X1R5E1	Model E2E-X2E1
Sensing distance	1.5 mm	1.5 mm	2 mm
Response frequency	2 kHz	2 kHz	1.5 kHz
Power supply	12 to 24 V	10 to 40 V	10 to 40 V
Current consumption	17 mA	13 mA	13 mA
Residual voltage	2 V	2 V	2 V
Operation mode	NO	NO	NO
Output configuration	Collector load built-in	Collector load built-in	Collector load built-in
Switching capacity	200 mA	200 mA	200 mA
Indicators	Red	Red	Red

Characteristics continued

Item	Product discontinuation	Recommended replacement
	Model E2E-X2D1-N8	Model E2E-X2D1-N Model E2E-X3D1-N
Sensing distance	2 mm	X2: 2 mm X3: 3 mm
Response frequency	1.5 kHz	X2: 1.5 kHz X3: 1 kHz
Power supply	12 to 24 V	10 to 30 V
Leakage current	0.8 mA	0.8 mA
Residual voltage	3 V	3 V
Operation mode	NO	NO
Output configuration	DC 2 W	DC 2 W
Switching capacity	3 to 100 mA	3 to 100 mA
Indicators	Red/Green	Red/Green

Item	Product discontinuation	Recommended replacement
	Model E2E-X2E1-12	Model E2E-X5E1
Sensing distance	2 mm	5 mm
Response frequency	1.5 kHz	0.6 kHz
Power supply	10 to 40 V	10 to 40 V
Current consumption	13 mA	13 mA
Residual voltage	2 V	2 V
Operation mode	NO	NO
Output configuration	Collector load built-in	Collector load built-in
Switching capacity	200 mA	200 mA
Indicators	Red	Red

Characteristics continued

Item	Product discontinuation	Recommended replacement
	Model E2E-X1R5E1-15	Model E2E-X1R5E1
Sensing distance	1.5 mm	1.5 mm
Response frequency	2 kHz	2 kHz
Power supply	10 to 40 V	10 to 40 V
Current consumption	13 mA	13 mA
Residual voltage	2 V	2 V
Operation mode	NO	NO
Output configuration	Collector load built-in	Collector load built-in
Switching capacity	200 mA	200 mA
Indicators	Red	Red

Specifications and prices in this product news are as of the issue date and are subject to change without notice. Only main changes in specifications are described in this document. Please be sure to read the relevant catalogs, datasheets, product specifications, instructions, and manuals for precautions and necessary information when using products.