

### 1. Features :

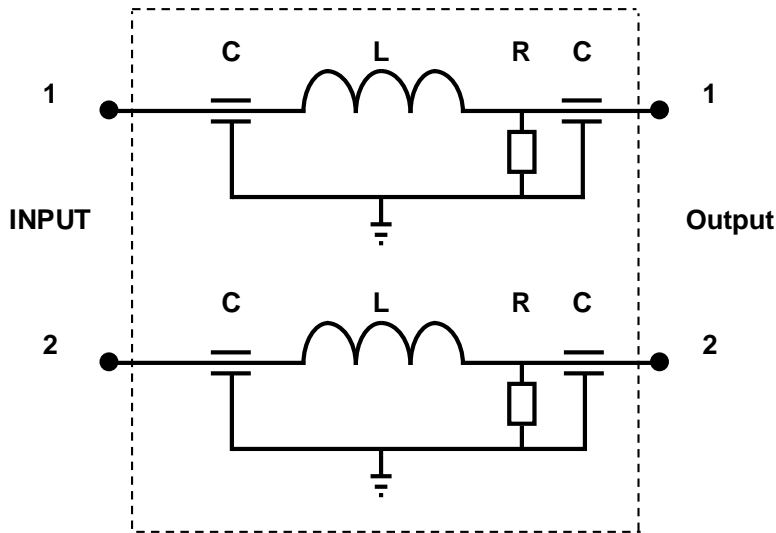
- MRI Room two line filters deliver clean power to MRI scanning equipment to prevent interference with their performance. The filters are designed with minimum leakage current to ground and provide 100dB attenuation minimum from 5MHz to 10GHz.
- Voltage Rating: 120VAC/277VAC
- Frequency: 50/60Hz
- Hi-Pot: Line to Ground: 2250VDC for 2 sec  
Line to Line: 1450VDC for 2 sec
- Ambient Temperature Range: -25°C To +85°C
- Filter components are encapsulated in a plated metal enclosure
- Leakage Current: 50mA max. @ 250VAC 60Hz
- UL and cUL listed



### 2. Electrical Characteristics :

ITG Part Number	Operating Current (A) at 40°C	Output terminal(AWG)
F2771Y015S-001	15	#10
F2771Y030T-001	30	#8
F2771Y050U-001	50	#6

### 3. Schematic:



#### 4. Mechanical Dimensions in mm, ±2mm:

ITG Part Number	L	W	H
F2771Y015S-001	310.0	100.0	70.0
F2771Y030T-001	310.0	100.0	70.0
F2771Y050U-001	310.0	100.0	70.0

