
PIC18C601/801 Rev. B1 Silicon/Data Sheet Errata

The PIC18C601/801 parts you have received conform functionally to the Device Data Sheet (DS39541A), except for the anomalies described below.

All the problems listed here will be addressed in future revisions of the PIC18C601/801 silicon.

1. Module: WDT

When the device is configured for either EC or RC oscillator modes, with the Power-up Timer enabled, bit \overline{TO} of the RCON register (RCON<3>) may default to '0', even though no WDT time-out has occurred.

The \overline{TO} bit functions normally in all other configurations.

Work around

1. Use bit \overline{TO} in conjunction with bit \overline{POR} (RCON<1>) to determine if a RESET condition has occurred.
2. Use the latest silicon revision when it becomes available.

2. Module: I/O

The four Least Significant bits of the data direction registers TRISD, TRISE and TRISJ cannot be written to while the EBDIS bit of the MEMCOM register (MEMCOM<7>) is cleared. These bits remain set (TRISn<7:0>='1111'), and the corresponding pins for their ports remain configured as inputs, until the EBDIS bit is set (= '1').

Work around

1. Write to the four Least Significant bits of TRISD, TRISE and TRISJ, only after setting the EBDIS bit.
2. Use the latest silicon revision when it becomes available.

3. Module: Core (DC Characteristics)

The specification for the device Power-down Current (parameter D020) has changed. The new maximum value is 50 μ A at 85°C.

This new value applies to both standard and extended voltage range devices.

Work around

Use the latest silicon revision when it becomes available.

4. Module: Interrupts

High priority interrupts may become improperly enabled, while low priority interrupts become improperly disabled, at the same time. This may occur when low priority interrupts are in an enabled state and the following conditions occur simultaneously:

- High priority interrupts are being changed from an enabled to a disabled state; and
- One or more low priority interrupts occur.

Work around

1. Always disable low priority interrupts before disabling high priority interrupts. Re-enable the low priority interrupts afterwards, if necessary.
2. Use the latest silicon revision (C1 or higher) when it becomes available.

Date Codes that pertain to this issue:

ALL

<p>Note: When the manufacture date of a newer version of silicon is in production, the last date where this issue may occur will be specified.</p>

PIC18C601/801

Clarifications/Corrections to the Data Sheet:

In the Device Data Sheet (DS39541A), the following clarifications and corrections should be noted.

1. Module: Core (DC Characteristics)

The specification for the device Supply Current (parameter D013, FOSC = 25 MHz, VDD = 5.5V) has changed. The new maximum value is 65 mA.

This new value applies to both standard and extended voltage range devices.

2. Module: Interrupts

The operation of the GIE/GIEH bit (INTCON<7>) is clarified as follows: when the bit is cleared, all interrupts are disabled. This is regardless of the state of the IPEN bit (RCON<7>), the priority of the interrupt, or whether or not the interrupt is

unmasked. This varies from the original description, in which clearing the bit when IPEN = '1' would only disable high priority interrupts.

The seventh paragraph in Section 8.0 of the Device Data Sheet (beginning "When an interrupt is responded to...") is amended by adding the following sentence to the end:

"It is important to note, however, that clearing the GIE/GIEH bit, regardless of the state of the IPEN bit, will disable **all** interrupts."

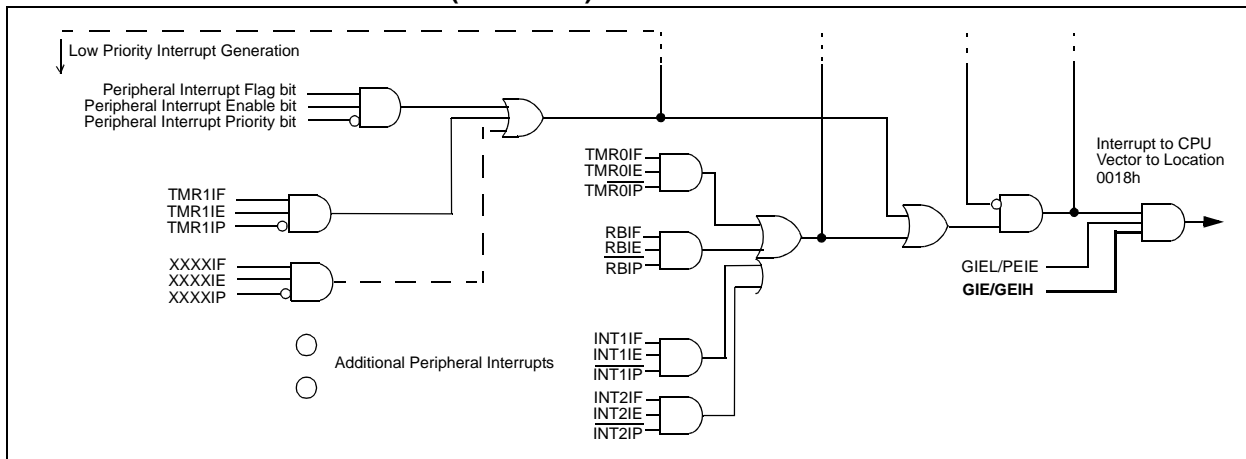
The changes to the bit descriptions in Register 8-1 in the Device Data Sheet are shown in the excerpt below (changes in **bold**).

Also, the interrupt logic funnel shown in Figure 1 of the Device Data Sheet is amended with the addition of a GIE/GIEH control line, as shown in Figure 1 (new material in **bold line**).

REGISTER 8-1: INTCON REGISTER (EXCERPT)

bit 7	<p>GIE/GIEH: Global Interrupt Enable bit</p> <p><u>When IPEN (RCON<7>) = 0:</u></p> <p>1 = Enables all unmasked interrupts</p> <p>0 = Disables all interrupts</p> <p><u>When IPEN (RCON<7>) = 1:</u></p> <p>1 = Enables all high priority interrupts</p> <p>0 = Disables all interrupts</p>
-------	---

FIGURE 1: INTERRUPT LOGIC (EXCERPT)



3. Module: Low Voltage Detect

The minimum and maximum values for specification D420 (LVD voltage) have changed. The new values for Table 22-1 of the Device Data Sheet (DS39541A) are shown in Table 1, below.

Typical values for specification D420 remain unchanged.

Also, the minimum and maximum values for specification D423 (bandgap voltage reference) have been added. These are shown in Table 2, below.

The typical value for specification D423 remains unchanged.

TABLE 1: MINIMUM AND MAXIMUM LOW VOLTAGE DETECT SPECIFICATIONS

Param No	Symbol	Characteristic	New Specification		Data Sheet Specification		Units	
			Min	Max	Min	Max		
D420	VLVD	Low Voltage Detect	LVV<3:0> = 0100	2.34	2.78	2.5	2.66	V
			LVV<3:0> = 0101	2.54	3.02	2.7	2.86	V
			LVV<3:0> = 0110	2.64	3.14	2.8	2.98	V
			LVV<3:0> = 0111	2.84	3.36	3.0	3.2	V
			LVV<3:0> = 1000	3.12	3.70	3.3	3.52	V
			LVV<3:0> = 1001	3.30	3.92	3.5	3.72	V
			LVV<3:0> = 1010	3.40	4.04	3.6	3.84	V
			LVV<3:0> = 1011	3.59	4.25	3.8	4.04	V
			LVV<3:0> = 1100	3.78	4.48	4.0	4.26	V
			LVV<3:0> = 1101	3.96	4.70	4.2	4.46	V
		LVV<3:0> = 1110	4.25	5.03	4.5	4.78	V	

TABLE 2: MINIMUM AND MAXIMUM BANDGAP VOLTAGE SPECIFICATIONS

Param No	Symbol	Characteristic	New Specification			Data Sheet Specification			Units
			Min	Typ	Max	Min	Typ	Max	
D423	VBG	Bandgap Reference Voltage Value	1.19	1.22	1.25	—	1.22	—	V

PIC18C601/801

4. Module: Core

The minimum value for parameter specification number D001 (VDD) for extended voltage range devices has changed from 2.0V. The new value is shown in Table 3.

All other values for specification D001 remain unchanged.

Because of this change, the voltage vs. frequency graph for extended voltage range devices has been modified. Figure 22-2 of the Device Data Sheet is replaced with Figure 2, below. This also clarifies that the graph refers to extended voltage range (“LC”) devices.

Also, the title for Figure 22-1 of the Device Data Sheet is amended to read:

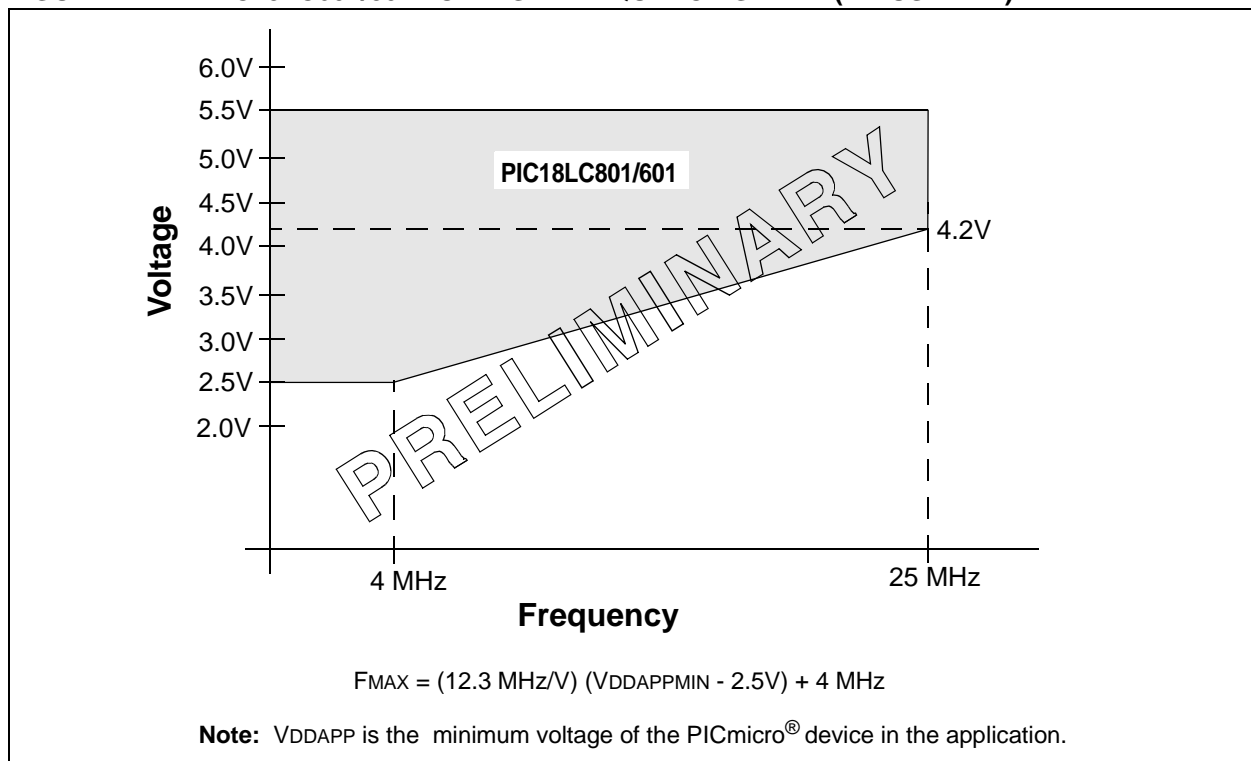
“PIC18C601/801 Voltage-Frequency Graph (Industrial, Extended)”.

This change also effects bits 3-0 in Register 18-1: LVDCON Register in the device data sheet.

TABLE 3: MINIMUM SUPPLY VOLTAGE SPECIFICATION (EXTENDED VOLTAGE RANGE)

Param No	Symbol	Characteristic		New Specification	Data Sheet Specification	Units
				Min	Min	
D001	VDD	Supply Voltage	PIC18LC601/801	2.5	2.0	V

FIGURE 2: PIC18LC601/801 VOLTAGE-FREQUENCY GRAPH (INDUSTRIAL)



REGISTER 18-1: LVDCON REGISTER

U-0	U-0	R-0	R/W-0	R/W-0	R/W-1	R/W-0	R/W-1
—	—	IRVST	LV DEN	LV DL3	LV DL2	LV DL1	LV DL0

bit 7

bit 0

bit 7-6 **Unimplemented:** Read as '0'

bit 5 **IRVST:** Internal Reference Voltage Stable Flag bit

1 = Indicates that the Low Voltage Detect logic will generate the interrupt flag at the specified voltage range

0 = Indicates that the Low Voltage Detect logic will not generate the interrupt flag at the specified voltage range and the LVD interrupt should not be enabled

bit 4 **LV DEN:** Low Voltage Detect Power Enable bit

1 = Enables LVD, powers up LVD circuit

0 = Disables LVD, powers down LVD circuit

bit 3-0 **LV DL3:LV DL0:** Low Voltage Detection Limit bits

1111 = External analog input is used (input comes from the LVDIN pin)

1110 = 4.5V

1101 = 4.2V

1100 = 4.0V - Reserved on PIC18C601/801

1011 = 3.8V - Reserved on PIC18C601/801

1010 = 3.6V - Reserved on PIC18C601/801

1001 = 3.5V - Reserved on PIC18C601/801

1000 = 3.3V - Reserved on PIC18C601/801

0111 = 3.0V - Reserved on PIC18C601/801

0110 = 2.8V - Reserved on PIC18C601/801

0101 = 2.7V - Reserved on PIC18C601/801

0100 = 2.5V - Reserved on PIC18C601/801

0011 = Reserved on PIC18C601/801 and PIC18LC601/801

0010 = Reserved on PIC18C601/801 and PIC18LC601/801

0001 = Reserved on PIC18C601/801 and PIC18LC601/801

0000 = Reserved on PIC18C601/801 and PIC18LC801/601

LV DL3:LV DL0 modes which result in a trip point below the valid operating voltage of the device are not tested.

Legend:

R = Readable bit

W = Writable bit

U = Unimplemented bit, read as '0'

- n = Value at POR

'1' = Bit is set

'0' = Bit is cleared

x = Bit is unknown

PIC18C601/801

5. Module: USART

The operation of the USART Transmit Interrupt flag bit TXIF (PIR1<4>) is clarified as follows:

TXIF is not cleared immediately upon loading data into the transmit buffer TXREG. The flag bit becomes valid in the second instruction cycle following the load instruction (see Example 1). Polling TXIF immediately following a load of TXREG will give invalid results (Example 2).

This clarification applies to **all** USART transmission modes (master or slave, synchronous or asynchronous, 8-bit or 9-bit).

EXAMPLE 1: CORRECTLY POLLING THE TXIF BIT

```
movwf TXREG      ;load the register
nop              ;first instruction--
                 ;just a placeholder, it
                 ;could be any instruction
btfss PIR1, TXIF ;second instruction--
                 ;now TXIF is valid
```

EXAMPLE 2: POLLING THE TXIF BIT IMMEDIATELY AFTER LOADING THE TRANSMIT BUFFER

```
movwf TXREG      ;load the register
btfss PIR1, TXIF ;first instruction--
                 ;reading TXIF now will
                 ;give invalid results
```

APPENDIX A: REVISION HISTORY

Rev A Document (6/2001)

First revision of this document.

Issues 1, 2, 3 and 4 (WDT, I/O, Core and Interrupts modules).

Under Clarifications/Corrections to the Data Sheet, added Core (DC Characteristics) issue (page 2, item 1).

Rev B Document (2/2002)

Under Clarifications/Corrections to the Data Sheet, added Interrupts, LVD, Core and USART issues (pages 2 through 5, items 2, 3, 4 and 5).

PIC18C601/801

NOTES:

Note the following details of the code protection feature on PICmicro® MCUs.

- The PICmicro family meets the specifications contained in the Microchip Data Sheet.
- Microchip believes that its family of PICmicro microcontrollers is one of the most secure products of its kind on the market today, when used in the intended manner and under normal conditions.
- There are dishonest and possibly illegal methods used to breach the code protection feature. All of these methods, to our knowledge, require using the PICmicro microcontroller in a manner outside the operating specifications contained in the data sheet. The person doing so may be engaged in theft of intellectual property.
- Microchip is willing to work with the customer who is concerned about the integrity of their code.
- Neither Microchip nor any other semiconductor manufacturer can guarantee the security of their code. Code protection does not mean that we are guaranteeing the product as “unbreakable”.
- Code protection is constantly evolving. We at Microchip are committed to continuously improving the code protection features of our product.

If you have any further questions about this matter, please contact the local sales office nearest to you.

Information contained in this publication regarding device applications and the like is intended through suggestion only and may be superseded by updates. It is your responsibility to ensure that your application meets with your specifications. No representation or warranty is given and no liability is assumed by Microchip Technology Incorporated with respect to the accuracy or use of such information, or infringement of patents or other intellectual property rights arising from such use or otherwise. Use of Microchip's products as critical components in life support systems is not authorized except with express written approval by Microchip. No licenses are conveyed, implicitly or otherwise, under any intellectual property rights.

Trademarks


The Microchip name and logo, the Microchip logo, FilterLab, KEELOQ, MPLAB, PIC, PICmicro, PICMASTER, PICSTART, PRO MATE, SEEVAL and The Embedded Control Solutions Company are registered trademarks of Microchip Technology Incorporated in the U.S.A. and other countries.

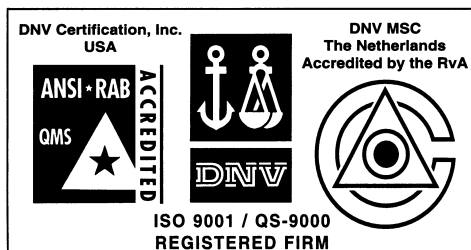
dsPIC, ECONOMONITOR, FanSense, FlexROM, fuzzyLAB, In-Circuit Serial Programming, ICSP, ICEPIC, microID, microPort, Migratable Memory, MPASM, MPLIB, MPLINK, MPSIM, MXDEV, PICC, PICDEM, PICDEM.net, rPIC, Select Mode and Total Endurance are trademarks of Microchip Technology Incorporated in the U.S.A.

Serialized Quick Term Programming (SQTP) is a service mark of Microchip Technology Incorporated in the U.S.A.

All other trademarks mentioned herein are property of their respective companies.

© 2002, Microchip Technology Incorporated, Printed in the U.S.A., All Rights Reserved.

 Printed on recycled paper.



Microchip received QS-9000 quality system certification for its worldwide headquarters, design and wafer fabrication facilities in Chandler and Tempe, Arizona in July 1999. The Company's quality system processes and procedures are QS-9000 compliant for its PICmicro® 8-bit MCUs, KEELOQ® code hopping devices, Serial EEPROMs and microperipheral products. In addition, Microchip's quality system for the design and manufacture of development systems is ISO 9001 certified.



WORLDWIDE SALES AND SERVICE

AMERICAS

Corporate Office

2355 West Chandler Blvd.
Chandler, AZ 85224-6199
Tel: 480-792-7200 Fax: 480-792-7277
Technical Support: 480-792-7627
Web Address: <http://www.microchip.com>

Rocky Mountain

2355 West Chandler Blvd.
Chandler, AZ 85224-6199
Tel: 480-792-7966 Fax: 480-792-7456

Atlanta

500 Sugar Mill Road, Suite 200B
Atlanta, GA 30350
Tel: 770-640-0034 Fax: 770-640-0307

Boston

2 Lan Drive, Suite 120
Westford, MA 01886
Tel: 978-692-3848 Fax: 978-692-3821

Chicago

333 Pierce Road, Suite 180
Itasca, IL 60143
Tel: 630-285-0071 Fax: 630-285-0075

Dallas

4570 Westgrove Drive, Suite 160
Addison, TX 75001
Tel: 972-818-7423 Fax: 972-818-2924

Detroit

Tri-Atria Office Building
32255 Northwestern Highway, Suite 190
Farmington Hills, MI 48334
Tel: 248-538-2250 Fax: 248-538-2260

Kokomo

2767 S. Albright Road
Kokomo, Indiana 46902
Tel: 765-864-8360 Fax: 765-864-8387

Los Angeles

18201 Von Karman, Suite 1090
Irvine, CA 92612
Tel: 949-263-1888 Fax: 949-263-1338

New York

150 Motor Parkway, Suite 202
Hauppauge, NY 11788
Tel: 631-273-5305 Fax: 631-273-5335

San Jose

Microchip Technology Inc.
2107 North First Street, Suite 590
San Jose, CA 95131
Tel: 408-436-7950 Fax: 408-436-7955

Toronto

6285 Northam Drive, Suite 108
Mississauga, Ontario L4V 1X5, Canada
Tel: 905-673-0699 Fax: 905-673-6509

ASIA/PACIFIC

Australia

Microchip Technology Australia Pty Ltd
Suite 22, 41 Rawson Street
Epping 2121, NSW
Australia
Tel: 61-2-9868-6733 Fax: 61-2-9868-6755

China - Beijing

Microchip Technology Consulting (Shanghai)
Co., Ltd., Beijing Liaison Office
Unit 915
Bei Hai Wan Tai Bldg.
No. 6 Chaoyangmen Beidajie
Beijing, 100027, No. China
Tel: 86-10-85282100 Fax: 86-10-85282104

China - Chengdu

Microchip Technology Consulting (Shanghai)
Co., Ltd., Chengdu Liaison Office
Rm. 2401, 24th Floor,
Ming Xing Financial Tower
No. 88 TIDU Street
Chengdu 610016, China
Tel: 86-28-6766200 Fax: 86-28-6766599

China - Fuzhou

Microchip Technology Consulting (Shanghai)
Co., Ltd., Fuzhou Liaison Office
Unit 28F, World Trade Plaza
No. 71 Wusi Road
Fuzhou 350001, China
Tel: 86-591-7503506 Fax: 86-591-7503521

China - Shanghai

Microchip Technology Consulting (Shanghai)
Co., Ltd.
Room 701, Bldg. B
Far East International Plaza
No. 317 Xian Xia Road
Shanghai, 200051
Tel: 86-21-6275-5700 Fax: 86-21-6275-5060

China - Shenzhen

Microchip Technology Consulting (Shanghai)
Co., Ltd., Shenzhen Liaison Office
Rm. 1315, 13/F, Shenzhen Kerry Centre,
Renminnan Lu
Shenzhen 518001, China
Tel: 86-755-2350361 Fax: 86-755-2366086

Hong Kong

Microchip Technology Hongkong Ltd.
Unit 901-6, Tower 2, Metroplaza
223 Hing Fong Road
Kwai Fong, N.T., Hong Kong
Tel: 852-2401-1200 Fax: 852-2401-3431

India

Microchip Technology Inc.
India Liaison Office
Divyasree Chambers
1 Floor, Wing A (A3/A4)
No. 11, O'Shaugnessey Road
Bangalore, 560 025, India
Tel: 91-80-2290061 Fax: 91-80-2290062

Japan

Microchip Technology Japan K.K.
Benex S-1 6F
3-18-20, Shinyokohama
Kohoku-Ku, Yokohama-shi
Kanagawa, 222-0033, Japan
Tel: 81-45-471- 6166 Fax: 81-45-471-6122

Korea

Microchip Technology Korea
168-1, Youngbo Bldg. 3 Floor
Samsung-Dong, Kangnam-Ku
Seoul, Korea 135-882
Tel: 82-2-554-7200 Fax: 82-2-558-5934

Singapore

Microchip Technology Singapore Pte Ltd.
200 Middle Road
#07-02 Prime Centre
Singapore, 188980
Tel: 65-334-8870 Fax: 65-334-8850

Taiwan

Microchip Technology Taiwan
11F-3, No. 207
Tung Hua North Road
Taipei, 105, Taiwan
Tel: 886-2-2717-7175 Fax: 886-2-2545-0139

EUROPE

Denmark

Microchip Technology Nordic ApS
Regus Business Centre
Lautrup høj 1-3
Ballerup DK-2750 Denmark
Tel: 45 4420 9895 Fax: 45 4420 9910

France

Microchip Technology SARL
Parc d'Activite du Moulin de Massy
43 Rue du Saule Trapu
Batiment A - 1er Etage
91300 Massy, France
Tel: 33-1-69-53-63-20 Fax: 33-1-69-30-90-79

Germany

Microchip Technology GmbH
Gustav-Heinemann Ring 125
D-81739 Munich, Germany
Tel: 49-89-627-144 0 Fax: 49-89-627-144-44

Italy

Microchip Technology SRL
Centro Direzionale Colleoni
Palazzo Taurus 1 V. Le Colleoni 1
20041 Agrate Brianza
Milan, Italy
Tel: 39-039-65791-1 Fax: 39-039-6899883

United Kingdom

Arizona Microchip Technology Ltd.
505 Eskdale Road
Winnersh Triangle
Wokingham
Berkshire, England RG41 5TU
Tel: 44 118 921 5869 Fax: 44-118 921-5820

01/18/02