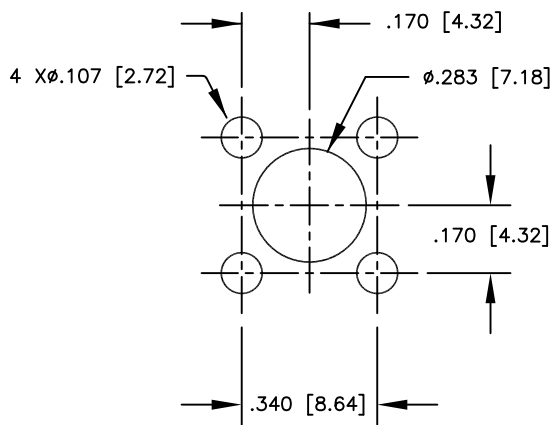


SPECIFICATION CONTROL DRAWING

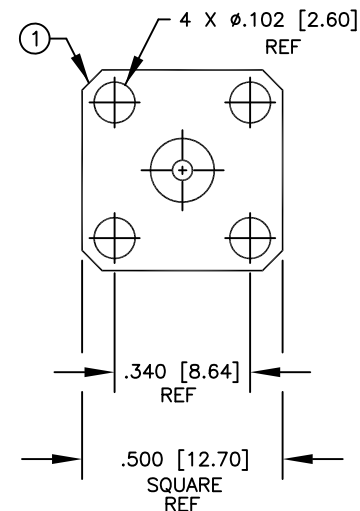
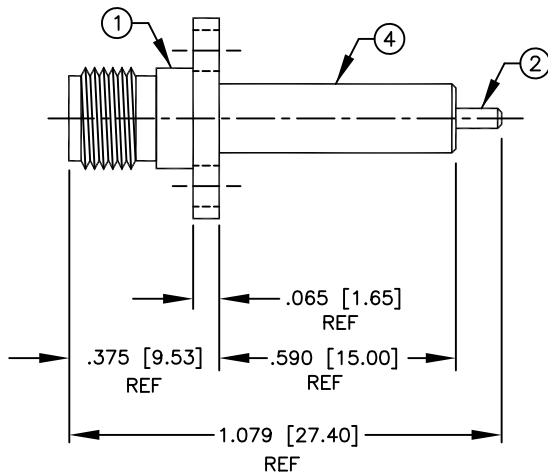
THIS DRAWING CONTAINS INFORMATION PROPRIETARY TO RF INDUSTRIES, LTD. ANY UNAUTHORIZED USE OF THIS DRAWING IS EXPRESSLY PROHIBITED. ANY VIOLATION IS PUNISHABLE UNDER U.S. COPYRIGHT LAWS.

REV	DESCRIPTION	DWN	DATE	APPROVED
A	ENGINEERING RELEASE	WMD	11/17/93	C. JONES
B	CHANGED PART NO. FROM RSA-2363-ED TO RSA-3279	WMD	1/1/94	C. JONES
C	CREATE SECTION DRAWING	KMM	10/30/95	R. RICE
D	CHG LENGTH OF DIELECTRIC \ CHG CONTACT TO BeCu	KMM	8/26/96	R. RICE

008974



SUGGESTED MOUNTING CONFIG



SPECIFICATIONS:

IMPEDANCE: 50 OHMS
 WORKING VOLTAGE: 335 VRMS @ SEA LEVEL
 FREQUENCY RANGE: 0-12.4 GHz

DIMENSIONS ARE IN INCHES AND [MILLIMETERS]

UNLESS OTHERWISE NOTED TOLERANCES ARE:

DECIMALS DIAMETER

RF connectors
 DIVISION OF RF INDUSTRIES, LTD.

7610 MIRAMAR RD
 SAN DIEGO, CA 92126
 (619)549-6340
 (619)549-6345 FAX

RSA-3279
 SMA FEMALE 4 HOLE FLANGE
 PANEL MOUNT WITH EXTENDED DIELECTRIC

ITEM	DESCRIPTION	QTY	MATERIAL	FINISH
5	PRESS FIT WASHER	1	BRASS	NICKEL
4	DIELECTRIC	1	PTFE	NONE
3	DIELECTRIC	1	PTFE	NONE
2	CONTACT	1	BeCu	GOLD
1	BODY	1	BRASS	NICKEL

DRAWN	K. MAXWELL	8/26/96
CHECKED		
ORJ DRAWN	W. DANIELS	1/1/94
APPROVALS		DATE

SIZE	CABLE GROUP	DWG NO.	REV
A	N/A	8256	D
SCALE:	2:1	CAD FILE	13ARC B
			SHEET 1 OF 1