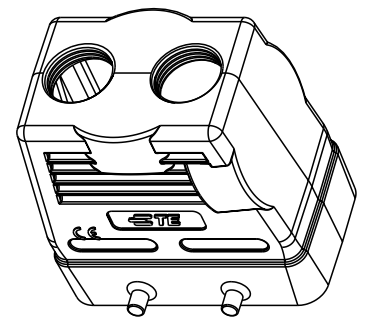
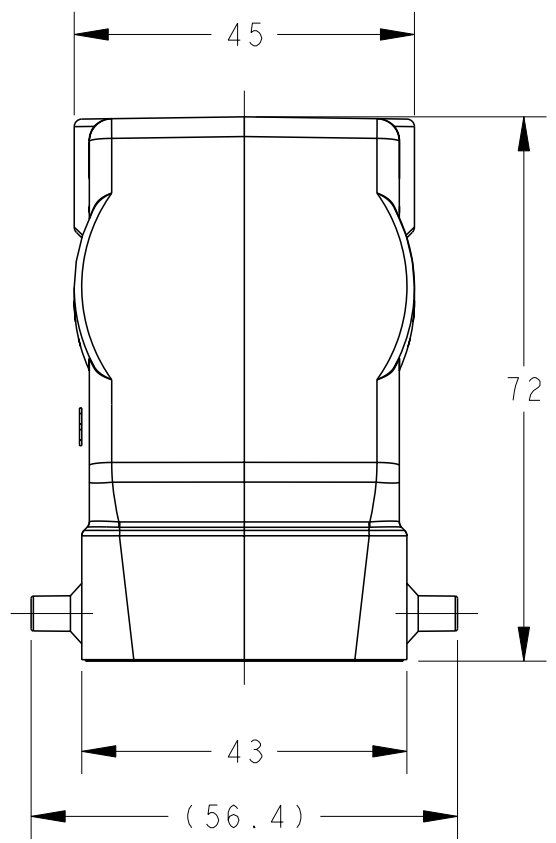
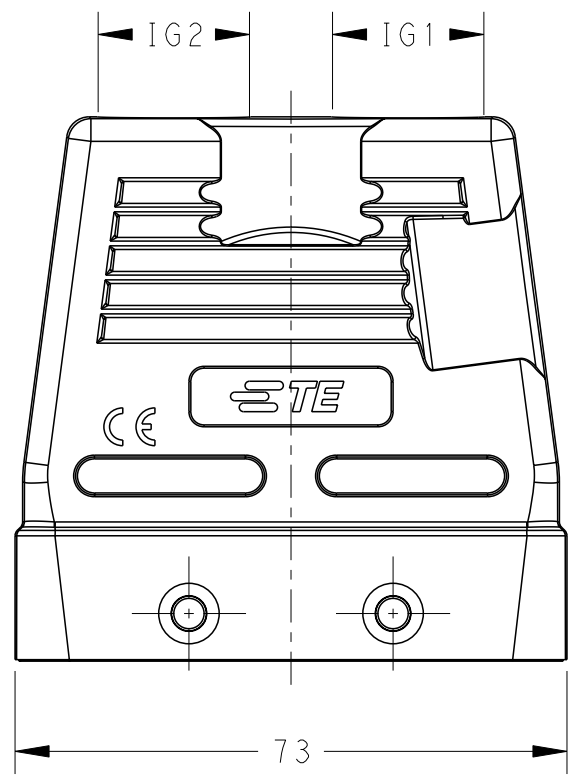


THIS DRAWING IS UNPUBLISHED. RELEASED FOR PUBLICATION 20
 © COPYRIGHT 20 BY - ALL RIGHTS RESERVED.

REVISIONS					
P	LTR	DESCRIPTION	DATE	DWN	APVD
	A	INITIAL	12JUN2015	DW	CW
	B	ECR-20-008181	28JUN2020	WQR	CW
	B1	ECR-21-103925	01JUN2021	WQR	CW

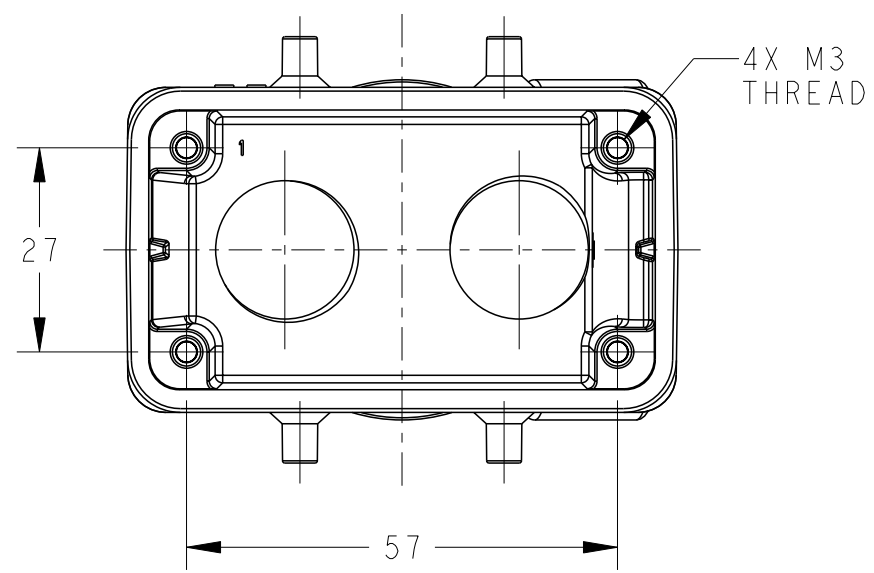


SCALE 1:2




NOTES:
 1. TECHNICAL CHARACTERISTICS:
 HOOD MATERIAL: DIE CAST ALUMINIUM ALLOY
 SURFACE: POWDER COATED, GREY
 DEGREE OF PROTECTION: IP65 (MATED)

注释:
 1. 技术参数:
 上壳材料: 铝合金
 表面处理: 粉末涂层, 灰色
 防护等级: IP65(配合)



T1240100211-000	H10B-TGH-2PG11	HIGH CONSTRUCTION	PG11	PG11
T1240100216-000	H10B-TGH-2PG16		PG16	PG16
T1240100220-000	H10B-TGH-2M20		M20	M20
PART NUMBER	DESCRIPTION	TYPE	IG1	IG2

THIS DRAWING IS A CONTROLLED DOCUMENT.		DWN 12JUN2015 David Wang	 TE Connectivity NAME H10B-TGH-2M/PG	
DIMENSIONS: mm		CHK 12JUN2015 Chris Wang		
TOLERANCES UNLESS OTHERWISE SPECIFIED:		APVD 12JUN2015 Xiang Xu		
0 PLC ±- 1 PLC ±- 2 PLC ±- 3 PLC ±- 4 PLC ±- ANGLES ±-		PRODUCT SPEC 108-137013		
MATERIAL -		FINISH -	APPLICATION SPEC 114-137013	RESTRICTED TO -
		WEIGHT -	SIZE A3	CAGE CODE 00779
		Customer Drawing	DRAWING NO. C-T12401002XX000	SCALE 1:1
			SHEET 1 OF 1	REV B1

printed on 17 Jun 2021 10:26 (China Standard Time) from TE343646