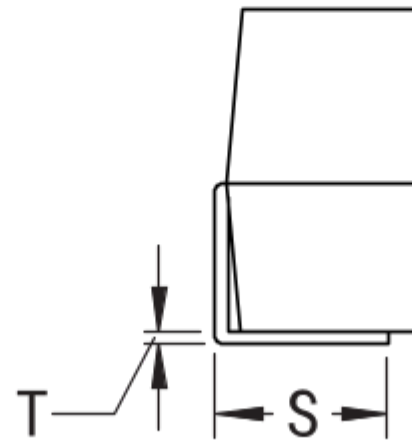
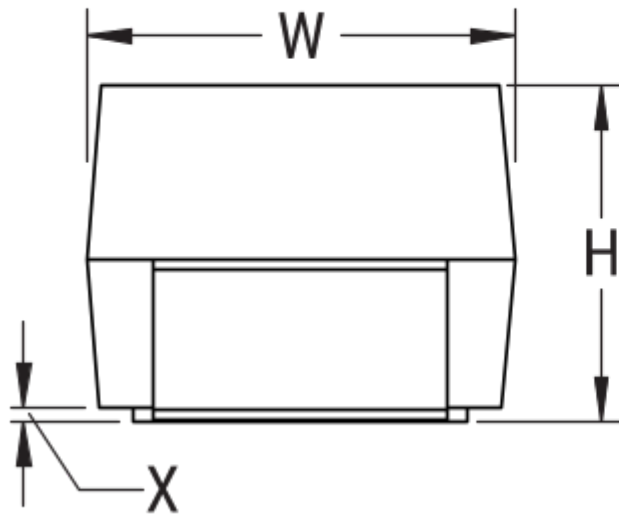


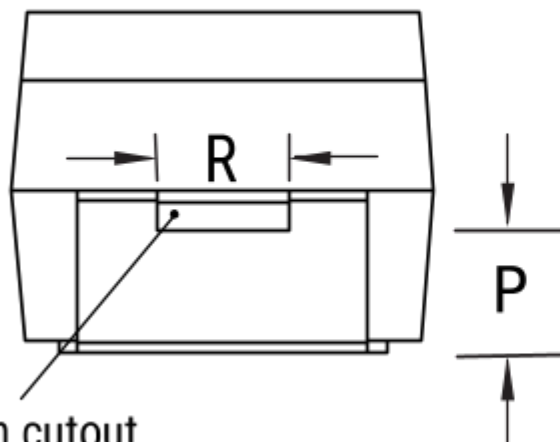
T541X337M016CH6720

T541 HRA, Tantalum, Polymer Tantalum, HRA Multi-Anode, 330 uF, 20%, 16 VDC, SMD, Polymer, Molded, High Reliability, Multi-Anode, Low ESR, C (0.01%/1000 Hrs), 25 mOhms, 7343, Height Max = 4.3mm

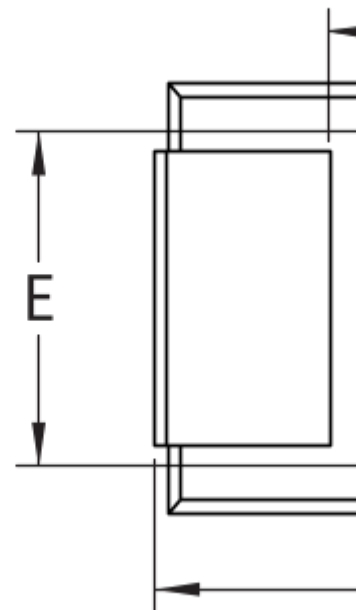
CATHODE (-) END VIEW



ANODE (+) END VIEW



Termination cutout
at KEMET's option,
either end



Click [here](#) for the 3D model.

Dimensions

Footprint 7343

L	7.3mm +/-0.3mm
W	4.3mm +/-0.3mm
H	4mm +/-0.3mm
T	0.13mm REF
S	1.3mm +/-0.3mm
F	2.4mm +/-0.1mm
A	3.8mm MIN
B	0.5mm +/-0.15mm
E	3.5mm REF
G	3.5mm REF
P	1.7mm REF
R	1mm REF
X	0.1mm +/-0.1mm

Packaging Specifications

Packaging T&R, 178mm

Packaging Quantity 500

General Information

Series	T541 HRA
Dielectric	Polymer Tantalum
Style	SMD Chip
Description	SMD, Polymer, Molded, High Reliability, Multi-Anode, Low ESR
Features	Non-Combustible, Multiple Anode, Low ESR, High Reliability
RoHS	No
Prop 65	WARNING: Cancer and reproductive harm - http://www.p65warnings.ca.gov .
SCIP Number	b064b03e-bd75-42af-b342-1fe94dec2340
Termination	Solder Coated
AEC-Q200	No
Component Weight	410.89 mg
Shelf Life	52 Weeks

Specifications

Capacitance	330 uF
Capacitance Tolerance	20%
Voltage DC	16 VDC (105C), 10.72 VDC (125C)
Temperature Range	-55/+125°C
Rated Temperature	105°C
Humidity	60C, 90% RH, 500 Hours, rated voltage
Dissipation Factor	10% 120Hz 25C
Failure Rate	C (0.01%/1000 Hrs)
Resistance	25 mOhms (100kHz 25C)
Ripple Current	3286 mA (rms, 100kHz 45C)
Leakage Current	528 uA (5min 25°C)

Specifications

Testing and Reliability 10 Cycles Surge Current Testing At -55C +0C/-5C And +85C +/-5C
After Voltage Aging

Statements of suitability for certain applications are based on our knowledge of typical operating conditions for such applications, but are not intended to constitute - and we specifically disclaim - any warranty concerning suitability for a specific customer application or use. This Information is intended for use only by customers who have the requisite experience and capability to determine the correct products for their application. Any technical advice inferred from this Information or otherwise provided by us with reference to the use of our products is given gratis, and we assume no obligation or liability for the advice given or results obtained.

Generated 5/18/2023 - f5d9c562-0080-4258-9d5c-998f991d3649

© 2006 - 2023 KEMET

Generated 5/18/2023 - f5d9c562-0080-4258-9d5c-998f991d3649

© 2006 - 2023 KEMET