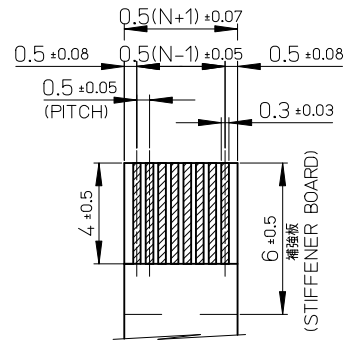
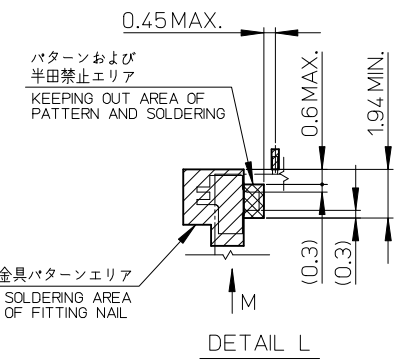


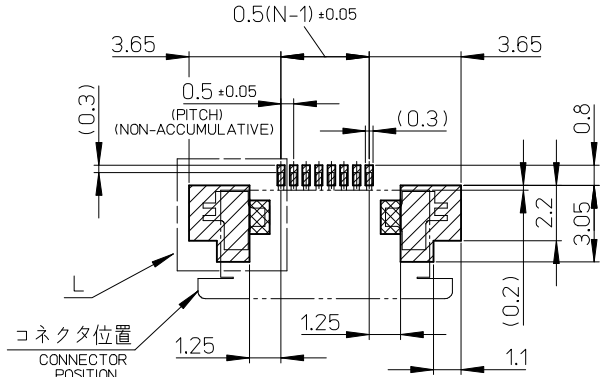
適合半田めっきFPC推奨寸法
 APPLICABLE FPC OF TIN-LEAD
 PLATING RECOMMENDED DIMENSION
 仕上がり厚さ: 0.3±0.03
 THICKNESS: 0.3+0.03/-0.03



適合半田めっきFFC推奨寸法
 APPLICABLE FFC OF TIN-LEAD
 PLATING RECOMMENDED DIMENSION
 仕上がり厚さ: 0.3±0.03
 THICKNESS: 0.3+0.03/-0.03



DETAIL L



参考基板レイアウト
 (マウント面)
 RECOMMENDED P.C.BOARD
 PATTERN DIMENSION(REF.)
 (MOUNTING SIDE)

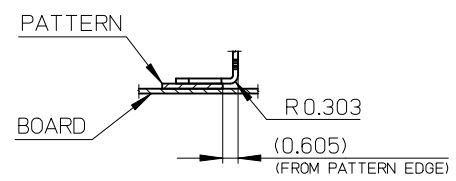
注記NOTES

1. 使用材料
 MATERIAL
 ハウジング: 46ナイロン、ガラス充填、UL94V-0、白
 HOUSING: PA46, GLASS FILLED, UL94V-0, WHITE
 アクチュエータ: ポリフェニレンサルフィド (PPS)、ガラス充填、UL94V-0、茶色
 ACTUATOR: POLYPHENYLENE SULFIDE, GLASS FILLED, UL94V-0, BROWN
 ターミナル: リン青銅、銅下地半田めっき (t=0.2)
 TERMINAL: PHOSPHOR BRONZE, TIN-LEAD OVER COPPER PLATING
 金具: リン青銅、銅下地めっき (t=0.2)
 FITTING NAIL: PHOSPHOR BRONZE, TIN-LEAD OVER COPPER PLATING
2. エンボスステップ梱包時は、アクチュエータがロックした状態になります。
 IN THE PACKAGE, ACTUATOR OF PART NO.52746-xx*17 SHOULD BE LOCKED.
3. ソルダテール半田付け面のズレ量、及び金具半田付け面のズレ量は、基準面Hに対して上方向に0.1MAXIMUM、下方向0.15MAXIMUMとする。
 MISALIGNMENT OF SOLDER TAILS AND FITTING NAILS FROM DATUM-H.
 UPPER DIRECTION: 0.1MAXIMUM
 LOWER DIRECTION: 0.15 MAXIMUM
4. 偶数極に適用
 APPLY FOR EVEN CIRCUIT.
5. パターン剥離止め金具
 FITTING NAIL FOR PREVENTION OF PEELING OF P.W.B. PATTERN.
6. R0.3は、FPCの胴体部にかからないこと
 R0.3 MUST NOT BE OVERLAPED TO PATTERN OF FPC.

FPCについて:

打抜き方向は導体側から補強板を推奨致します。
 補強フィルム材質はポリイミドを推奨致します。
 接着剤は熱硬化接着剤を推奨致します。

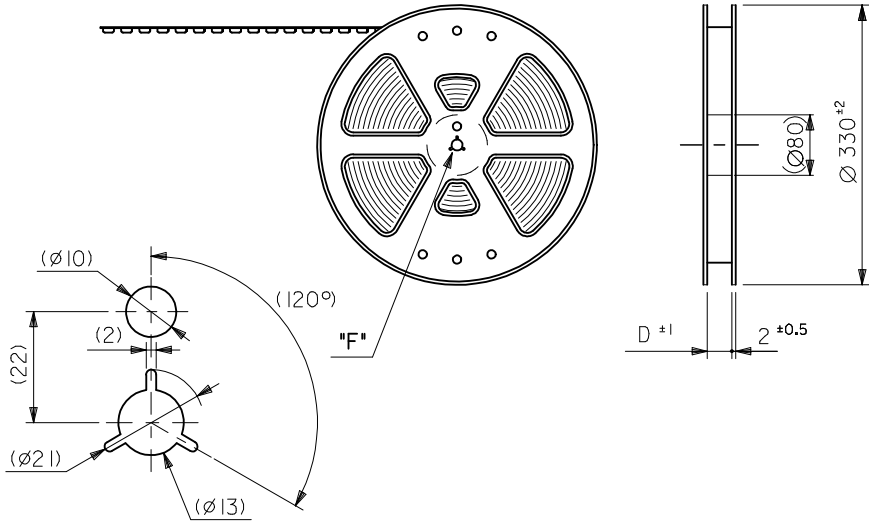
ABOUT FPC:
 RECOMMENDED PUNCHER DIRECTION : FROM CONDUCTOR SIDE TO STIFFENER BOARD SIDE.
 RECOMMENDED MATERIAL :
 STIFFENER FILM : POLYIMIDE
 BONDING AGENT : THERMOSETTING BONDING AGENT



VIEW M
 (DETAIL OF FITTING NAIL ON PATTERN)

SEE SHEET 1 OF 2 EC NO.: J2015-1304 DRWN: SANUMA 2015/04/02 CHKD: TAKAHASHI 2015/04/02 APPR: YNOGAWA 2015/04/17	GENERAL TOLERANCES (UNLESS SPECIFIED)		DIMENSION STYLE MM ONLY		SCALE 5:1	DESIGN UNITS METRIC	THIRD ANGLE PROJECTION
	0.25 UNDER	UNDER	±0.03	DRAWN BY SAIHARA	DATE 1994/03/24	TITLE 0.5 FPC CONN. ZIF FOR SMT R/A (BOTTOM CONTACT) TIN-LEAD PLATING molex DOCUMENT NO. SD-52746-030 SHEET NO. 2 OF 2	
	0.25 OVER	0.5 UNDER	±0.05	CHECKED BY SKUNISHI	DATE 2000/6/30		
	0.5 OVER	1.0 UNDER	±0.1	APPROVED BY MFUKUSHIMA	DATE 2000/6/30		
10 OVER	10 UNDER	±---	MATERIAL NO. SEE SHEET 1 OF 2				
30 OVER	30 UNDER	±---	DRAFT WHERE APPLICABLE MUST REMAIN WITHIN DIMENSIONS		SIZE A3	THIS DRAWING CONTAINS INFORMATION THAT IS PROPRIETARY TO MOLEX INCORPORATED AND SHOULD NOT BE USED WITHOUT WRITTEN PERMISSION	

引き出し方向
PULL OUT
DIRECTION



DETAIL "F"

5. 材料

キャリアテープ: ポリプロピレン (PP)
 トップテープ: PET, PE, PEF
 リール: ポリスチレン (PS) <リサイクル材を含む>

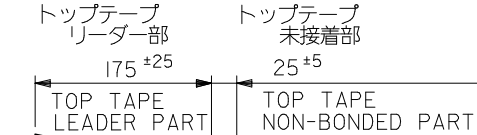
MATERIAL CARRIER TAPE:POLYPROPYLENE
 TOP TAPE:PET,PE,PEF
 REEL:POLYSTYREN(PS)
 <RECYCLE MATERIAL CONTAINED>

注記 NOTES

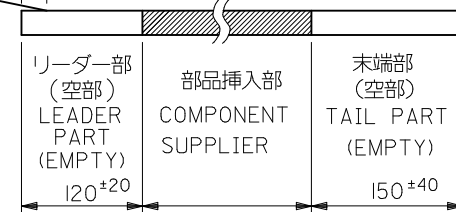
1. 製品番号 52746-**17 の梱包状態はアクチュエータがロックした状態とする。
 詳細寸法については図面 SD-52746-030 を参照下さい。
 IN THE PACKAGE,ACTUATOR OF PART NO.52746-**17 SHOULD BE LOCKED
 RE DETAILED DIMENSIONS,SEE SD-52746-030

2. 梱包数量: 1000個/リール
 NUMBER OF CONNECTORS:1000PCS/REEL

3. リードテープ長さ LEAD TAPE LENGTH

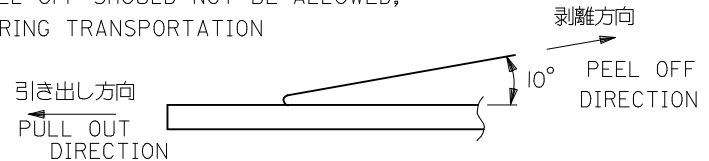


引き出し方向
PULL OUT
DIRECTION

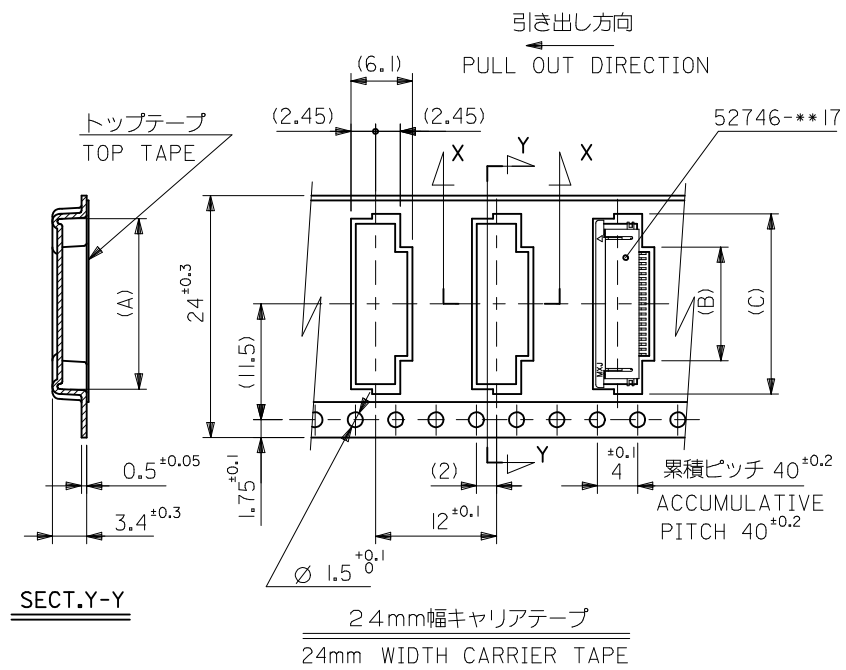


4. トップテープの剥離強度: (剥離方向は下図参照)
 0.1N~0.7N (10.2gf~71.4gf) 尚、本規格値は、出荷時に適用。
 (但し、輸送時に剥離が発生しない事。)

PEELING OFF FORCE OF TOP TAPE
 0.1N~0.7N(10.2gf~71.4gf)(PEELING DIRECTION AS SHOWN IN FOLLOWING FIG.)
 THIS REQUIREMENT SHOULD BE APPLIED AT SHIPMENT
 PEEL OFF SHOULD NOT BE ALLOWED,
 DURING TRANSPORTATION

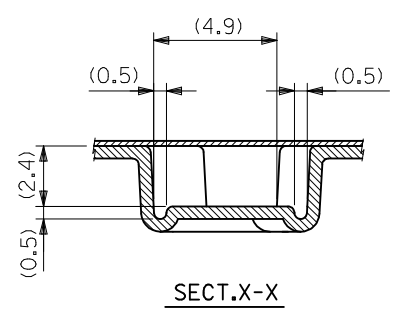


REVISED EC NO: J2015-1304 DRWN:SANUMA 2015/04/02 CHKD:KAKAHASHI 2015/04/02 APPR:YNOGAWA 2015/04/17	GENERAL TOLERANCES (UNLESS SPECIFIED)			DIMENSION STYLE MM ONLY		SCALE ---	DESIGN UNITS METRIC	THIRD ANGLE PROJECTION	
	0.25 UNDER	UNDER	±0.03	DRAWN BY	DATE	TITLE			
	0.25 OVER	0.5 UNDER	±0.05	MTAKAHASHI	104 2013/06/06	0.5 FPC CONN ZIF SMT RA BOTTOM CONTACT EMBSTP PKG (1/3)			
	0.5 OVER	1.0 UNDER	±0.1	KTAKAHASHI	2013/06/06	molex			
1.0 OVER	10 UNDER	±---	APPROVED BY	DATE	DOCUMENT NO.				
10 OVER	30 UNDER	±---	YNOGAWA	2013/08/26	SD-52746-033		1 OF 3		
30 OVER		±---	MATERIAL NO.						
ANGULAR ±--- °			SIZE A3		THIS DRAWING CONTAINS INFORMATION THAT IS PROPRIETARY TO MOLEX INCORPORATED AND SHOULD NOT BE USED WITHOUT WRITTEN PERMISSION				
DRAFT WHERE APPLICABLE MUST REMAIN WITHIN DIMENSIONS									



SECT.Y-Y

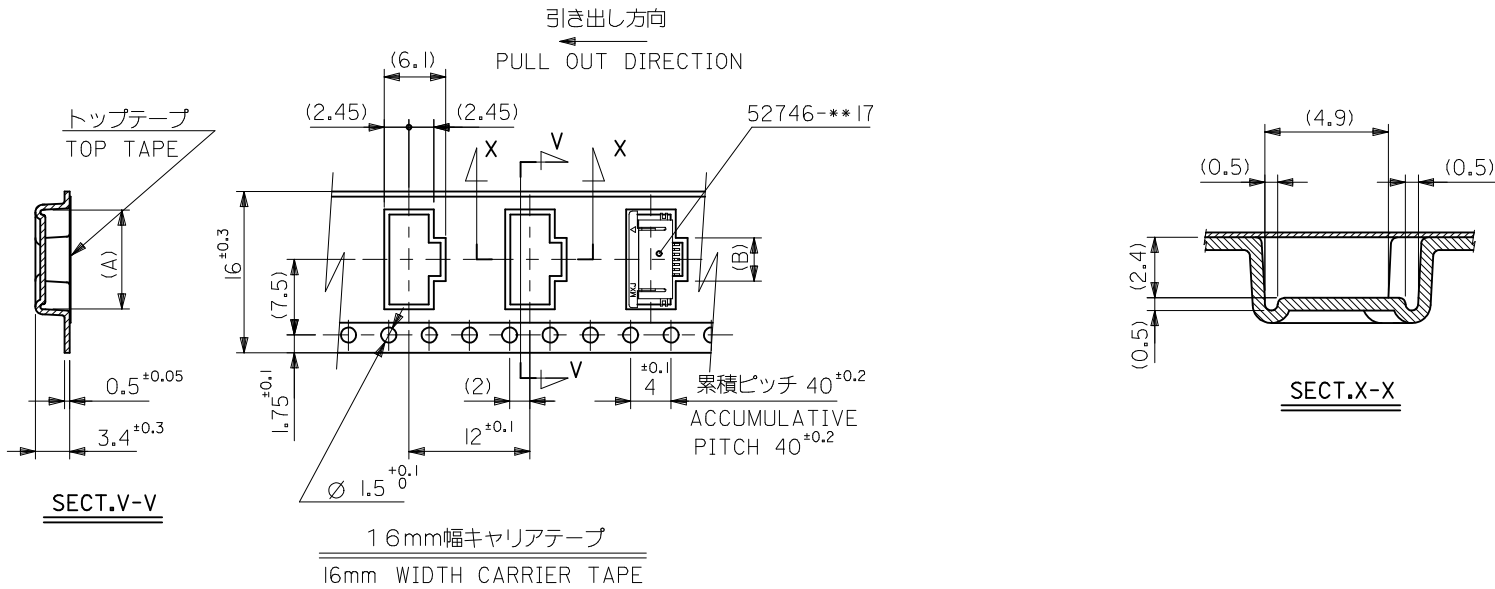
24mm幅キャリアテープ
24mm WIDTH CARRIER TAPE



SECT.X-X

24	24.4	17.4	10.8	16.4	52746-2090	20
		12.4	5.8	11.4	52746-1090	10
		10.4	3.8	9.4	52746-0690	6
キャリアテープ幅 CARRIER TAPE WIDTH	D	(C)	(B)	(A)	ENG. NO.	極数 CIRCUIT

SEE SHEET 1 OF 3 EC NO.: J2015-1304 DRWN: SANUMA 2015/04/02 CHKD: TAKAHASHI 2015/04/02 APPR: YNOGAWA 2015/04/17	GENERAL TOLERANCES (UNLESS SPECIFIED)			DIMENSION STYLE MM ONLY		SCALE ---	DESIGN UNITS METRIC	THIRD ANGLE PROJECTION
	0.25 UNDER	UNDER	±0.03	DRAWN BY	DATE	TITLE		
	0.25 OVER	0.5 UNDER	±0.05	MTAKAHASHI	104 2013/06/06	0.5 FPC CONN ZIF SMT RA BOTTOM CONTACT EMBSTP PKG (2/3)		
	0.5 OVER	1.0 UNDER	±0.1	KTAKAHASHI	2013/06/06	molex		
	1.0 OVER	10 UNDER	±---	APPROVED BY	DATE	DOCUMENT NO.		
10 OVER	30 UNDER	±---	YNOGAWA	2013/08/26	SD-52746-033			
30 OVER		±---	MATERIAL NO.		SHEET NO.			
ANGULAR ±--- °			SEE CHART		2 OF 3			
DRAFT WHERE APPLICABLE MUST REMAIN WITHIN DIMENSIONS			SIZE A3		THIS DRAWING CONTAINS INFORMATION THAT IS PROPRIETARY TO MOLEX INCORPORATED AND SHOULD NOT BE USED WITHOUT WRITTEN PERMISSION			



16	17.5	2.8	8.4	52746-0490	4
キャリアテープ幅 CARRIER TAPE WIDTH	D	(B)	(A)	ENG. NO.	極数 CIRCUIT

SEE SHEET 1 OF 3 EC NO: J2015-1304 DRWN:NASUNUMA 2015/04/02 CHK'D:KTAKAHASHI 2015/04/02 APPR:YNOGAWA 2015/04/17	GENERAL TOLERANCES (UNLESS SPECIFIED)			DIMENSION STYLE MM ONLY		SCALE ---	DESIGN UNITS METRIC	THIRD ANGLE PROJECTION
	0.25 UNDER	UNDER	± 0.03	DRAWN BY	DATE	TITLE		
	0.25 OVER	0.5 UNDER	± 0.05	MTAKAHASHI	104 2013/06/06	0.5 FPC CONN ZIF SMT RA BOTTOM CONTACT EMBSTP PKG (3/3)		
	0.5 OVER	1.0 UNDER	± 0.1	KTAKAHASHI	2013/06/06	molex		
1.0 OVER	10 UNDER	± ---	APPROVED BY	DATE	DOCUMENT NO.			
10 OVER	30 UNDER	± ---	YNOGAWA	2013/08/26	SD-52746-033			
30 OVER		± ---	MATERIAL NO.		SHEET NO.			
ANGULAR	± --- °		SEE CHART		3 OF 3			
DRAFT WHERE APPLICABLE MUST REMAIN WITHIN DIMENSIONS			SIZE A3	THIS DRAWING CONTAINS INFORMATION THAT IS PROPRIETARY TO MOLEX INCORPORATED AND SHOULD NOT BE USED WITHOUT WRITTEN PERMISSION				