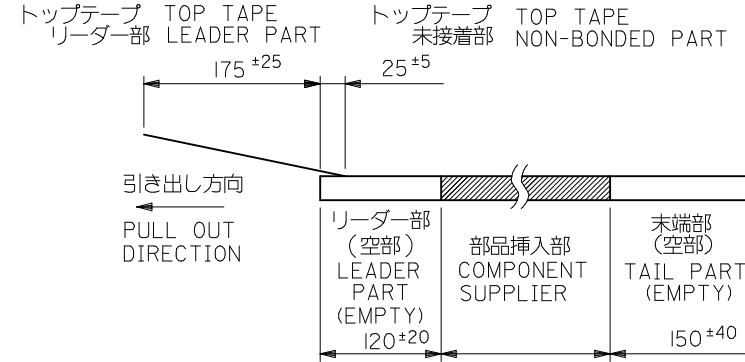


- 梱包数量: 1000個/リール NUMBER OF CONNECTORS: 1000PCS/REEL
- リードテープ長さ LEAD TAPE LENGTH

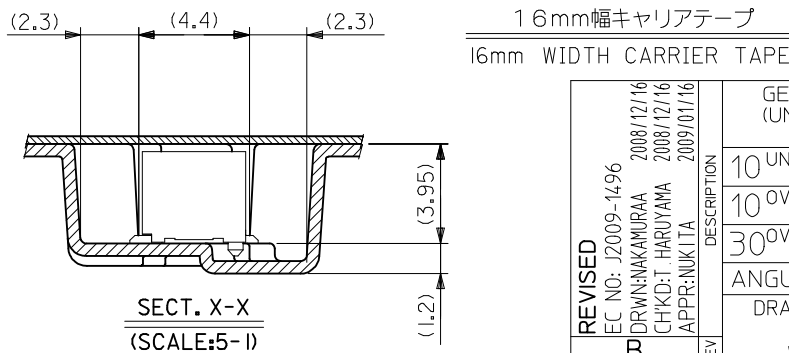
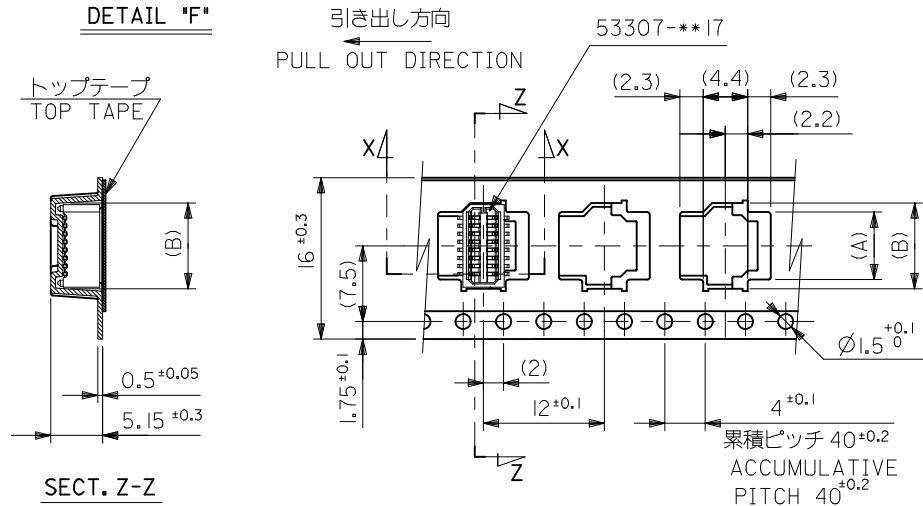


- トップテープの剥離強度: (剥離方向は下図参照)
0.1N~0.7N(10.2gf~70.4gf) 尚、本規格値は、出荷時に適用。
(但し、輸送時に剥離が発生しない事。)
PEELING OFF FORCE OF TOP TAPE: 0.1N~0.7N(10.2gf~70.4gf)
(PEELING DIRECTION AS SHOWN IN FOLLOWING FIG.)
THIS REQUIREMENT SHOULD BE APPLIED AT SHIPMENT
PEEL OFF SHOULD NOT BE ALLOWED,
DURING TRANSPORTATION



- 材料
キャリアテープ: ポリプロピレン (PP)
トップテープ: PET, PE, PEF
リール: ポリスチレン (PS) <リサイクル材を含む>
MATERIAL CARRIER TAPE: POLYPROPYLENE
TOP TAPE: PET, PE, PEF
REEL: POLYSTYRENE (PS)
<RECYCLE MATERIAL CONTAINED>

16	17.5	6.1	4.3	53307-1090	10
キャリアテープ幅 CARRIER TAPE WIDTH	C	(B)	(A)	MATERIAL NO.	極数 CIRCUIT
				MODEL NO.	53307-***90



REVISED EC NO: J2009-1496 DRWN: MAKURAA 2008/12/16 CHKD: T. HARIYAMA 2008/12/16 APPR: NUKITA 2009/01/16	DESCRIPTION	GENERAL TOLERANCES (UNLESS SPECIFIED)		DIMENSION STYLE MM ONLY	SCALE ---	DESIGN UNITS METRIC	THIRD ANGLE PROJECTION	
		10 UNDER	±---	DRAWN BY S. MATSUZAKI	DATE '96/3/5	TITLE 0.8 BTB CONN WAFER ASSY ST SMT W/BOSS EMBSTP PKG		
		10 OVER 30 UNDER	±---	CHECKED BY T. ITO	DATE '01/01/30	APPROVED BY M. FUKUSHIMA '01/01/30		
		30 OVER	±---	APPROVED BY M. FUKUSHIMA '01/01/30		MATERIAL NO. DOCUMENT NO. SEE TABLE SD-53307-026		
ANGULAR ±---°		DRAFT WHERE APPLICABLE MUST REMAIN WITHIN DIMENSIONS		MATERIAL NO. SEE TABLE				
SIZE A3		THIS DRAWING CONTAINS INFORMATION THAT IS PROPRIETARY TO MOLEX INCORPORATED AND SHOULD NOT BE USED WITHOUT WRITTEN PERMISSION						