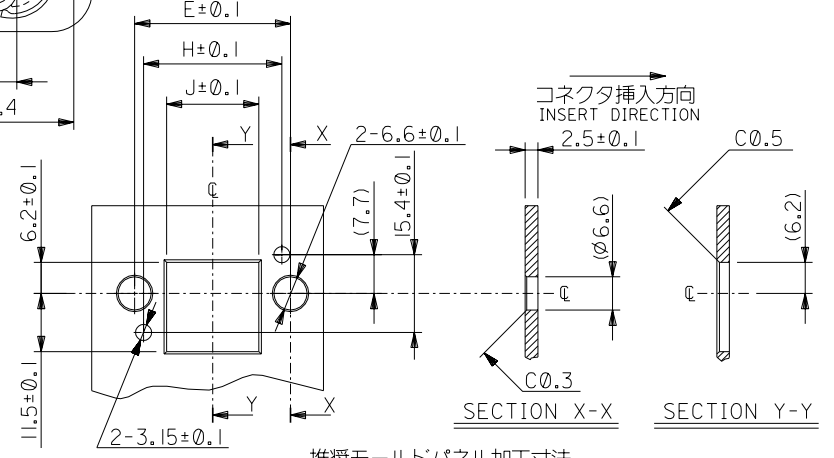
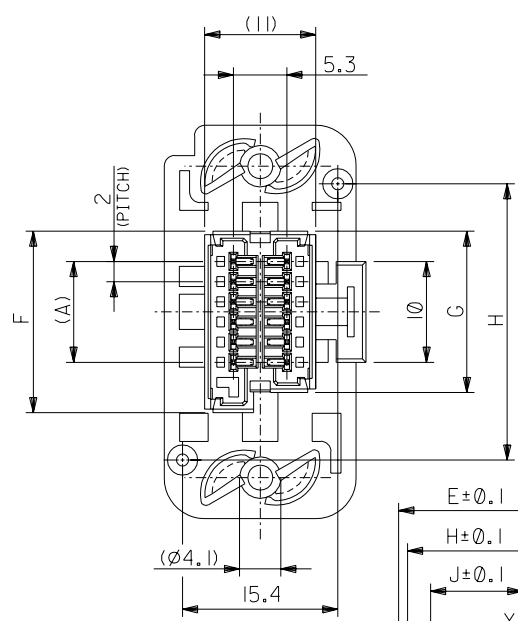
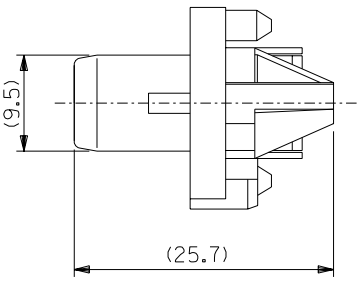
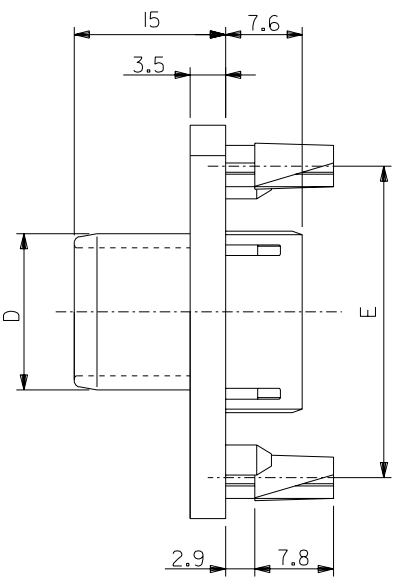
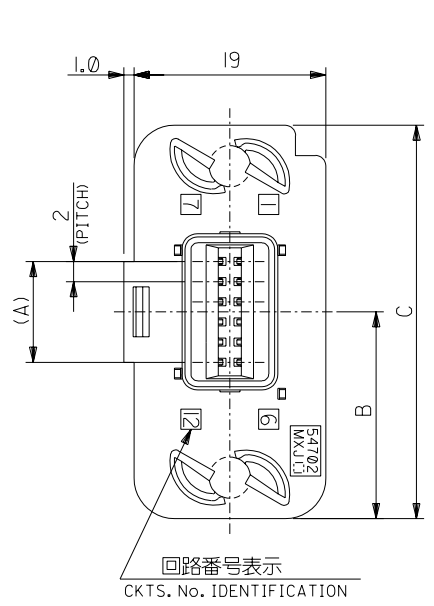


DWG. NO. SD-54702-004



- 注)
NOTES;
- 材質 MATERIAL
ハウジング: ポリカーボネート, UL94V-0, 黒
HOUSING: POLYCARBONATE, UL94V-0, BLACK
ターミナル: りん青銅
TERMINAL: PHOSPHOR BRONZE
 - メッキ仕様 PLATING
金メッキ: 0.25µm MIN. (接点部)
GOLD: 0.25µm MIN. (CONTACT AREA)
錫メッキ: 1.0µm MIN. (リセプタクル嵌合部)
TIN: 1.0µm MIN. (RECEPTACLE CONNECTED AREA)
ニッケルメッキ: 2.0µm MIN. (下地メッキ)
NICKEL: 2.0µm MIN. (UNDER PLATING)
 - 適用リセプタクル: 52484シリーズ, 51090シリーズ
APPLICABLE RECEPTACLE: 52484 SERIES, 51090 SERIES
 - 嵌合相手: 55533シリーズ
MATES WITH: 55533 SERIES
 - 本製品は 54702-**11 の鉛フリー品である。
THIS PRODUCT IS LEAD FREE OF 54702-**11.

推奨モールドパネル加工寸法
PANEL CUT DIMENSIONS

18.3	27.4	16	18	30.9	15.5	39	20.5	10	54702-1219	54702-**19	12
J	H	G	F	E	D	C	B	A	MATERIAL NO.	MODEL NO.	CKT.

DO NOT SCALE DRAWING

164 NO. DRWN: CH'K: APPR: 163 NO. DRWN: CH'K: APPR: 162 NO. DRWN: CH'K: APPR: 161 NO. DRWN: CH'K: APPR:	RELEASED '04/03/11 160 NO. J2004-3031 DRWN: T.UENO CH'K: M.SASAO APPR: M.SASAO	MATERIAL 材料	SEE NOTES	GENERAL TOLERANCES: (UNLESS SPECIFIED) 一般公差 10 UNDER 未満 ±0.2 10 OVER 30 UNDER 未満 ±0.25 30 OVER 以上 ±0.3 ANGLE 角度 ±3°	SCALE	DESIGN UNITS	DIMENSIONS: <input type="checkbox"/> mm <input type="checkbox"/> INCH <input checked="" type="checkbox"/> mm ONLY SHT REV 2 INCH PROJECTION <input type="checkbox"/> mm <input type="checkbox"/> INCH <input checked="" type="checkbox"/> mm ONLY 2 INCH PROJECTION	TITLE: 2mm PITCH FLOATING CONN. REC. HS'G ASS'Y -LEAD FREE-
		FINISH 仕上げ	SEE NOTES		DRAWN BY & DATE T.UENO '04/03/11	CHECKED BY & DATE M.SASAO '04/03/11		
0	0	WIRE RANGE 適用電線範囲	—		CAD FILENAME SD-54702-004.S01	SEE CHART	SD-54702-004	1 OF 1
		INS. RANGE 被覆外径	—		THIS DRAWING CONTAINS INFORMATION THAT IS PROPRIETARY TO MOLEX INCORPORATED AND SHOULD NOT BE USED WITHOUT WRITTEN PERMISSION.			SIZE B