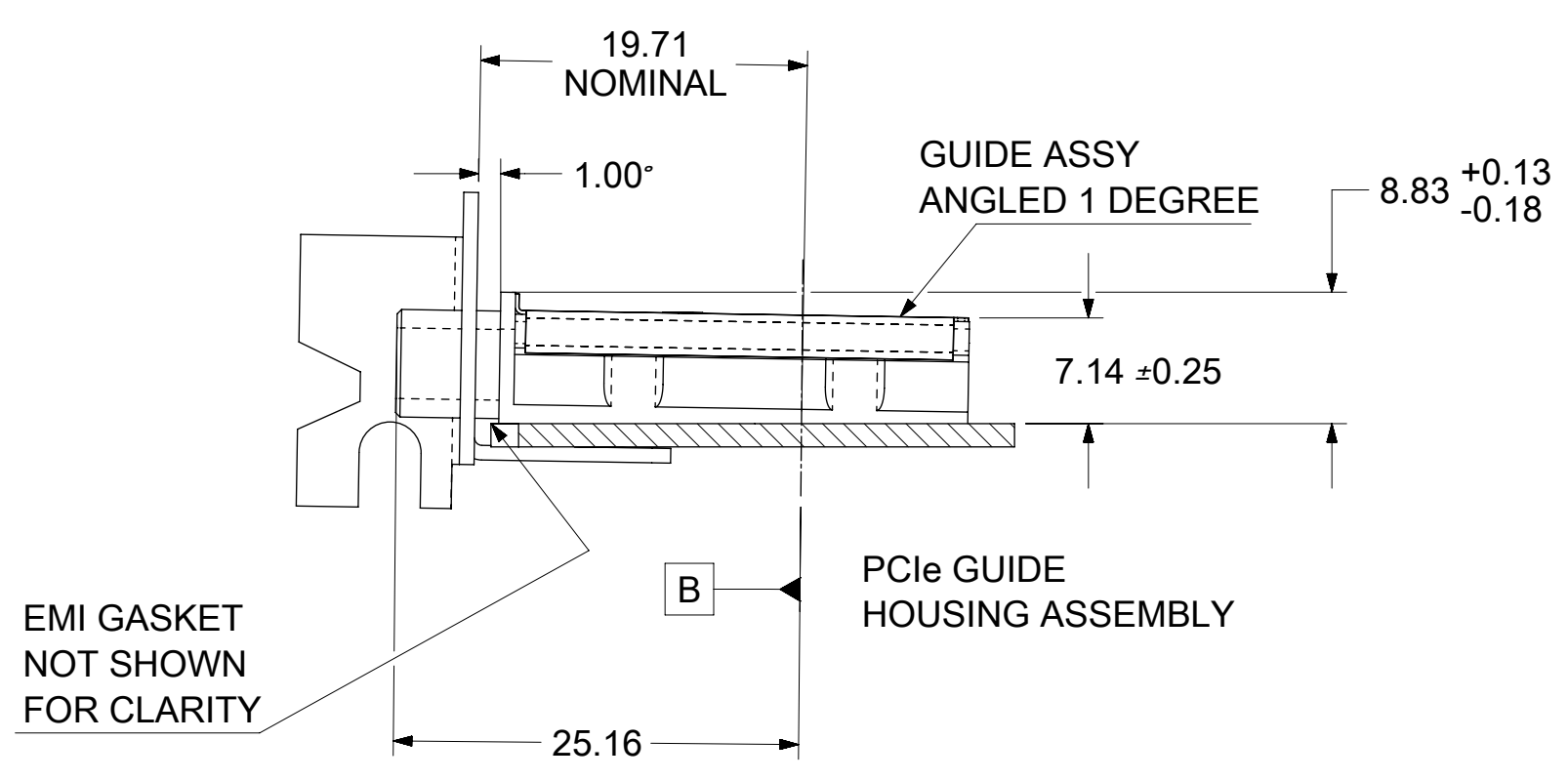


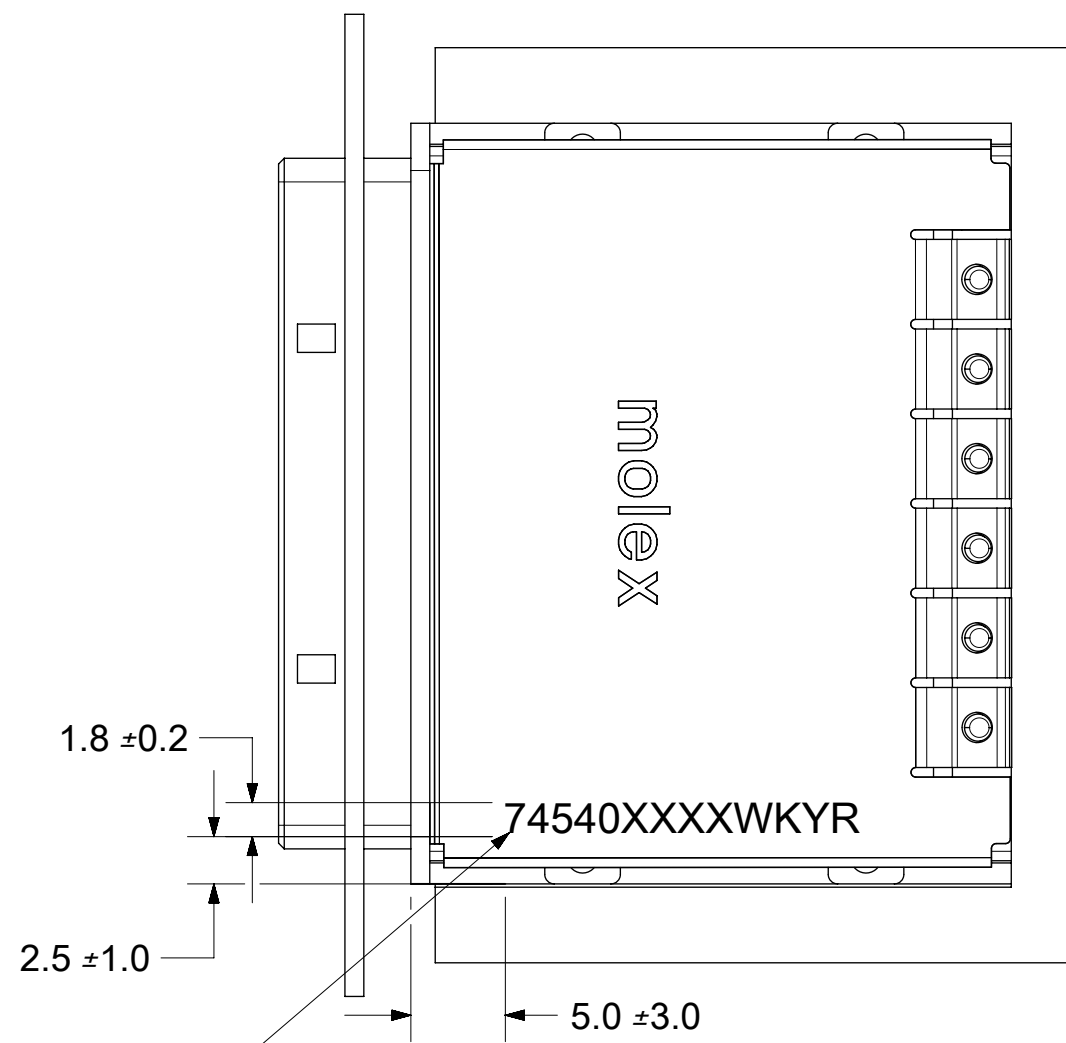
- NOTES:
- REF. PCI EXPRESS CARD ELECTROMECHANICAL SPECIFICATION, REV 1.0a FOR IO BRACKET WINDOW LOCATION.
  - PCB AND IO BRACKET SHOWN FOR REFERENCE ONLY.
  - REFER TO SHEET 2 FOR ATCA GUIDE HOUSING ASSY. SEE SHEET 3 FOR SCREEN LENGTH + TORQUE SPEC.
  - GUIDE HOUSING MOUNTING THREAD=M2 X 0.4
  - PCB NOTCH IS SHOWN FOR PCI COMPLIANT BOARD.
  - THIS PRODUCT MEETS THE RESTRICTIONS OF HAZARDOUS SUBSTANCES IN ELECTRICAL AND ELECTRONIC EQUIPMENT (RoHS) DIRECTIVE (2002/95/EC)
  - PLATE GROUND PAD WITH EMERSION SILVER OR GOLD.
  - MATES WITH MOLEX 8X CABLE SERIES 74546-080X.
  - GUIDE HOUSING PEGS FOR ALIGNMENT ONLY. "DO NOT SOLDER"

PCIe EXPANSION CARD APPLICATION SHOWN USING 1 DEGREE GUIDE HOUSING ASSEMBLY



iPass™ is a trademark of Molex

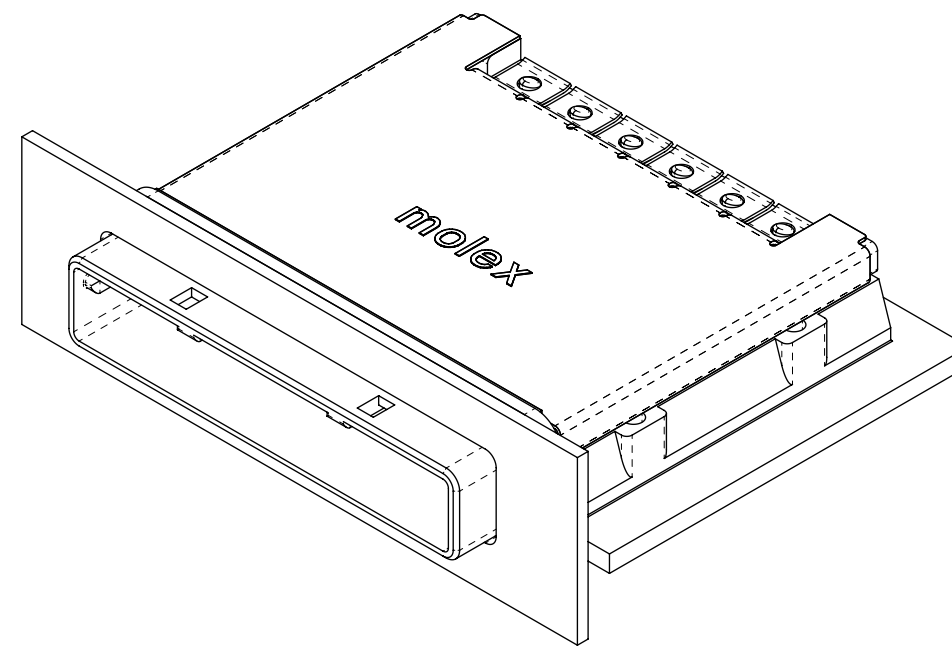
SYMBOLS										THIS DRAWING CONTAINS INFORMATION THAT IS PROPRIETARY TO MOLEX ELECTRONIC TECHNOLOGIES, LLC AND SHOULD NOT BE USED WITHOUT WRITTEN PERMISSION																													
DIMENSION UNITS					SCALE					CURRENT REV DESC: SEE REVISION TABLE																													
= 0 mm					2:1					EC NO: 610421 DRWN: NMUTHARAYAPP 2018/12/13 CHK'D: VK10 2019/01/15 APPR: RCHEN08 2019/01/15 INITIAL REVISION: DRWN: NMUTHARAYAPP 2018/12/13 APPR: RCHEN08 2019/01/15																													
GENERAL TOLERANCES (UNLESS SPECIFIED)																																							
= 0 ANGULAR TOL ± 0.5°					= 0 4 PLACES ±					= 0 3 PLACES ±					= 0 2 PLACES ± 0.05																								
= 0 1 PLACE ± 0.1					= 0 0 PLACES ±					DRAFT WHERE APPLICABLE MUST REMAIN WITHIN DIMENSIONS					THIRD ANGLE PROJECTION																								
= 0					= 0					DRAWING					SERIES																								
= 0					= 0					C-SIZE					74540																								
DOCUMENT NUMBER										DOC TYPE										DOC PART										REVISION									
745400100										PSD										ASY										R									
MATERIAL NUMBER										CUSTOMER										SHEET NUMBER																			
SEE TABLE																				1 OF 4																			



P/N AND WEEK/YEAR DATE CODE TO BE PRINTED ON THE TOP OF COMPLETED CAGE ASSEMBLY AS SHOWN. SEE TABLE BELOW FOR DATE CODE INFORMATION.

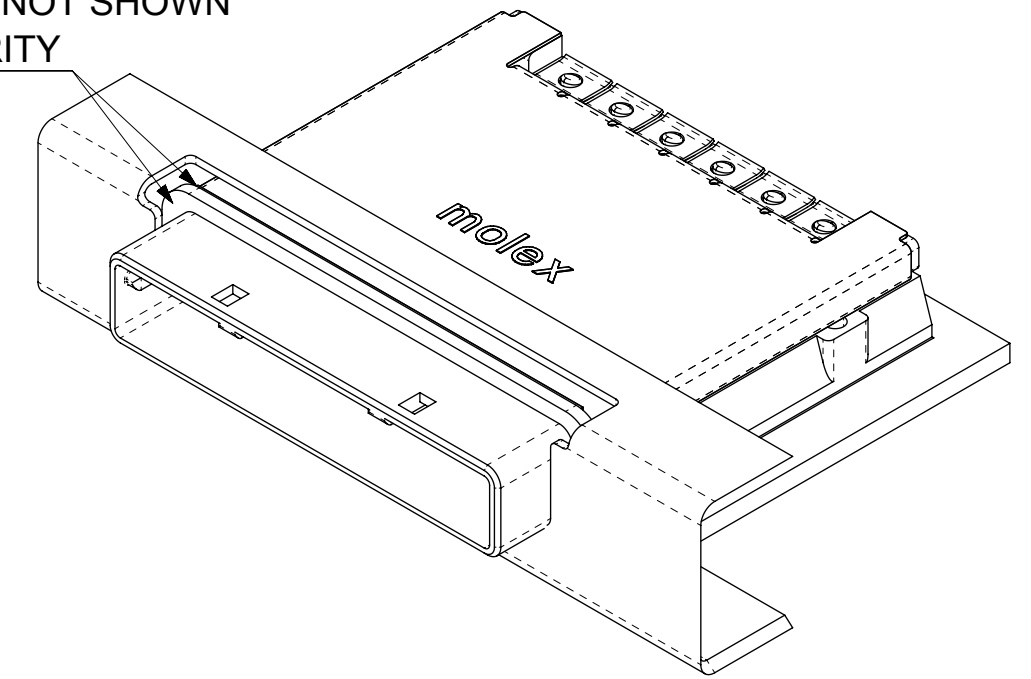
WEEK/YEAR DATE CODE TABLE

WK	WEEK OF THE YEAR 01 THRU 52 (EXAMPLE: 01= FIRST WEEK OF YEAR 52= LAST WEEK OF YEAR)
YR	19, 20, 21,, ETC.. (EXAMPLE: YEAR 2019= 19)

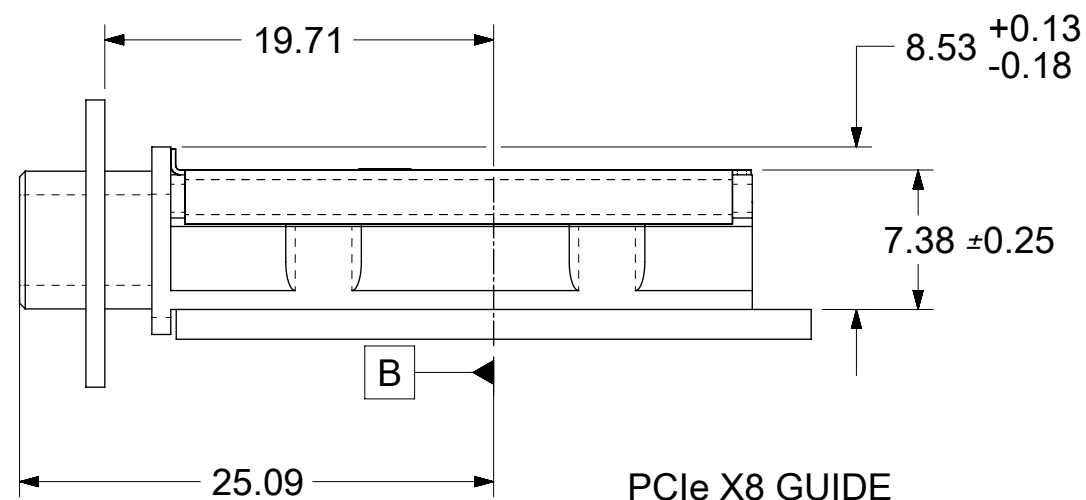
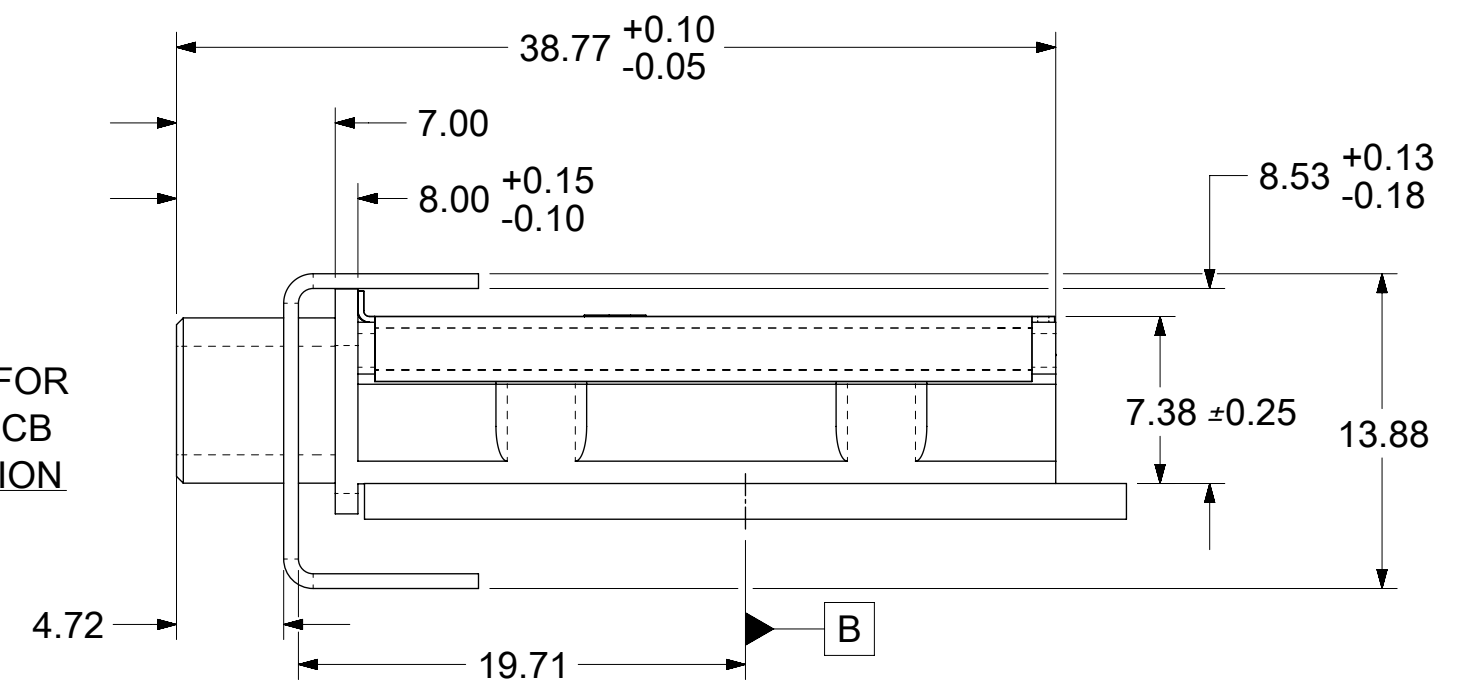
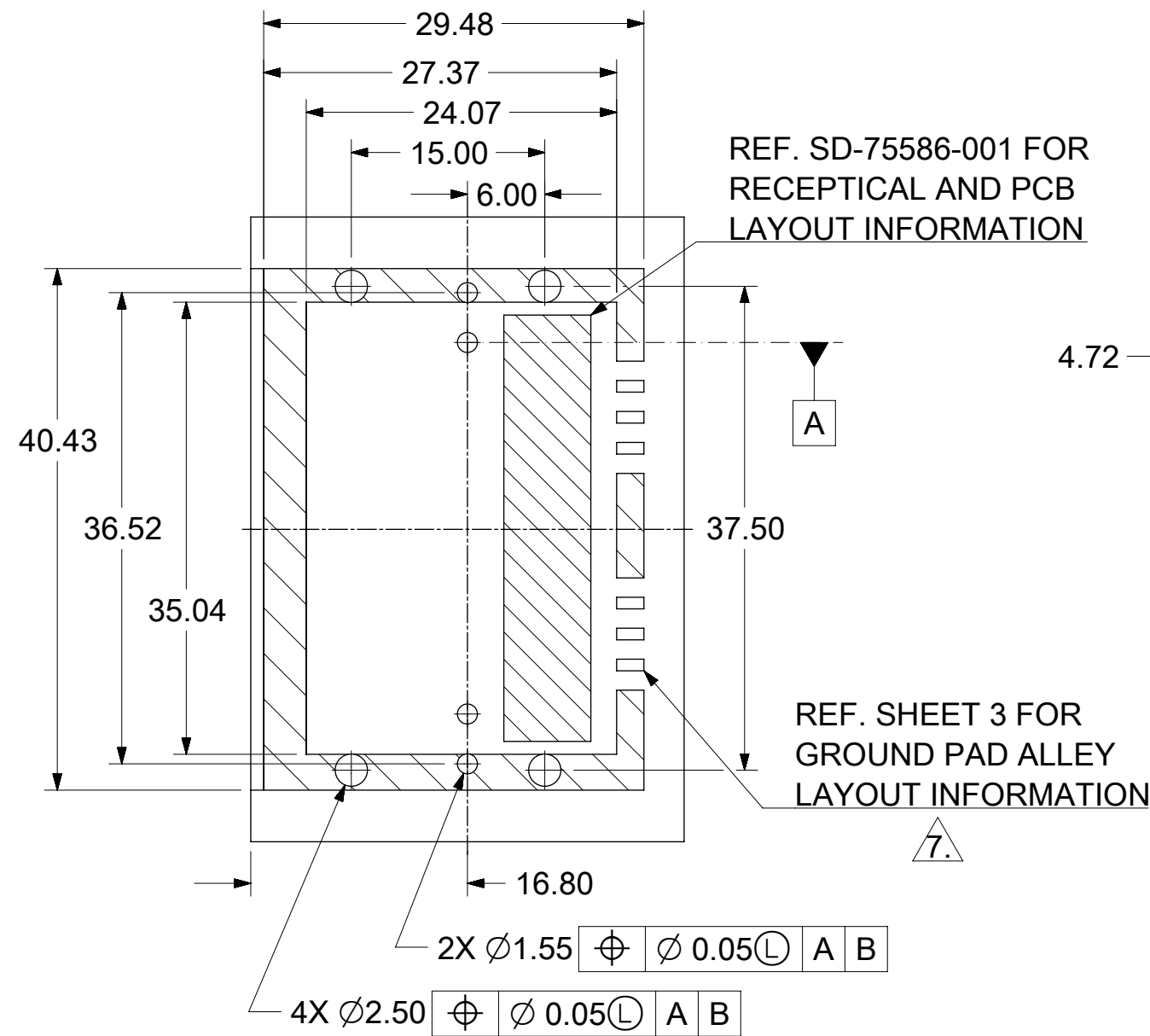


STANDARD APPLICATION SHOWN USING 0 DEG GUIDE HOUSING ASSEMBLY

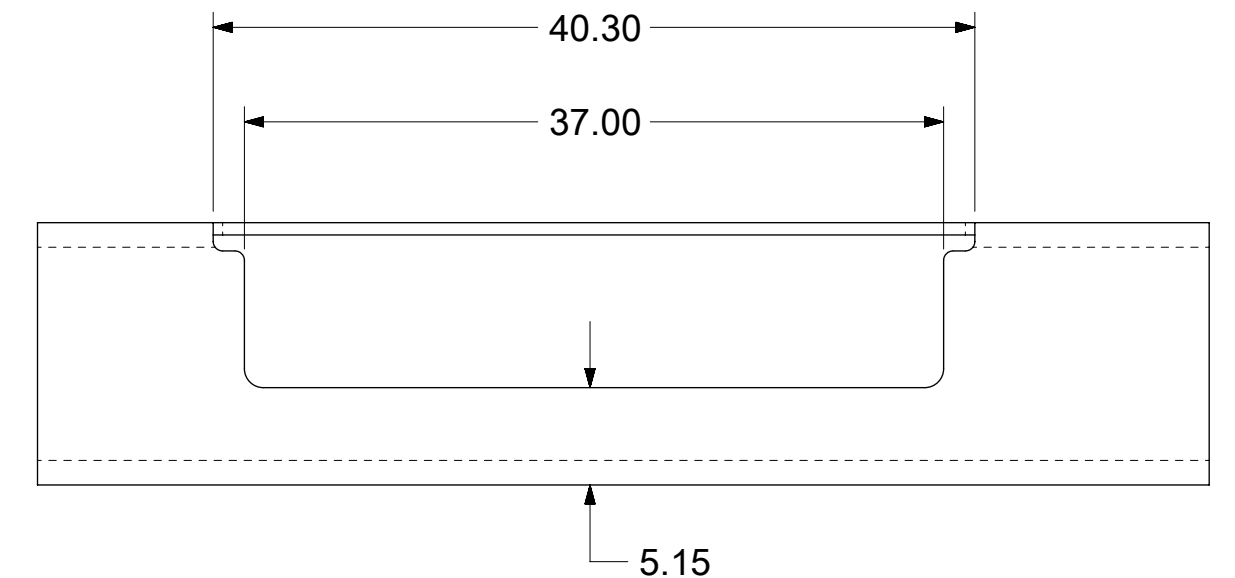
GASKETS NOT SHOWN FOR CLARITY



ADVANCED TCA APPLICATION USING 0 DEG GUIDE HOUSING ASSEMBLY



PCIe X8 GUIDE HOUSING ASSEMBLY

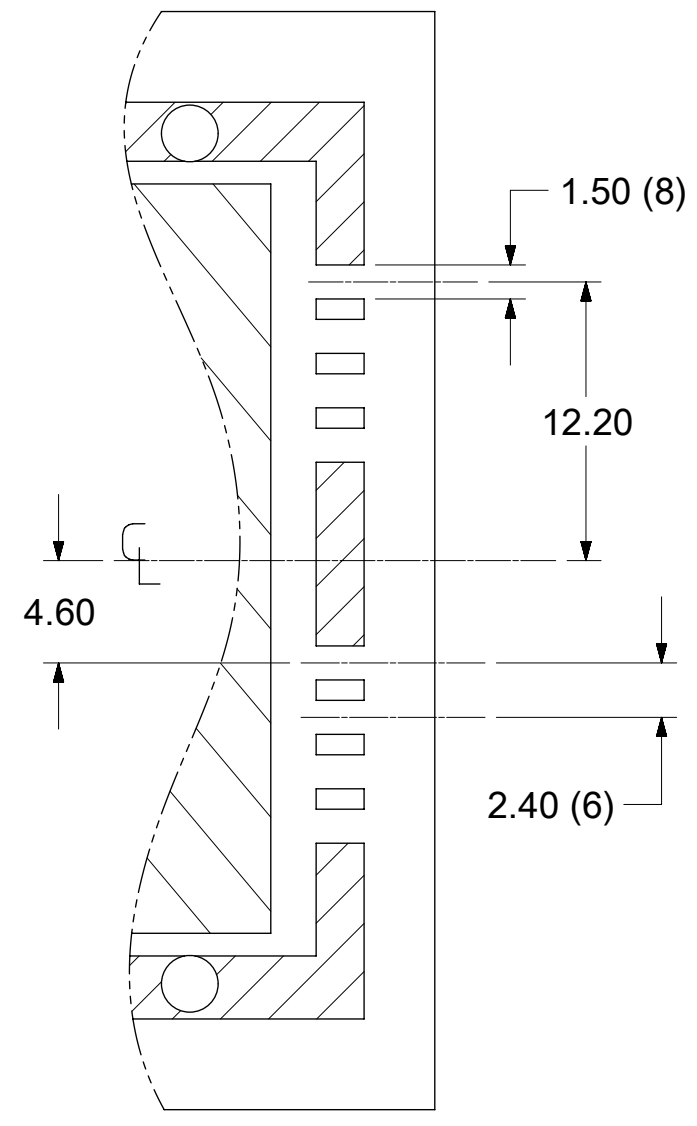


iPass™ is a trademark of Molex

SYMBOLS		THIS DRAWING CONTAINS INFORMATION THAT IS PROPRIETARY TO MOLEX ELECTRONIC TECHNOLOGIES, LLC AND SHOULD NOT BE USED WITHOUT WRITTEN PERMISSION		CURRENT REV DESC: SEE REVISION TABLE	
▽ = 0	0	mm	1:1	<b>molex</b> I-PASS X8 EMI GUIDE HOUSING ASSEMBLY PRODUCT CUSTOMER DRAWING DOCUMENT NUMBER: 745400100 DOC TYPE: PSD ASY R MATERIAL NUMBER: SEE TABLE CUSTOMER: SEE TABLE SHEET NUMBER: 2 OF 4	
▽ = 0	0	GENERAL TOLERANCES (UNLESS SPECIFIED)			
▽ = 0	0	ANGULAR TOL ± 0.5°			
▽ = 0	0	4 PLACES ±			
▽ = 0	0	3 PLACES ±			
▽ = 0	0	2 PLACES ± 0.05			
▽ = 0	0	1 PLACE ± 0.1		EC NO: 610421 DRWN: NMUTHARAYAPP 2018/12/13 CHK'D: VK10 2019/01/15 APPR: RCHEN08 2019/01/15 INITIAL REVISION: DRWN: NMUTHARAYAPP 2018/12/13 APPR: RCHEN08 2019/01/15	
▽ = 0	0	DRAFT WHERE APPLICABLE MUST REMAIN WITHIN DIMENSIONS		THIRD ANGLE PROJECTION	DRAWING: C-SIZE
▽ = 0	0			SERIES: 74540	

MOLEX P/N	DESCRIPTION	GEN
745400100	8x EMI Guide Housing Assembly - PCIe /1 Deg	Gen 1
745400200	8x EMI Guide Housing Assembly - ATCA /0 Deg	Gen 1
745400205	8x EMI Guide Housing Assembly - W/O Gasket - ATCA / 0 Deg	Gen 1

PCB THICKNESS	SCREW LENGTH	TORQUE(IN LBS)
1.6	5MM	2.3
2.38	6MM	2.3
3.2	6MM	2.3
	+4MM MAX	2.3




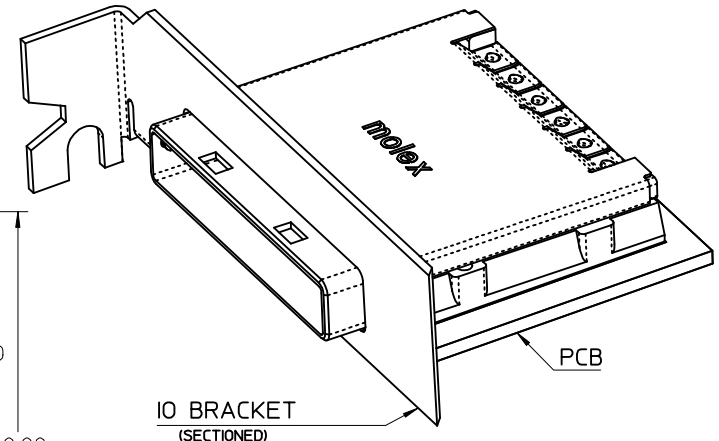
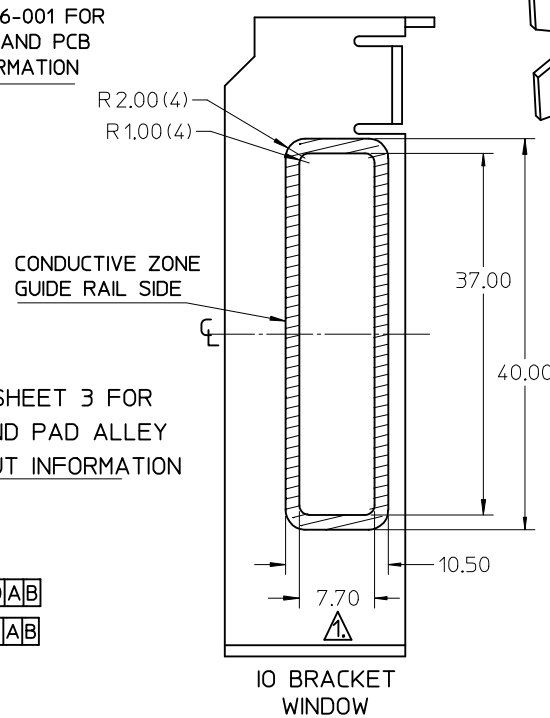
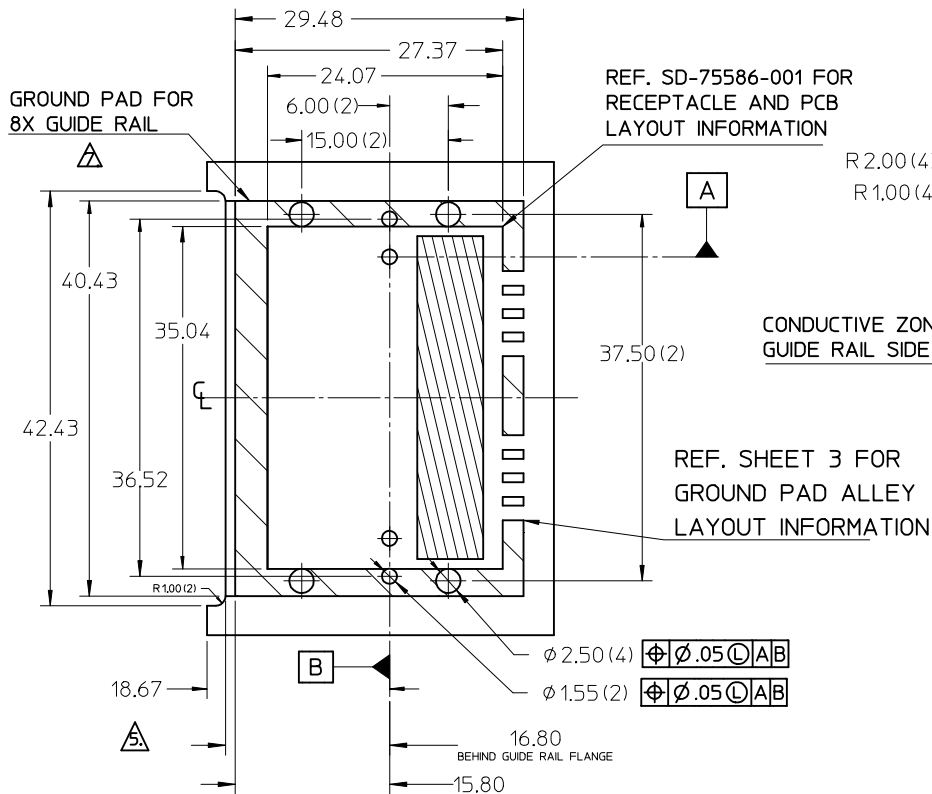
PARTIAL1  
SCALE 2:1  
GROUND PAD ALLEY  
LAYOUT INFORMATION

7.

SYMBOLS	THIS DRAWING CONTAINS INFORMATION THAT IS PROPRIETARY TO MOLEX ELECTRONIC TECHNOLOGIES, LLC AND SHOULD NOT BE USED WITHOUT WRITTEN PERMISSION										
	DIMENSION UNITS	SCALE	CURRENT REV DESC: SEE REVISION TABLE								
▽ = 0	mm	1:1	EC NO: 610421								
▽ = 0	GENERAL TOLERANCES (UNLESS SPECIFIED)		DRWN: NMUTHARAYAPP 2018/12/13							PRODUCT CUSTOMER DRAWING	
▽ = 0	ANGULAR TOL ± 0.5°		CHK'D: VK10 2019/01/15							DOCUMENT NUMBER	
▽ = 0	4 PLACES ±		APPR: RCHEN08 2019/01/15							745400100	
▽ = 0	3 PLACES ±		INITIAL REVISION:							DOC TYPE DOC PART REVISION	
▽ = 0	2 PLACES ± 0.05		DRWN: NMUTHARAYAPP 2018/12/13							PSD ASY R	
▽ = 0	1 PLACE ± 0.1		APPR: RCHEN08 2019/01/15							MATERIAL NUMBER CUSTOMER SHEET NUMBER	
▽ = 0	0 PLACES ±		THIRD ANGLE PROJECTION		DRAWING		SERIES		SEE TABLE		
▽ = 0	DRAFT WHERE APPLICABLE MUST REMAIN WITHIN DIMENSIONS		C-SIZE		74540		3 OF 4				

REV	DATE	DESCRIPTION
R	2019/01/15	1. REMASTERD FROM SD-74540-100 REV_Q TO 745400100 PSD ASY REV_R IN NX 2. SHEET 2: G10: ADDED TOP VIEW AND PLACED INK MARK IN TOP VIEW 3. SHEET 4: ADDED REVISION TABLE

SYMBOLS												THIS DRAWING CONTAINS INFORMATION THAT IS PROPRIETARY TO MOLEX ELECTRONIC TECHNOLOGIES, LLC AND SHOULD NOT BE USED WITHOUT WRITTEN PERMISSION											
DIMENSION UNITS			SCALE			CURRENT REV DESC: SEE REVISION TABLE						 I-PASS X8 EMI GUIDE HOUSING ASSEMBLY PRODUCT CUSTOMER DRAWING											
mm			1:1			EC NO: 610421																	
GENERAL TOLERANCES (UNLESS SPECIFIED)						DRWN: NMUTHARAYAPP 2018/12/13																	
ANGULAR TOL ± 0.5°						CHK'D: VK10 2019/01/15																	
▽ = 0			4 PLACES ±			APPR: RCHEN08 2019/01/15						DOCUMENT NUMBER											
▽ = 0			3 PLACES ±			INITIAL REVISION:						745400100			DOC TYPE								
▽ = 0			2 PLACES ± 0.05			DRWN: NMUTHARAYAPP 2018/12/13						PSD			DOC PART								
▽ = 0			1 PLACE ± 0.1			APPR: RCHEN08 2019/01/15						ASY			REVISION								
⊠ = 0			0 PLACES ±			DRAFT WHERE APPLICABLE MUST REMAIN WITHIN DIMENSIONS						MATERIAL NUMBER			CUSTOMER								
■ = 0			THIRD ANGLE PROJECTION			DRAWING			SERIES			SHEET NUMBER											
▽ = 0			C-SIZE			74540			SEE TABLE			4 OF 4											



PCIe EXPANSION CARD APPLICATION SHOWN USING 1 DEGREE GUIDE HOUSING ASSEMBLY

- NOTES:
- REF. PCI EXPRESS CARD ELECTROMECHANICAL SPECIFICATION, REV 1.0a FOR IO BRACKET WINDOW LOCATION.
  - PCB AND IO BRACKET SHOWN FOR REFERENCE ONLY.
  - REFER TO SHEET 2 FOR ATCA GUIDE HOUSING ASSY. SEE SHEET 3 FOR SCREEN LENGTH + TORQUE SPEC.
  - GUIDE HOUSING MOUNTING THREAD= M2 X 0.4
  - PCB NOTCH IS SHOWN FOR PCI COMPLIANT BOARD.
  - THIS PRODUCT MEETS THE RESTRICTIONS OF HAZARDOUS SUBSTANCES IN ELECTRICAL AND ELECTRONIC EQUIPMENT (RoHS) DIRECTIVE (2002/95/EC)
  - PLATE GROUND PAD WITH EMERSON SILVER OR GOLD.
  - MATES WITH MOLEX 8X CABLE SERIES 74546-080X.
  - GUIDE HOUSING PEGS FOR ALIGNMENT ONLY. 'DO NOT SOLDER'

iPass™ is a trademark of Molex

I-PASS X8 EMI GUIDE HOUSING ASSEMBLY

MOLEX INCORPORATED

DOCUMENT NO. SD-74540-100

SHEET NO. 1 OF 3

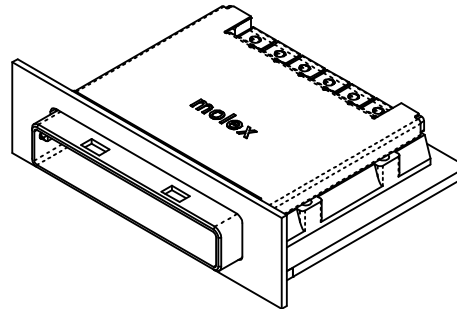
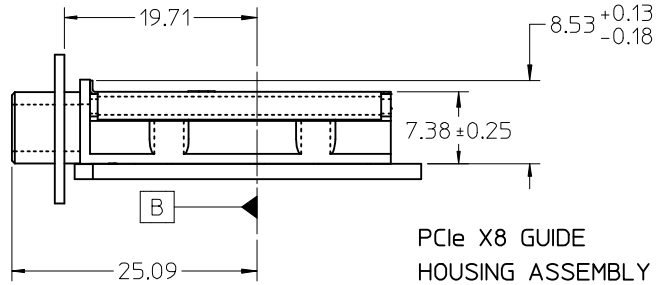
ADD P/N TO TABLE	EC NO: CPG2012-2100
	DRWN:TPRATT 2012/06/28
	CHKD:AJOHNSTON 2012/06/28
	APPR:KLLLOYD 2012/07/06
REV	DESCRIPTION

QUALITY SYMBOLS	▽=0
	▽=0

	GENERAL TOLERANCES (UNLESS SPECIFIED)	
	mm	INCH
4 PLACES	± ---	± ---
3 PLACES	± ---	± ---
2 PLACES	± 0.05	± ---
1 PLACE	± 0.10	± ---
ANGULAR		± 1/2°
DRAFT WHERE APPLICABLE MUST REMAIN WITHIN DIMENSIONS		

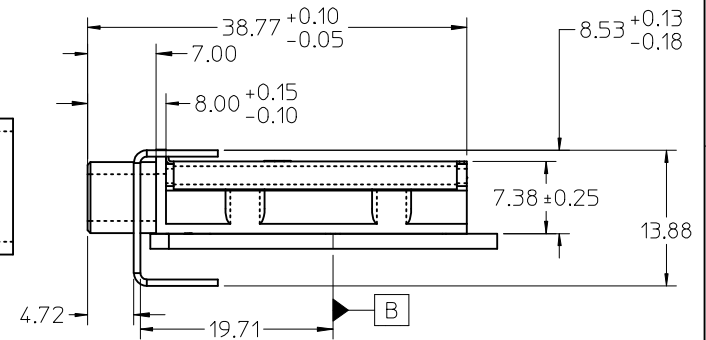
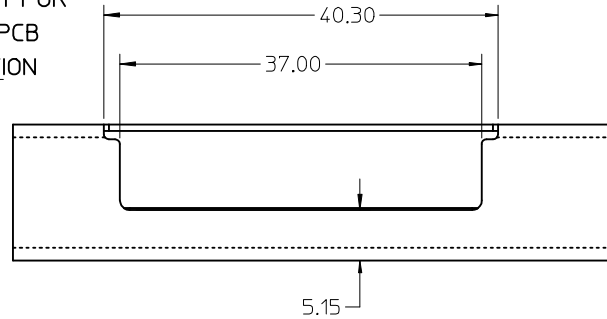
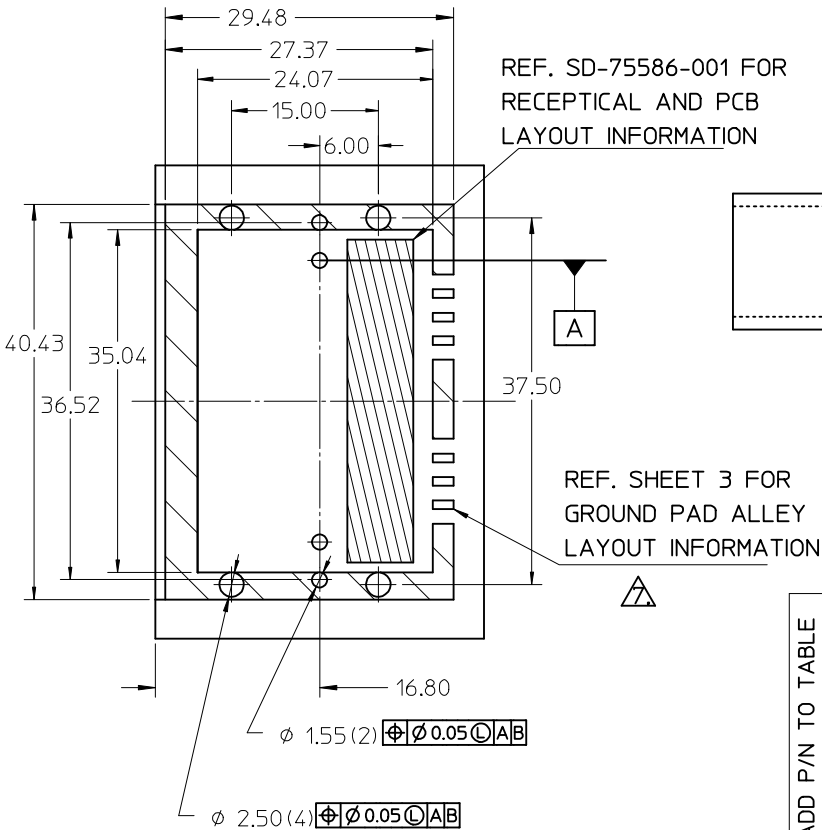
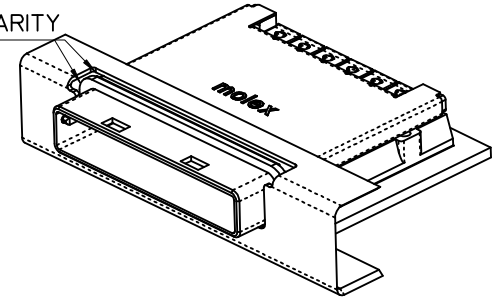
DIMENSION STYLE	
MM ONLY	
DRAWN BY	DATE
BREED	2004/11/11
CHECKED BY	DATE
DDOYE	2004/11/11
APPROVED BY	DATE
DDOYE	2004/11/11
MATERIAL NO.	SEE TABLE
SIZE	B

SCALE	2:1	DESIGN UNITS	METRIC	THIRD ANGLE PROJECTION
MOLEX INCORPORATED				
DOCUMENT NO. SD-74540-100				SHEET NO. 1 OF 3
THIS DRAWING CONTAINS INFORMATION THAT IS PROPRIETARY TO MOLEX INCORPORATED AND SHOULD NOT BE USED WITHOUT WRITTEN PERMISSION				



STANDARD APPLICATION SHOWN USING 0 DEG GUIDE HOUSING ASSEMBLY

GASKETS NOT SHOWN FOR CLARITY

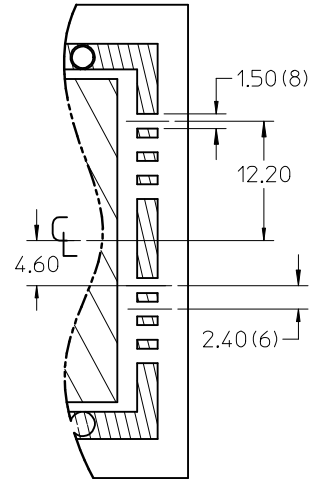


iPass™ is a trademark of Molex

ADD P/N TO TABLE EC NO: CPG2012-2100 DRAWN: TPRAATT 2012/06/28 CHKD: AJOHNSTON 2012/06/28 APPR: KLLOYD 2012/07/06	REV DESCRIPTION Q	QUALITY SYMBOLS	GENERAL TOLERANCES (UNLESS SPECIFIED) mm INCH 4 PLACES ± --- ± --- 3 PLACES ± --- ± --- 2 PLACES ± 0.05 ± --- 1 PLACE ± 0.10 ± --- ANGULAR ± 1/2°	DIMENSION STYLE MM ONLY	SCALE 1:1	DESIGN UNITS METRIC	THIRD ANGLE PROJECTION
		DRAWN BY DATE BREED 2004/11/11		CHECKED BY DATE DDOYE 2004/11/11	TITLE I-PASS X8 EMI GUIDE HOUSING ASSEMBLY		
		APPROVED BY DATE DDOYE 2004/11/11		MATERIAL NO. SEE TABLE			DOCUMENT NO. SD-74540-100
		DRAFT WHERE APPLICABLE MUST REMAIN WITHIN DIMENSIONS			MOLEX INCORPORATED THIS DRAWING CONTAINS INFORMATION THAT IS PROPRIETARY TO MOLEX INCORPORATED AND SHOULD NOT BE USED WITHOUT WRITTEN PERMISSION		

MOLEX P/N	DESCRIPTION	GEN
745400100	8x EMI Guide Housing Assembly - PCIe / 1 Deg	Gen 1
745400200	8x EMI Guide Housing Assembly - ATCA / 0 Deg	Gen 1
745400205	8x EMI Guide Housing Assembly - W/O Gasket - ATCA / 0 Deg	Gen 1

PCB THICKNESS	SCREW LENGTH	TORQUE (IN LBS)
1.6 (.063")	5MM	2.3
2.38 (.093")	6MM	2.3
3.2 (.125")	6MM	2.3
	+4MM MAX	2.3

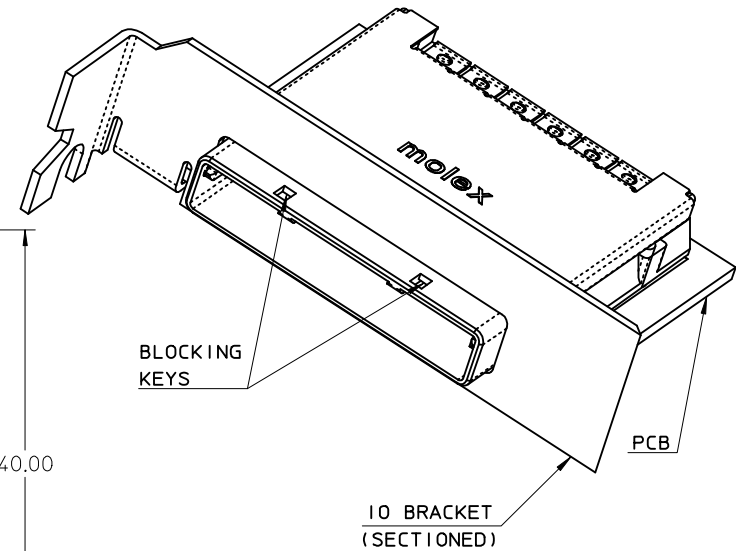
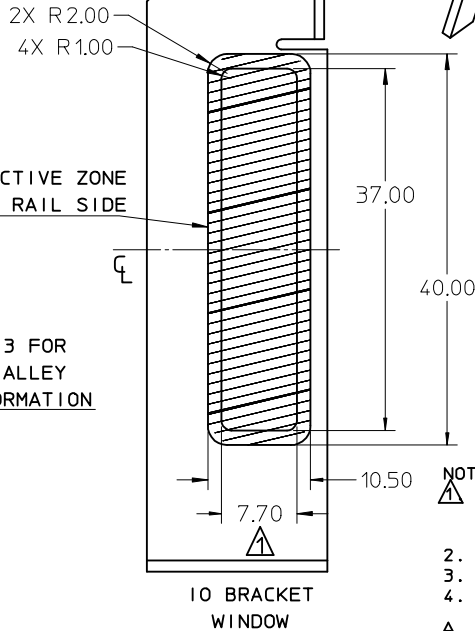
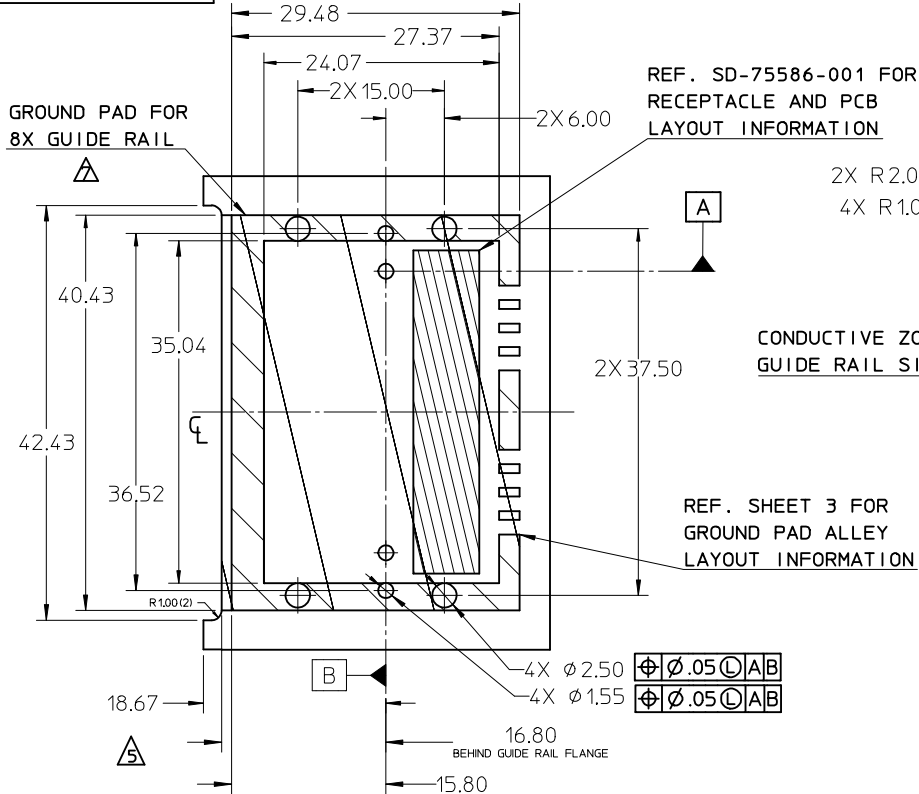


PARTIAL1  
SCALE 2:1  
GROUND PAD ALLEY  
LAYOUT INFORMATION



ADD P/N TO TABLE EC NO: CPG2012-2100 DRAWN: TPRAATT 2012/06/28 CHKD: A JOHNSTON 2012/06/28 APPR: K LLOYD 2012/07/06	DESCRIPTION REV	QUALITY SYMBOLS	GENERAL TOLERANCES (UNLESS SPECIFIED)	DIMENSION STYLE	SCALE	DESIGN UNITS	THIRD ANGLE PROJECTION	
		▼=0 ▽=0	mm INCH 4 PLACES ± --- ± --- 3 PLACES ± --- ± --- 2 PLACES ± 0.05 ± --- 1 PLACE ± 0.10 ± --- ANGULAR ± 1/2°	MM ONLY	1:1	METRIC	DRAWN BY DATE BREED 2004/11/11 CHECKED BY DATE DDOYE 2004/11/11 APPROVED BY DATE DDOYE 2004/11/11	TITLE I-PASS X8 EMI GUIDE HOUSING ASSEMBLY
		DRAFT WHERE APPLICABLE MUST REMAIN WITHIN DIMENSIONS	SEE TABLE	MATERIAL NO.	DOCUMENT NO.	SHEET NO.	Molex MOLEX INCORPORATED SD-74540-100 3 OF 3	
		THIS DRAWING CONTAINS INFORMATION THAT IS PROPRIETARY TO MOLEX INCORPORATED AND SHOULD NOT BE USED WITHOUT WRITTEN PERMISSION						

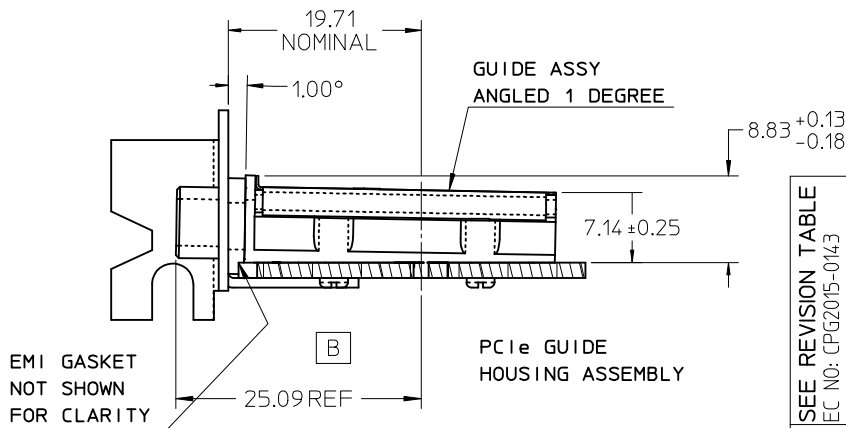
MM : TM-74540-0206



PCIe EXPANSION CARD APPLICATION SHOWN USING 1 DEGREE GUIDE HOUSING ASSEMBLY

- NOTES:
- REF. PCI EXPRESS CARD ELECTROMECHANICAL SPECIFICATION, REV 1.0a FOR 10 BRACKET WINDOW LOCATION.
  - PCB AND 10 BRACKET SHOWN FOR REFERENCE ONLY.
  - REFER TO SHEET 2 FOR ATCA GUIDE HOUSING ASSY.
  - GUIDE HOUSING MOUNTING THREAD= M2 X 0.4, SEE SHEET 3 FOR SCREW LENGTH + TORQUE SPEC.
  - PCB NOTCH IS SHOWN FOR PCI COMPLIANT BOARD.
  - THIS PRODUCT MEETS THE RESTRICTION OF HAZARDOUS SUBSTANCES IN ELECTRICAL AND ELECTRONIC EQUIPMENT (RoHS) DIRECTIVE (2002/95/EC).
  - PLATE GROUND PAD WITH EMERSION SILVER OR GOLD.
  - MATES WITH MOLEX 8X CABLE SERIES 74546-080X.
  - GUIDE HOUSING PEGS FOR ALIGNMENT ONLY, DO NOT SOLDER.
  - MATERIAL: NI PLATED ZINC DIECAST.

iPass™ is a trademark of Molex



SEE REVISION TABLE EC NO: CPG2015-0143 DRAWN: WANG07 2014/07/11 CHKD: SYANG16 2014/07/14 APPR: RCHEN08 2014/07/28	QUALITY SYMBOLS	GENERAL TOLERANCES (UNLESS SPECIFIED)	DIMENSION STYLE	SCALE	DESIGN UNITS	THIRD ANGLE PROJECTION
	▽=0	mm INCH	MM ONLY	2:1	METRIC	⊙
	▽=0	4 PLACES ± --- ± ---	DRAWN BY DATE	TITLE		
	▽=0	3 PLACES ± --- ± ---	JERWIN 2006/05/25	I-PASS X8 EMI GUIDE HOUSING ASSEMBLY W/ KEYS		
	▽=0	2 PLACES ± 0.05 ± ---	CHECKED BY DATE	molex		

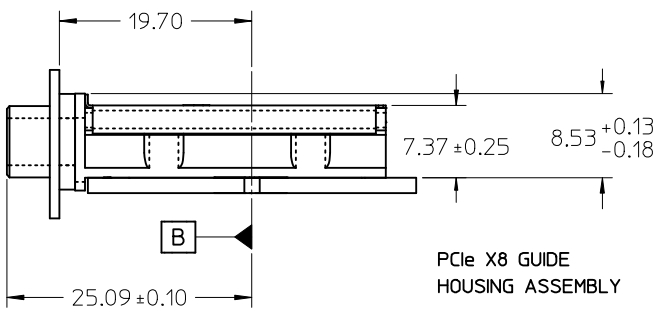
1 PLACE ± 0.10 ± ---	APPROVED BY DATE	MATERIAL NO.	DOCUMENT NO.	SHEET NO.
0 PLACE ± ±	DDOYE 2006/05/25	SEE P/N TABLE	SD-74540-101	1 OF 4

ANGULAR ± 1/2°  
DRAFT WHERE APPLICABLE MUST REMAIN WITHIN DIMENSIONS

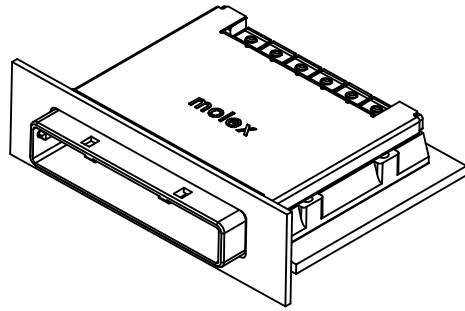
SIZE B  
THIS DRAWING CONTAINS INFORMATION THAT IS PROPRIETARY TO MOLEX INCORPORATED AND SHOULD NOT BE USED WITHOUT WRITTEN PERMISSION



10 9 8 7 6 5 4 3 2 1

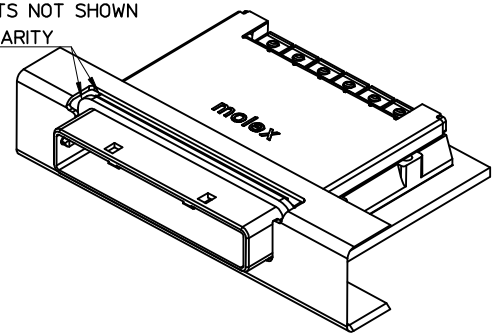


PCIe X8 GUIDE HOUSING ASSEMBLY

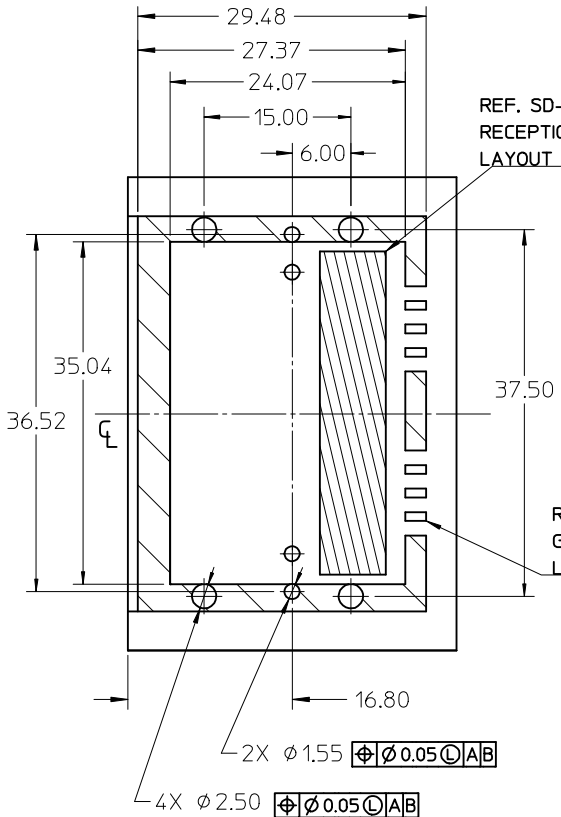


STANDARD APPLICATION SHOWN USING 0 DEG GUIDE HOUSING ASSEMBLY

GASKETS NOT SHOWN FOR CLARITY

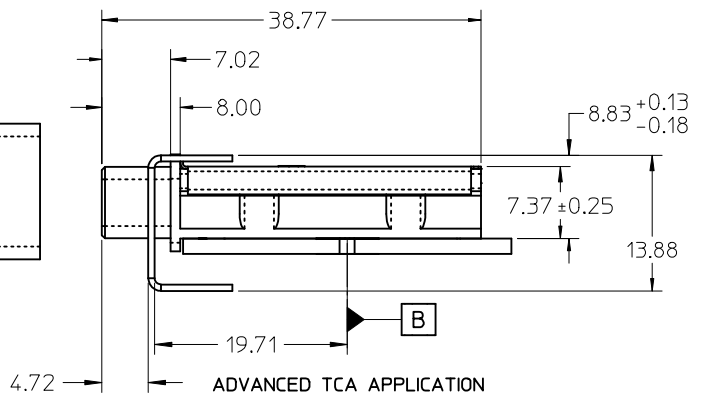
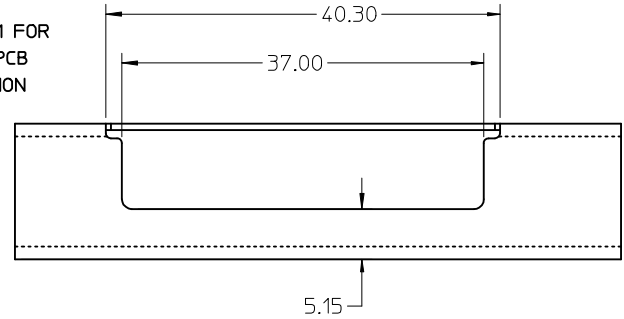


ADVANCED TCA APPLICATION USING 0 DEG GUIDE HOUSING ASSEMBLY



REF. SD-75586-001 FOR RECEPTAL AND PCB LAYOUT INFORMATION

REF. SHEET 3 FOR GROUND PAD ALLEY LAYOUT INFORMATION



iPass™ is a trademark of Molex

SEE REVISION TABLE

EC NO: CPG2015-0143	2014/07/11
DRW:NEWANG07	2014/07/14
CHKD:SYANG16	2014/07/28
APPR:RCHEN08	

QUALITY SYMBOLS	DESCRIPTION
$\nabla = 0$	
$\nabla = 0$	
$\nabla = 0$	

GENERAL TOLERANCES (UNLESS SPECIFIED)	
mm	INCH
4 PLACES ± ---	± ---
3 PLACES ± ---	± ---
2 PLACES ± 0.05	± ---
1 PLACE ± 0.10	± ---
0 PLACE ±	±
ANGULAR ± 1/2°	
DRAFT WHERE APPLICABLE MUST REMAIN WITHIN DIMENSIONS	

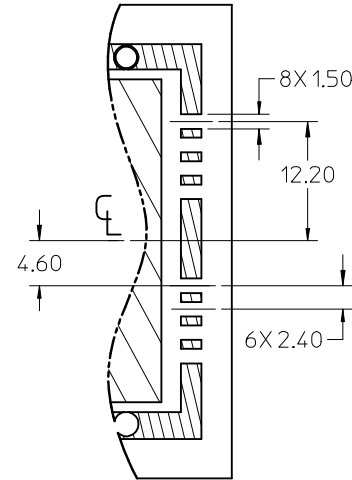
DIMENSION STYLE	
MM ONLY	
DRAWN BY	DATE
JERWIN	2006/05/25
CHECKED BY	DATE
BREED	2006/05/25
APPROVED BY	DATE
DDOYE	2006/05/25
MATERIAL NO.	
SEE P/N TABLE	

SCALE	DESIGN UNITS	THIRD ANGLE PROJECTION
2:1	METRIC	$\odot$ $\square$
TITLE		
I-PASS X8 EMI GUIDE HOUSING ASSEMBLY W/ KEYS		
<b>molex</b>		
DOCUMENT NO.	SHEET NO.	
SD-74540-101	2 OF 4	

9 8 7 6 5 4 3 2 1

MOLEX P/N	DESCRIPTION	GEN
745400101	8x EMI Guide Housing Assembly - PCIe / 1 Deg	Gen 1
745400201	8x EMI Guide Housing Assembly - ATCA / 0 Deg	Gen 1

PCB THICKNESS	SCREW LENGTH	TORQUE (IN LBS)
1.6 (.063")	5MM	2.3
2.38 (.093")	6MM	2.3
3.2 (.125")	6MM	2.3
X	+4MM MAX	2.3



GROUND PAD ALLEY  
LAYOUT INFORMATION



SEE REVISION TABLE EC NO: CPG2015-0143 DRAWN: WANG07 2014/07/11 CHKD: SYANG16 2014/07/14 APPR: RCHEN08 2014/07/28	QUALITY SYMBOLS	GENERAL TOLERANCES (UNLESS SPECIFIED)	DIMENSION STYLE	SCALE	DESIGN UNITS	THIRD ANGLE PROJECTION	
	▽=0	mm INCH	MM ONLY	2:1	METRIC		
	▽=0	4 PLACES ± --- ± ---	DRAWN BY DATE			I-PASS X8 EMI GUIDE HOUSING ASSEMBLY W/ KEYS	
	▽=0	3 PLACES ± --- ± ---	JERWIN 2006/05/25				
▽=0	2 PLACES ± 0.05 ± ---	CHECKED BY DATE			<b>molex</b> SD-74540-101		
	1 PLACE ± 0.10 ± ---	BREED 2006/05/25					
	0 PLACE ± ±	APPROVED BY DATE				SHEET NO.	
		DDOYE 2006/05/25				3 OF 4	
		ANGULAR ± 1/2°	MATERIAL NO.				
		DRAFT WHERE APPLICABLE MUST REMAIN WITHIN DIMENSIONS	SEE P/N TABLE				
			SIZE B				
			THIS DRAWING CONTAINS INFORMATION THAT IS PROPRIETARY TO MOLEX INCORPORATED AND SHOULD NOT BE USED WITHOUT WRITTEN PERMISSION				

REVISION HISTORY

DATE (YEAR/MONTH/DAY)	REV	DESCRIPTION
2013/12/18	H	1. ADDED NOTES 10. MATERIAL: Ni PLATED ZINC DIECAST. [SHT 1] 2. CHANGED W/ NEW MOLEX FORMAT
2014/07/11	J	1. CHANGED 25.16 TO 25.09REF TO MEET PCI EXPRESS EXTERNAL CABLING SPECIFICATION @A9 [SHEET 1] 2. ADDED MM 3D NO. @F10 [SHEET 1] 3. THE MOLEX CHARACTER FIGURE UPDATE @F2 [SHEET 1], @F2 F5 [SHEET 2] 4. CHANGED 25.09 TO 25.09+/-0.1 @E9 [SHEET 2]

SEE REVISION TABLE EC NO: CPG2015-0143 DRW:NEWANG07 2014/07/11 CHKD:SYANG16 2014/07/14 APPR:RCHEN08 2014/07/28	QUALITY SYMBOLS	GENERAL TOLERANCES (UNLESS SPECIFIED)	DIMENSION STYLE	SCALE	DESIGN UNITS	THIRD ANGLE PROJECTION
	▽F/0	mm INCH	MM ONLY	1:1	METRIC	I-PASS X8 EMI GUIDE HOUSING ASSEMBLY W/ KEYS <b>molex</b> DOCUMENT NO. SD-74540-101 SHEET NO. 4 OF 4
	▽F/0	4 PLACES ± --- ± ---	DRAWN BY DATE	JERWIN 2006/05/25	TITLE	
	▽F/0	3 PLACES ± --- ± ---	CHECKED BY DATE	BREED 2006/05/25		
	▽F/0	2 PLACES ± 0.05 ± ---	APPROVED BY DATE	DDOYE 2006/05/25		
▽F/0	1 PLACE ± 0.10 ± ---	MATERIAL NO.				
	0 PLACE ± ±	ANGULAR ±1/2°	SEE P/N TABLE			
		DRAFT WHERE APPLICABLE MUST REMAIN WITHIN DIMENSIONS	SIZE B	THIS DRAWING CONTAINS INFORMATION THAT IS PROPRIETARY TO MOLEX INCORPORATED AND SHOULD NOT BE USED WITHOUT WRITTEN PERMISSION		