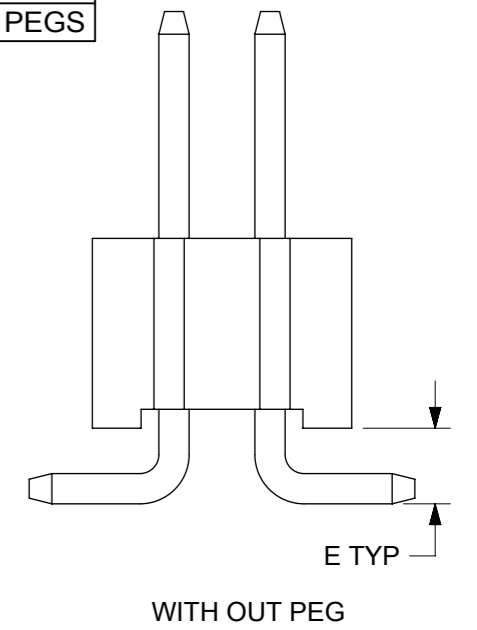
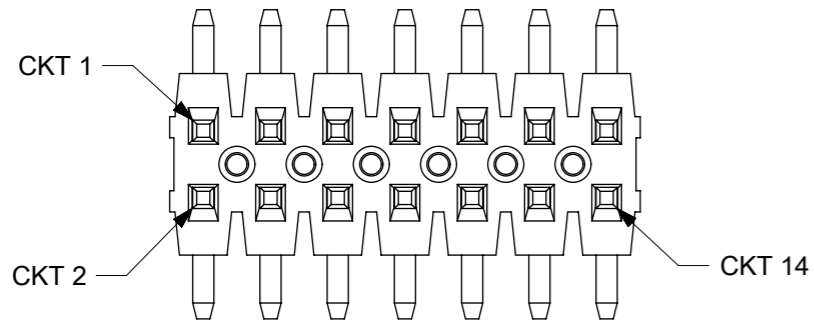


0.3	Z	X	Y	FOR PARTS WITH PEGS
0.3	Z	X	Y	FOR PARTS W/O PEGS

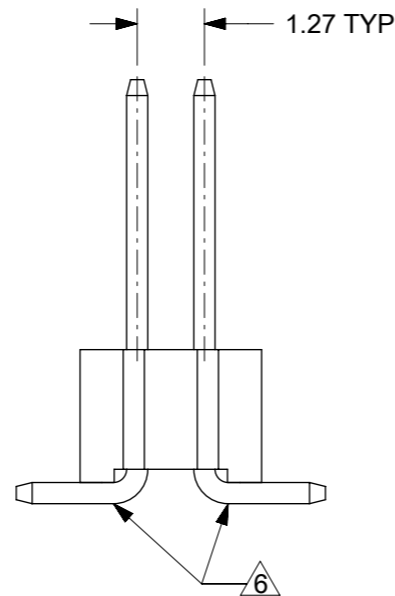
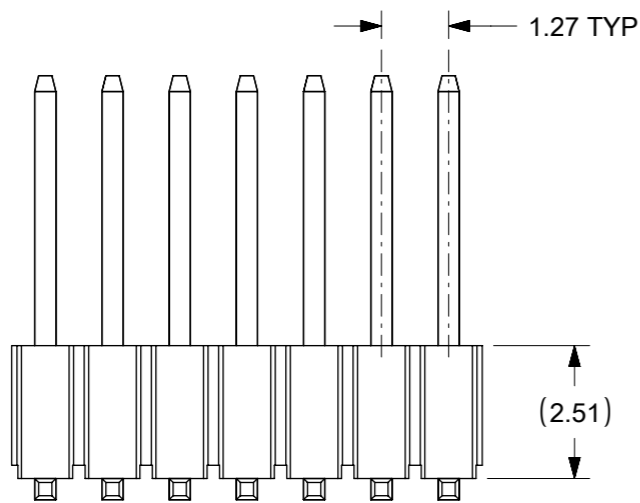


<b>SYMBOLS</b> DIMENSION UNITS SCALE CURRENT REV DESC: EC NO: 674911 DRWN: ABABUPS 2021/06/09 CHK'D: MRAMAKRISHNA 2021/08/23 APPR: MRAMAKRISHNA 2021/08/23 INITIAL REVISION: DRWN: MRAMAKRISHNA 2016/07/25 APPR: ISHWARG 2016/08/02 DRAFT WHERE APPLICABLE MUST REMAIN WITHIN DIMENSIONS THIRD ANGLE PROJECTION DRAWING SERIES MATERIAL NUMBER CUSTOMER SHEET NUMBER SEE TABLE GENERAL MARKET 1 OF 3	THIS DRAWING CONTAINS INFORMATION THAT IS PROPRIETARY TO MOLEX ELECTRONIC TECHNOLOGIES, LLC AND SHOULD NOT BE USED WITHOUT WRITTEN PERMISSION DIMENSION UNITS: <b>mm</b> SCALE: <b>NTS</b> GENERAL TOLERANCES (UNLESS SPECIFIED): 4 PLACES ± 3 PLACES ± 2 PLACES ± 0.2 1 PLACE ± ANGULAR TOL ± 3.0°	<b>molex</b> CUSTOM HEADER 1.27MM PITCH DUAL ROW HEADER, SINGLE WAFER, SMT PRODUCT CUSTOMER DRAWING DOCUMENT NUMBER: <b>SD-151159-0001</b> DOC TYPE: PSD DOC PART: 000 REVISION: A
	DIMENSION UNITS: <b>mm</b> SCALE: <b>NTS</b> GENERAL TOLERANCES (UNLESS SPECIFIED): 4 PLACES ± 3 PLACES ± 2 PLACES ± 0.2 1 PLACE ± ANGULAR TOL ± 3.0° DRAFT WHERE APPLICABLE MUST REMAIN WITHIN DIMENSIONS THIRD ANGLE PROJECTION DRAWING SERIES: <b>A3-SIZE 151159</b> MATERIAL NUMBER: <b>SEE TABLE</b> CUSTOMER: <b>GENERAL MARKET</b> SHEET NUMBER: <b>1 OF 3</b>	<b>molex</b> CUSTOM HEADER 1.27MM PITCH DUAL ROW HEADER, SINGLE WAFER, SMT PRODUCT CUSTOMER DRAWING DOCUMENT NUMBER: <b>SD-151159-0001</b> DOC TYPE: PSD DOC PART: 000 REVISION: A

# CIRCUITS POSITION CONFIGURATION



# PART WITHOUT PEG AND CAP VERSION



## NOTES:

1. MATERIAL:  
HSG: LCP, GLASS-FILLED, UL94V-0, COLOR: BLACK  
CAP: NYLON, GLASS-FILLED, UL94V-0, COLOR: BLACK  
PIN: 0.40MM SQ, COPPER ALLOY
2. PLATING TYPE:
  - (1) GOLD FLASH OVER  
1.25µm MIN. NICKEL OVERALL.
  - (2) GOLD FLASH ON CONTACT AND  
2.50µm MIN. TIN ON SOLDER TAIL OVER  
1.25µm MIN. NICKEL OVERALL.
  - (3) 0.38µm MIN. GOLD PLATE ON CONTACT AND  
2.00µm MIN. TIN ON SOLDER TAIL OVER  
1.25µm MIN. NICKEL OVERALL.
  - (4) 0.76µm MIN. GOLD PLATE ON CONTACT AND  
2.00µm MIN. TIN ON SOLDER TAIL OVER  
1.25µm MIN. NICKEL OVERALL.
  - (5) 2.50µm MIN. TIN OVERALL  
1.25µm MIN. NICKEL OVERALL
3. PACKAGING TYPE: SEE TABLE
4. PCB THICKNESS 1.60+/-0.10mm
5. PRODUCT SPECIFICATION: PS-87933-001
6. BEND DEPRESSION IS ACCEPTED SO LONG AS IT DOES NOT AFFECT THE OVERALL COPLANARITY OF TAIL
7. COPLANARITY IS TO BE MEASURED BY RESTING THE SOLDER TAIL ON A FLAT SURFACE
8. CAP POSITION TO BE LOCATED AT THE CENTER OF DIMENSION (A) REGARDLESS OF CIRCUIT SIZE  
TOP SURFACE OF CAP TO BE FLAT FOR THE PURPOSE OF PICK & PLACE BY VACUUM SUCTION NOZZLE
9. IRREGULAR CIRCUIT CUTOFF WITHIN BREAKAWAY SECTION IS PERMISSIBLE. CUTTING OR CHIPPING OF THE MAIN BODY IS NOT ACCEPTABLE
10. PIN PUSH OUT FORCE: 0.4Kgf IN EITHER DIRECTION
11. THE ABOVE CKT 14 IS FOR ILLUSTRATION PURPOSE ONLY
12. PACKAGING SPECIFICATION:  
T&R: PK-89990-567  
TRAY: PK-89990-568

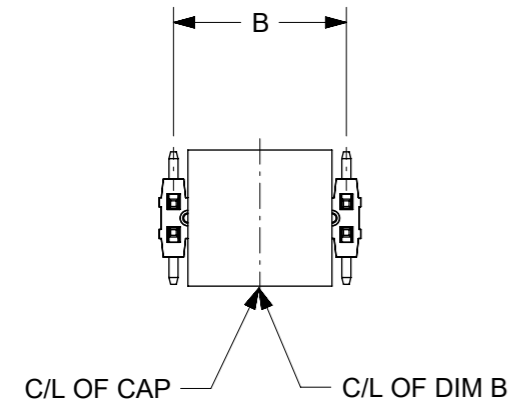
SYMBOLS	THIS DRAWING CONTAINS INFORMATION THAT IS PROPRIETARY TO MOLEX ELECTRONIC TECHNOLOGIES, LLC AND SHOULD NOT BE USED WITHOUT WRITTEN PERMISSION		CURRENT REV DESC:			
	DIMENSION UNITS	SCALE				
▽ = 0	mm	NTS			CUSTOM HEADER 1.27MM PITCH DUAL ROW HEADER, SINGLE WAFER, SMT	
▽ = 0	GENERAL TOLERANCES (UNLESS SPECIFIED)					
▽ = 0			MM	INCH	PRODUCT CUSTOMER DRAWING	
▽ = 0	4 PLACES ±	±				
▽ = 0	3 PLACES ±	±			DOCUMENT NUMBER: SD-151159-0001 DOC TYPE: PSD DOC PART: 000 REVISION: A	
▽ = 0	2 PLACES ±	0.2 ±				
▽ = 0	1 PLACE ±	±			MATERIAL NUMBER: SEE TABLE CUSTOMER: GENERAL MARKET SHEET NUMBER: 2 OF 3	
▽ = 0	0 PLACES ±	±				
▽ = 0	ANGULAR TOL ±	3.0°				
▽ = 0	DRAFT WHERE APPLICABLE MUST REMAIN WITHIN DIMENSIONS		THIRD ANGLE PROJECTION	DRAWING: A3-SIZE	SERIES: 151159	

CKT SIZE	DIMENSION		
	A	B	C
04	2.54	1.27	-
06	3.81	2.54	--
08	5.08	3.81	-
10	6.35	5.08	3.81
12	7.62	6.35	-
14	8.89	7.62	-
16	10.16	8.89	-
18	11.43	10.16	-
20	12.70	11.43	10.16
20	12.70	11.43	-
22	13.97	12.70	-
24	15.24	13.97	-
26	16.51	15.24	-
28	17.78	16.51	-
30	19.05	17.78	16.51
32	20.32	19.05	-
34	21.59	20.32	-
36	22.86	21.59	-
38	24.13	22.86	-
40	25.40	24.13	22.86
42	26.67	25.40	-
44	27.94	26.67	-
46	29.21	27.94	-
48	30.48	29.21	-
50	31.75	30.48	29.21
64	40.64	39.37	-

PART NUMBER IN PACKAGIN OPTION				CKT SIZE	PEG	PLATE OPT.	VOID POSITION	DIMENSION					
TRAY WITHOUT CAP	TAPE & REEL WITH CAP W/O PEG	TUBE WITHOUT CAP	TUBE WITH CAP					G	F	MATING END M	E	J	(K)
-	-	151159-0400	-	04	NO	1	-	-	6.51	3.00	1.00	1.92	5.10
-	151159-0600	-	-	06	NO	5	-	10.81	10.01	6.50	1.00	2.36	6.00
151159-0601	-	-	-	06	NO	1	-	-	8.31	4.80	1.00	2.36	6.00
151159-0602	-	-	-	06	NO	1	-	-	8.01	4.50	1.00	2.36	6.00
151159-0603	-	-	-	06	NO	1	-	-	8.51	5.00	1.00	2.36	6.00
-	151159-1000	-	-	10	NO	3	7	7.21	6.43	3.05	0.87	2.28	5.84
151159-1003	-	-	-	10	NO	1	-	-	8.51	5.00	1.00	2.36	6.00
-	151159-1200	-	-	12	NO	5	-	10.42	9.62	5.84	1.27	2.28	5.84
151159-1201	-	-	-	12	NO	1	-	-	18.51	15.00	1.00	1.92	5.10
151159-1401	-	-	-	14	NO	3	-	-	6.78	3.00	1.27	2.36	6.00
-	151159-1601	17	-	16	NO	1	-	7.81	6.51	3.00	1.00	4.365	10.00
151159-2000	-	-	-	20	NO	4	-	-	8.61	4.83	1.27	2.36	6.00
-	151159-2400	-	-	24	NO	5	-	13.31	12.51	9.00	1.00	2.36	6.00
151159-2401	-	-	-	24	NO	5	-	-	15.81	12.30	1.00	2.36	6.00
-	151159-6400	-	-	64	NO	1	-	7.21	5.96	3.05	0.40	2.28	5.84
-	-	151159-7800	-	78	NO	2	-	-	5.01	2.00	0.50	2.115	5.50

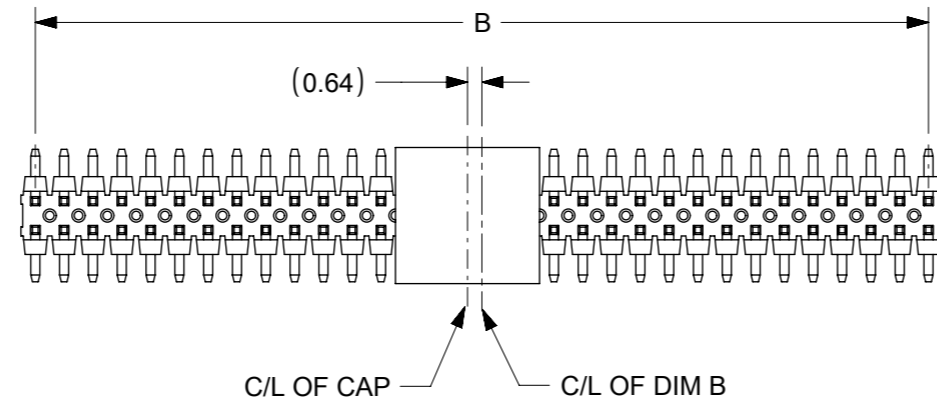
CAP POSITION ILLUSTRATION FOR REFERENCE

FOR ILLUSTRATION 14 CKT AS SHOWN



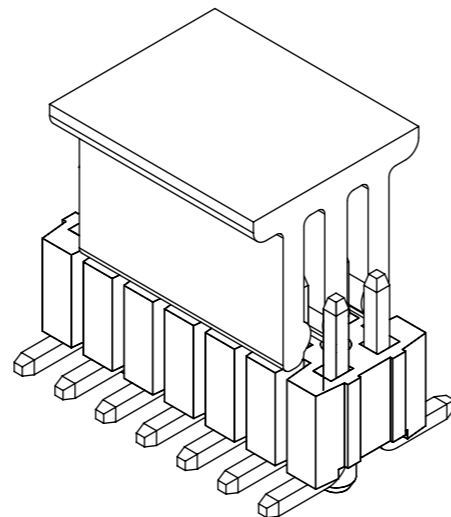
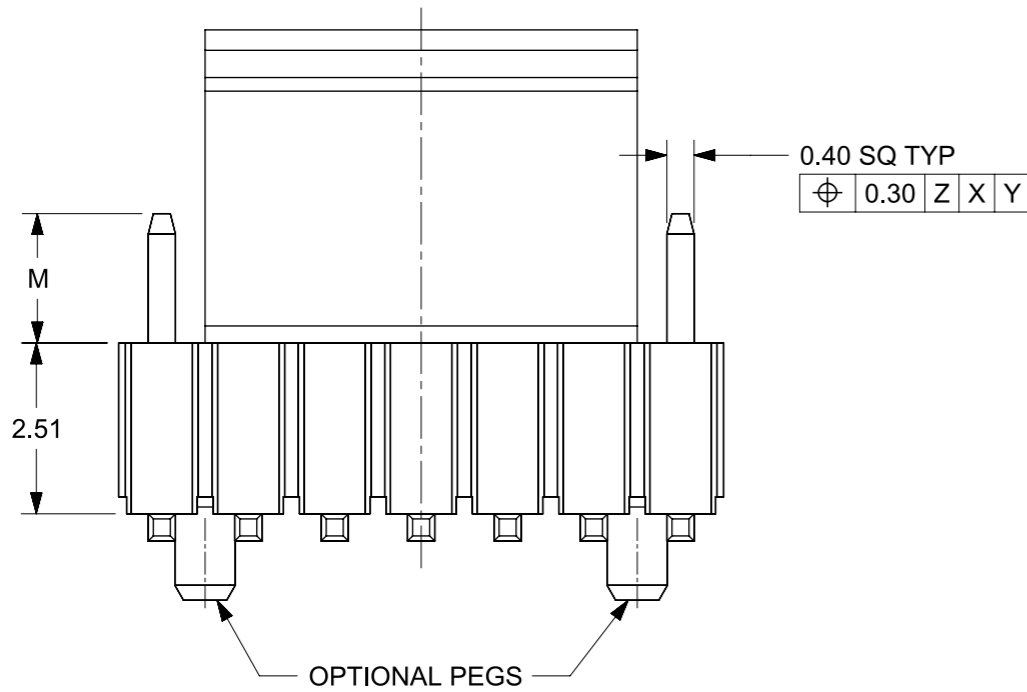
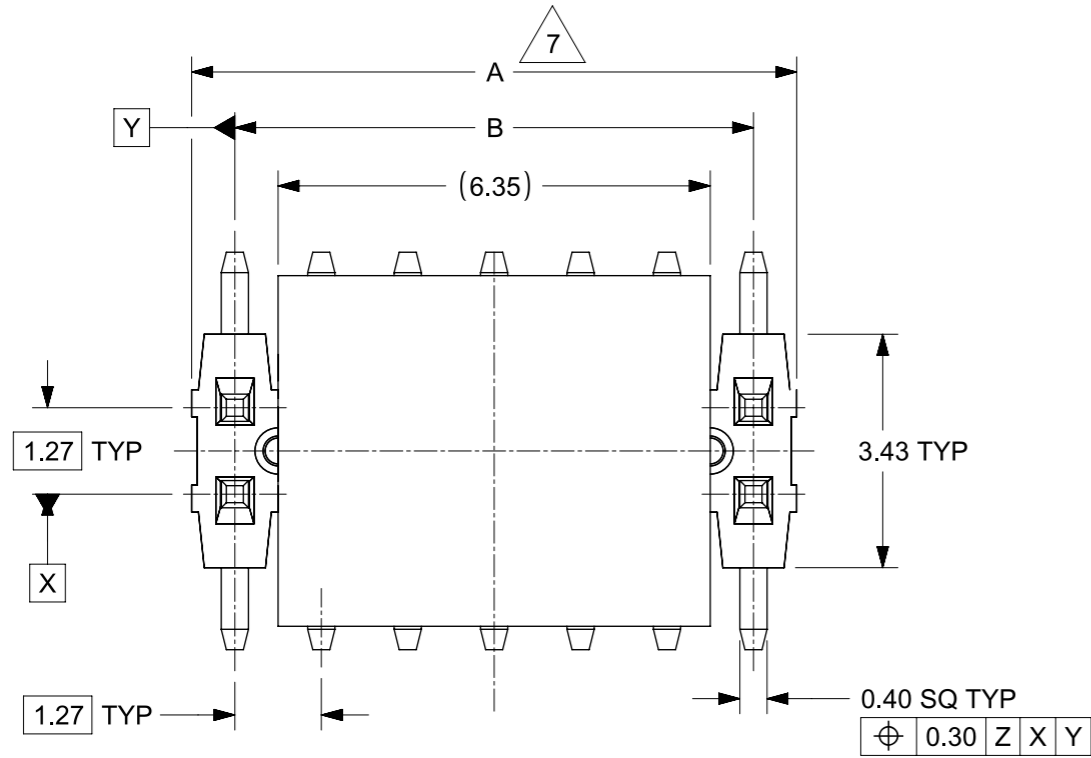
C/L OF DIM B = C/L OF CAP  
FOR ODD CKT COLUMN

FOR ILLUSTRATION 64 CKT AS SHOWN



C/L OF DIM B IS OFFSET WITH C/L OF CAP  
FOR EVEN CKT COLUMN

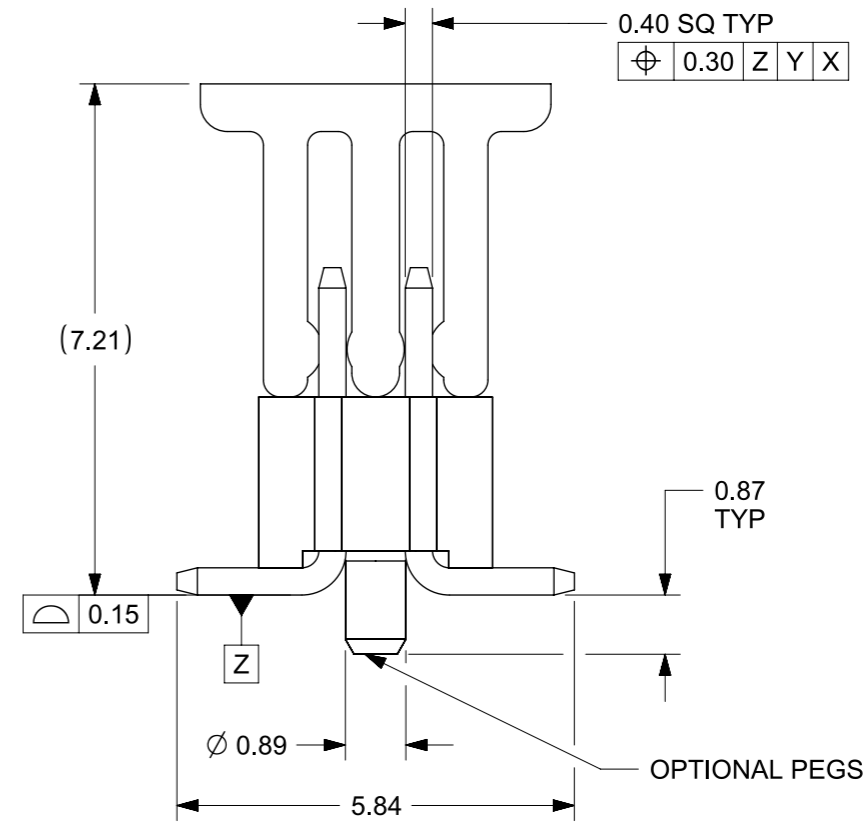
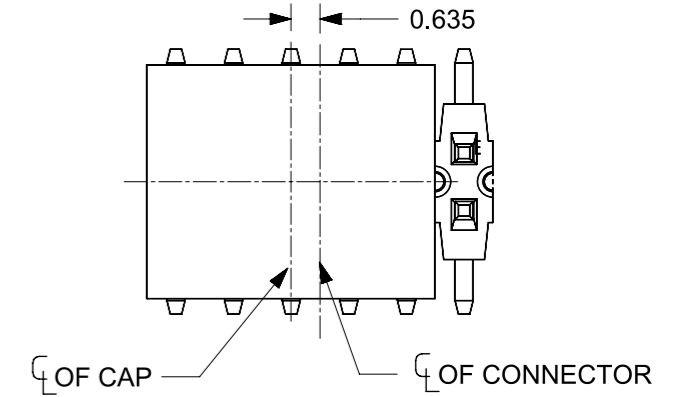
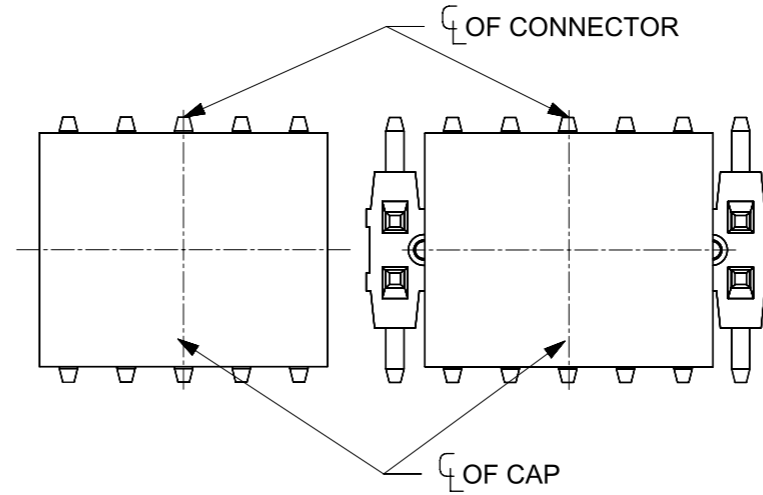
<b>SYMBOLS</b> ▽ = 0 ▽ = 0 ▽ = 0 ▽ = 0 ▽ = 0 ▽ = 0 ▽ = 0 ▽ = 0 ▽ = 0 ▽ = 0	THIS DRAWING CONTAINS INFORMATION THAT IS PROPRIETARY TO MOLEX ELECTRONIC TECHNOLOGIES, LLC AND SHOULD NOT BE USED WITHOUT WRITTEN PERMISSION		SCALE <b>mm NTS</b>		CURRENT REV DESC:					
	DIMENSION UNITS		GENERAL TOLERANCES (UNLESS SPECIFIED)		EC NO: 674911 DRWN: ABABUPS 2021/06/09 CHK'D: MRAMAKRISHNA 2021/08/23 APPR: MRAMAKRISHNA 2021/08/23				CUSTOMER DRAWING 1.27MM PITCH DUAL ROW HEADER, SINGLE WAFER, SMT	
	4 PLACES ± 3 PLACES ± 2 PLACES ± 0.2 ± 1 PLACE ±		MM INCH ANGULAR TOL ± 3.0°		INITIAL REVISION: DRWN: MRAMAKRISHNA 2016/07/25 APPR: ISHWARG 2016/08/02		DOCUMENT NUMBER <b>SD-151159-0001</b>		DOC TYPE DOC PART REVISION PSD 000 A	
	DRAFT WHERE APPLICABLE MUST REMAIN WITHIN DIMENSIONS		THIRD ANGLE PROJECTION		DRAWING SERIES <b>A3-SIZE 151159</b>		MATERIAL NUMBER CUSTOMER SEE TABLE GENERAL MARKET		SHEET NUMBER 3 OF 3	



6 CAP POSITION WITH RESPECT TO CONNECTOR

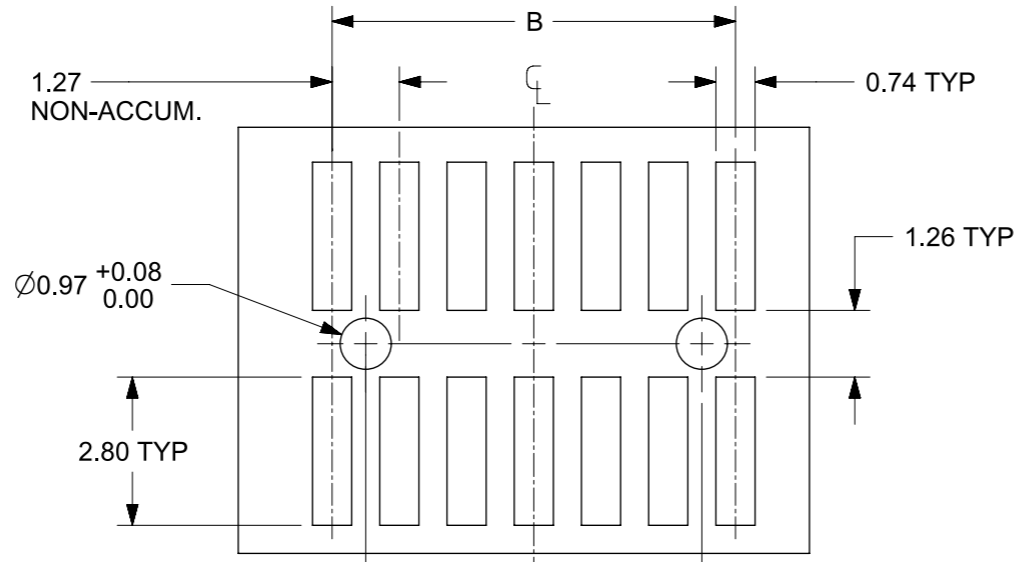
FOR CKT 10 & BELOW & CKT 14, 18, 22, 26, 30,  
34, 38, 42, 46, 50, 54, 58, 62, 66, 70, 74, 78, 82,  
86, 90, 94, 98

FOR 12, 16, 20, 24, 28, 32, 36, 40, 44, 48, 52,  
56, 60, 64, 68, 72, 76, 80, 84, 86, 92, 96, 100

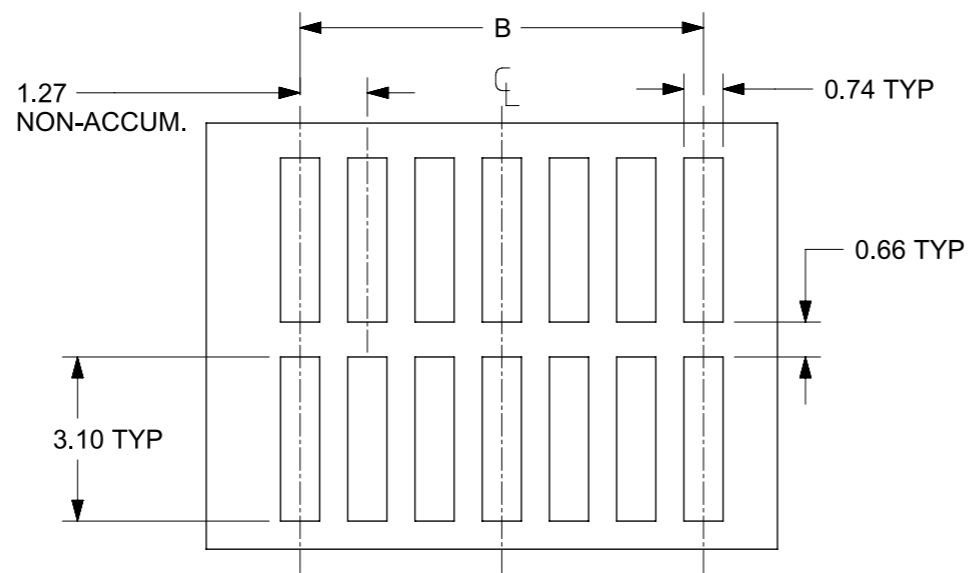


THIS DRAWING CONTAINS INFORMATION THAT IS PROPRIETARY TO MOLEX ELECTRONIC TECHNOLOGIES, LLC AND SHOULD NOT BE USED WITHOUT WRITTEN PERMISSION		CURRENT REV DESC:		<b>molex</b>	
DIMENSION UNITS	SCALE				
mm	NTS			1.27MM PITCH SMT HEADER WITH CAP PACKED IN TUBE	
GENERAL TOLERANCES (UNLESS SPECIFIED)				PRODUCT CUSTOMER DRAWING	
ANGULAR TOL ± 3.0°				DOCUMENT NUMBER	
4 PLACES ±		EC NO: 743277		SD-87933-0001	
3 PLACES ±		DRWN: DANUSA	2022/11/18	DOC TYPE	DOC PART
2 PLACES ±	0.2	CHK'D: SUAIFR	2023/03/22	PSD	000
1 PLACE ±		APPR: MRAMAKRISHNA	2023/03/23	REVISION	
0 PLACES ±		INITIAL REVISION:		C5	
DRAFT WHERE APPLICABLE MUST REMAIN WITHIN DIMENSIONS		DRWN: SCHEONG	2016/09/14	SHEET NUMBER	
THIRD ANGLE PROJECTION		APPR: SCHEONG	2016/11/10	SEE TABLE	1 OF 6
		DRAWING	SERIES	CUSTOMER	
		A3-SIZE	87933	GENERAL MARKET	

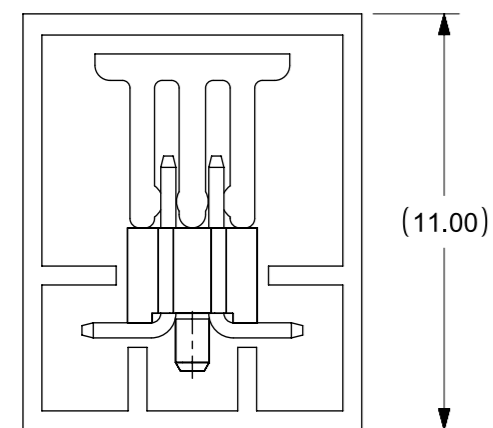
CKT SIZE	DIM A	DIM B	DIM C
4	2.54	1.27	-
6	3.81	2.54	-
8	5.08	3.81	-
10	6.35	5.08	3.81
12	7.62	6.35	-
14	8.89	7.62	-
16	10.16	8.89	-
18	11.43	10.16	-
20	12.70	11.43	10.16
22	13.97	12.70	-
24	15.24	13.97	-



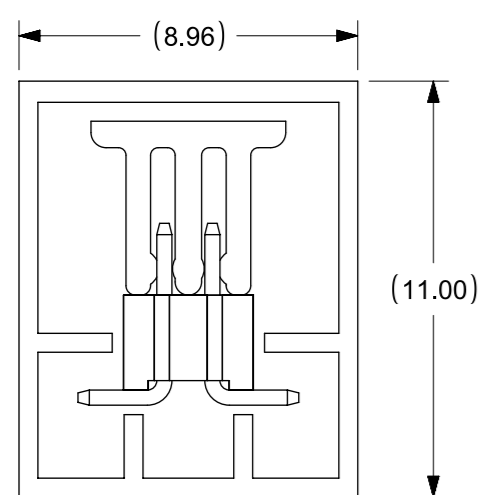
RECOMMENDED PCB LAYOUT  
(PARTS WITH PEGS)  
MANUFACTURING TOLERANCE ±0.05



RECOMMENDED PCB LAYOUT  
(IMPROVED FOR WITHOUT PEGS OPTION)  
MANUFACTURING TOLERANCE ±0.05



PART WITH PEG & CAP  
PACKED IN TUBE



PART WITHOUT PEG &  
WITH CAP PACKED IN TUBE


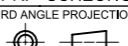
NOTE:

- MATERIAL: HOUSING: LCP GLASS FILLED, COLOR: BLACK  
TERMINAL: COPPER ALLOY
- PIN PUSHOUT FORCE: 0.4KG MIN. IN EITHER DIRECTION.
- PLATING FINISH:
  - 2 MICRO INCH MIN. GOLD FLASH OVERALL, 50 MICRO INCH MIN. NICKEL UNDERPLATED
  - 100 MICRO INCH MIN. TIN OVERALL, 50 MICRO INCH MIN. NICKEL UNDERPLATED
  - 30 MICRO INCH MIN. GOLD PLATE IN SELECTED AREA AND 80 MICRO INCH MIN. TIN IN SELECTED AREA OVER, 50 MICRO INCH MIN. NICKEL UNDERPLATED
  - 15 MICRO INCH MIN. GOLD PLATE IN SELECTED AREA AND 80 MICRO INCH MIN. TIN IN SELECTED AREA OVER, 50 MICRO INCH MIN. NICKEL UNDERPLATED
  - 2 MICRO INCH MIN. GOLD FLASH IN SELECTED AREA AND 100 MICRO INCH MIN. TIN IN SELECTED AREA OVER, 50 MICRO INCH MIN. NICKEL UNDERPLATED
- THE ABOVE 14 CKT SHOWN IS FOR ILLUSTRATION ONLY.
- PARTS TO BE PACKED IN TUBE EXCEPT FOR 4 CKTS.
- POSITION OF CAP TO BE LOCATED AS SHOWN.
- IRREGULAR CIRCUIT CUTOFF WITHIN BREAKAWAY SECTION IS PERMISSIBLE. CUTTING OR CHIPPING OF THE MAIN BODY IS NOT ACCEPTABLE.
- PACKAGING SPECIFICATION REFER TO  
TUBE : PK-89990-565  
TAPE & REEL : PK-87933-300
- PRODUCT SPECIFICATION: 879330001\_PS
- MATED SERIES: 78120 EXCEPT FOR FULL TIN PLATING FINISH
- PARTS CONFORMS TO CLASS "B" REQUIREMENT TO COSMETIC SPECIFICATION PS-45499-002

THIS DRAWING CONTAINS INFORMATION THAT IS PROPRIETARY TO MOLEX ELECTRONIC TECHNOLOGIES, LLC AND SHOULD NOT BE USED WITHOUT WRITTEN PERMISSION									
DIMENSION UNITS		SCALE		CURRENT REV DESC:				<b>molex</b>	
mm		NTS							
GENERAL TOLERANCES (UNLESS SPECIFIED)								1.27MM PITCH SMT HEADER WITH CAP PACKED IN TUBE	
ANGULAR TOL ± 3.0°								PRODUCT CUSTOMER DRAWING	
4 PLACES ±				EC NO: 743277				DOCUMENT NUMBER	
3 PLACES ±				DRWN: DANUSA		2022/11/18		DOC TYPE	
2 PLACES ±		0.2		CHK'D: SUAIFR		2023/03/22		DOC PART	
1 PLACE ±				APPR: MRAMAKRISHNA		2023/03/23		REVISION	
0 PLACES ±				INITIAL REVISION:				SD-87933-0001	
				DRWN: SCHEONG		2016/09/14		PSD	
				APPR: SCHEONG		2016/11/10		000	
DRAFT WHERE APPLICABLE MUST REMAIN WITHIN DIMENSIONS		THIRD ANGLE PROJECTION		DRAWING		SERIES		MATERIAL NUMBER	
				A3-SIZE		87933		CUSTOMER	
								GENERAL MARKET	
								SHEET NUMBER	
								2 OF 6	

10		9		8		7		6		5		4		3		2		1	
P/N WITH CAP PACKED IN T&R	TOOLED	NOT TOOLED	P/N WITH CAP PACKED IN TUBE	PEG	CKT SIZE	PLATING OPTIONS	DIM. M	P/N WITH CAP PACKED IN T&R	TOOLED	NOT TOOLED	P/N WITH CAP PACKED IN TUBE	P/N WITHOUT CAP PACKED IN T&R	PEG	CKT SIZE	PLATING OPTIONS	DIM. M			
F	87933-0422		X	-	N	04	1	1.65			X	87933-0818		-	N	08	4	3.05	
	87933-0438		X	-	N	04	2	1.65			X	87933-0823		-	N	08	5	3.05	
	87933-0439		X	-	N	04	3	1.65			X	87933-1007		-	N	10	1	1.65	
	87933-0440		X	-	N	04	4	1.65			X	87933-1008		-	N	10	2	1.65	
	87933-0446		X	-	N	04	5	1.65			X	87933-1009		-	N	10	3	1.65	
	87933-0441		X	-	N	04	1	1.91			X	87933-1010		-	N	10	4	1.65	
	87933-0442		X	-	N	04	2	1.91			X	87933-1045		-	N	10	5	1.65	
	87933-0443		X	-	N	04	3	1.91			X	87933-1011		-	N	10	1	1.91	
E	87933-0444		X	-	N	04	4	1.91			X	87933-1012		-	N	10	2	1.91	
	87933-0448		X	-	N	04	5	1.91			X	87933-1013		-	N	10	3	1.91	
	87933-0425		X	-	N	04	1	3.05			X	87933-1014		-	N	10	4	1.91	
	87933-0426		X	-	N	04	2	3.05			X	87933-1047		-	N	10	5	1.91	
	87933-0427		X	-	N	04	3	3.05			X	87933-1015		-	N	10	1	3.05	
	87933-0428		X	-	N	04	4	3.05			X	87933-1016		-	N	10	2	3.05	
	87933-0424		X	-	N	04	5	3.05			X	87933-1017		-	N	10	3	3.05	
	87933-0622	X		87933-0607	N	06	1	1.65			X	87933-1018	C5	87933-1058	N	10	4	3.05	
D	87933-0638	X		87933-0608	N	06	2	1.65			X	87933-1023		-	N	10	5	3.05	
	87933-0639	X		87933-0609	N	06	3	1.65				X	87933-1252		-	N	12	1	1.65
	87933-0640	X		87933-0610	N	06	4	1.65				X	87933-1258		-	N	12	2	1.65
	87933-0646	X		87933-0645	N	06	5	1.65				X	87933-1259		-	N	12	3	1.65
	87933-0641	X		87933-0611	N	06	1	1.91				X	87933-1260		-	N	12	4	1.65
	87933-0642	X		87933-0612	N	06	2	1.91				X	87933-1245		-	N	12	5	1.65
	87933-0643	X		87933-0613	N	06	3	1.91				X	87933-1261		-	N	12	1	1.91
	87933-0644	X		87933-0614	N	06	4	1.91				X	87933-1262		-	N	12	2	1.91
C	87933-0648	X		87933-0647	N	06	5	1.91				X	87933-1263		-	N	12	3	1.91
	87933-0625	X		87933-0615	N	06	1	3.05				X	87933-1264		-	N	12	4	1.91
	87933-0626	X		87933-0616	N	06	2	3.05				X	87933-1247		-	N	12	5	1.91
	87933-0627	X		87933-0617	N	06	3	3.05				X	87933-1219		-	N	12	1	3.05
	87933-0628	X		87933-0618	N	06	4	3.05				X	87933-1220		-	N	12	2	3.05
	87933-0624	X		87933-0623	N	06	5	3.05				X	87933-1221		-	N	12	3	3.05
	87933-0822		X	87933-0807	N	08	1	1.65				X	87933-1222		-	N	12	4	3.05
	87933-0838		X	87933-0808	N	08	2	1.65				X	87933-1223		-	N	12	5	3.05
	87933-0839		X	87933-0809	N	08	3	1.65											
B	87933-0840		X	87933-0810	N	08	4	1.65											
	87933-0846		X	87933-0845	N	08	5	1.65											
	87933-0841		X	87933-0811	N	08	1	1.91											
	87933-0842		X	87933-0812	N	08	2	1.91											
	87933-0843		X	87933-0813	N	08	3	1.91											
	87933-0844		X	87933-0814	N	08	4	1.91											
	87933-0848		X	87933-0847	N	08	5	1.91											
	87933-0825		X	87933-0815	N	08	1	3.05											
A	87933-0826		X	87933-0816	N	08	2	3.05											
	87933-0827		X	87933-0817	N	08	3	3.05											


THIS DRAWING CONTAINS INFORMATION THAT IS PROPRIETARY TO MOLEX ELECTRONIC TECHNOLOGIES, LLC AND SHOULD NOT BE USED WITHOUT WRITTEN PERMISSION															
DIMENSION UNITS		SCALE		CURRENT REV DESC:											
mm		NTS		 1.27MM PITCH SMT HEADER WITH CAP PACKED IN TUBE											
GENERAL TOLERANCES (UNLESS SPECIFIED)															
ANGULAR TOL ± 3.0°															
4 PLACES ±		EC NO: 743277													
3 PLACES ±		DRWN: DANUSA 2022/11/18													
2 PLACES ± 0.2		CHK'D: SUAIFR 2023/03/22													
1 PLACE ±		APPR: MRAMAKRISHNA 2023/03/23													
0 PLACES ±		INITIAL REVISION:													
DRAFT WHERE APPLICABLE MUST REMAIN WITHIN DIMENSIONS		THIRD ANGLE PROJECTION		DRAWING		SERIES		DOCUMENT NUMBER		DOC TYPE		DOC PART		REVISION	
				A3-SIZE		87933		SD-87933-0001		PSD		000		C5	
				SEE TABLE		GENERAL MARKET								3 OF 6	

DOCUMENT STATUS	P1	RELEASE DATE	2023/03/23	05:13:54
-----------------	----	--------------	------------	----------

	10	9	8	7	6			
	P/N WITH CAP PACKED IN T&R	TOOLED	NOT TOOLED	P/N WITH CAP PACKED IN TUBE	PEG	CKT SIZE	PLATING OPTIONS	DIM. M
F	87933-1422		X	87933-1407	N	14	1	1.65
	87933-1438		X	87933-1408	N	14	2	1.65
	87933-1439		X	87933-1409	N	14	3	1.65
	87933-1440		X	87933-1410	N	14	4	1.65
	87933-1446		X	87933-1445	N	14	5	1.65
	87933-1441		X	87933-1411	N	14	1	1.91
	87933-1442		X	87933-1412	N	14	2	1.91
	87933-1443		X	87933-1413	N	14	3	1.91
E	87933-1444		X	87933-1414	N	14	4	1.91
	87933-1448		X	87933-1447	N	14	5	1.91
	87933-1425		X	87933-1415	N	14	1	3.05
	87933-1426		X	87933-1416	N	14	2	3.05
	87933-1427		X	87933-1417	N	14	3	3.05
	87933-1428		X	87933-1418	N	14	4	3.05
	87933-1424		X	87933-1423	N	14	5	3.05
	87933-1622		X	87933-1607	N	16	1	1.65
D	87933-1638		X	87933-1608	N	16	2	1.65
	87933-1639		X	87933-1609	N	16	3	1.65
	87933-1640		X	87933-1610	N	16	4	1.65
	87933-1646		X	87933-1645	N	16	5	1.65
	87933-1641		X	87933-1611	N	16	1	1.91
	87933-1642		X	87933-1612	N	16	2	1.91
	87933-1643		X	87933-1613	N	16	3	1.91
	87933-1644		X	87933-1614	N	16	4	1.91
	87933-1648		X	87933-1647	N	16	5	1.91
C	87933-1625		X	87933-1615	N	16	1	3.05
	87933-1626		X	87933-1616	N	16	2	3.05
	87933-1627		X	87933-1617	N	16	3	3.05
	87933-1628		X	87933-1618	N	16	4	3.05
	87933-1624		X	87933-1623	N	16	5	3.05
	87933-1822		X	87933-1807	N	18	1	1.65
	87933-1838		X	87933-1808	N	18	2	1.65
	87933-1839		X	87933-1809	N	18	3	1.65
B	87933-1840		X	87933-1810	N	18	4	1.65
	87933-1846		X	87933-1845	N	18	5	1.65
	87933-1841		X	87933-1811	N	18	1	1.91
	87933-1842		X	87933-1812	N	18	2	1.91
	87933-1843		X	87933-1813	N	18	3	1.91
	87933-1844		X	87933-1814	N	18	4	1.91
	87933-1848		X	87933-1847	N	18	5	1.91
	87933-1825		X	87933-1815	N	18	1	3.05
A	87933-1826		X	87933-1816	N	18	2	3.05
	87933-1827		X	87933-1817	N	18	3	3.05

	5	4	3	2	1			
	P/N WITH CAP PACKED IN T&R	TOOLED	NOT TOOLED	P/N WITH CAP PACKED IN TUBE	PEG	CKT SIZE	PLATING OPTIONS	DIM. M
	87933-1828	X		87933-1818	N	18	4	3.05
	87933-1824	X		87933-1823	N	18	5	3.05
	87933-2037	X		87933-2007	N	20	1	1.65
	87933-2038	X		87933-2008	N	20	2	1.65
	87933-2039	X		87933-2009	N	20	3	1.65
	87933-2040	X		87933-2010	N	20	4	1.65
	87933-2046	X		87933-2045	N	20	5	1.65
	87933-2041	X		87933-2011	N	20	1	1.91
	87933-2042	X		87933-2012	N	20	2	1.91
	87933-2043	X		87933-2013	N	20	3	1.91
	87933-2044	X		87933-2014	N	20	4	1.91
	87933-2048	X		87933-2047	N	20	5	1.91
	87933-2025	X		87933-2015	N	20	1	3.05
	87933-2026	X		87933-2016	N	20	2	3.05
	87933-2027	X		87933-2017	N	20	3	3.05
	87933-2021	X		87933-2018	N	20	4	3.05
	87933-2024	X		87933-2023	N	20	5	3.05
	87933-2237		X	87933-2207	N	22	1	1.65
	87933-2238		X	87933-2208	N	22	2	1.65
	87933-2239		X	87933-2209	N	22	3	1.65
	87933-2240		X	87933-2210	N	22	4	1.65
	87933-2246		X	87933-2245	N	22	5	1.65
	87933-2241		X	87933-2211	N	22	1	1.91
	87933-2242		X	87933-2212	N	22	2	1.91
	87933-2243		X	87933-2213	N	22	3	1.91
	87933-2244		X	87933-2214	N	22	4	1.91
	87933-2248		X	87933-2247	N	22	5	1.91
	87933-2225		X	87933-2215	N	22	1	3.05
	87933-2226		X	87933-2216	N	22	2	3.05
	87933-2227		X	87933-2217	N	22	3	3.05
	87933-2228		X	87933-2218	N	22	4	3.05
	87933-2224		X	87933-2223	N	22	5	3.05

THIS DRAWING CONTAINS INFORMATION THAT IS PROPRIETARY TO MOLEX ELECTRONIC TECHNOLOGIES, LLC AND SHOULD NOT BE USED WITHOUT WRITTEN PERMISSION									
DIMENSION UNITS		SCALE		CURRENT REV DESC:					
mm		NTS		 <p>1.27MM PITCH SMT HEADER WITH CAP PACKED IN TUBE</p> <p>PRODUCT CUSTOMER DRAWING</p> <p>EC NO: 743277  DRWN: DANUSA 2022/11/18  CHK'D: SUAIFR 2023/03/22  APPR: MRAMAKRISHNA 2023/03/23</p> <p>INITIAL REVISION:  DRWN: SCHEONG 2016/09/14  APPR: SCHEONG 2016/11/10</p> <p>DOCUMENT NUMBER: SD-87933-0001  DOC TYPE: PSD  DOC PART: 000  REVISION: C5</p> <p>DRAFT WHERE APPLICABLE MUST REMAIN WITHIN DIMENSIONS  THIRD ANGLE PROJECTION  DRAWING: A3-SIZE  SERIES: 87933  MATERIAL NUMBER: SEE TABLE  CUSTOMER: GENERAL MARKET  SHEET NUMBER: 4 OF 6</p>					
GENERAL TOLERANCES (UNLESS SPECIFIED)									
ANGULAR TOL ± 3.0°									
4 PLACES ±									
3 PLACES ±									
2 PLACES ± 0.2									
1 PLACE ±									
0 PLACES ±									

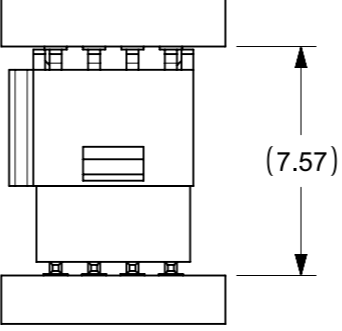
	10	9	8	7	6	5	4	3	2	1
	P/N WITH CAP PACKED IN T&R	TOOLED	NOT TOOLED	P/N WITH CAP PACKED IN TUBE	PEG	CKT SIZE	PLATING OPTIONS	DIM. M		
F	87933-2437		X	87933-2407	N	24	1	1.65		
	87933-2438		X	87933-2408	N	24	2	1.65		
	87933-2439		X	87933-2409	N	24	3	1.65		
	87933-2440		X	87933-2410	N	24	4	1.65		
	87933-2446		X	87933-2445	N	24	5	1.65		
	87933-2441		X	87933-2411	N	24	1	1.91		
	87933-2442		X	87933-2412	N	22	2	1.91		
	87933-2443		X	87933-2413	N	24	3	1.91		
E	87933-2444		X	87933-2414	N	24	4	1.91		
	87933-2448		X	87933-2447	N	24	5	1.91		
	87933-2425		X	87933-2415	N	24	1	3.05		
	87933-2426		X	87933-2416	N	24	2	3.05		
	87933-2427		X	87933-2417	N	24	3	3.05		
	87933-2428		X	87933-2418	N	24	4	3.05		
	87933-2424		X	87933-2423	N	24	5	3.05		


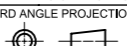
THIS DRAWING CONTAINS INFORMATION THAT IS PROPRIETARY TO MOLEX ELECTRONIC TECHNOLOGIES, LLC AND SHOULD NOT BE USED WITHOUT WRITTEN PERMISSION									
DIMENSION UNITS		SCALE		CURRENT REV DESC:				<b>molex</b>	
mm		NTS							
GENERAL TOLERANCES (UNLESS SPECIFIED)				EC NO: 743277 DRWN: DANUSA 2022/11/18 CHK'D: SUAIFR 2023/03/22 APPR: MRAMAKRISHNA 2023/03/23				1.27MM PITCH SMT HEADER WITH CAP PACKED IN TUBE	
ANGULAR TOL ± 3.0 °									
4 PLACES		±		INITIAL REVISION: DRWN: SCHEONG 2016/09/14 APPR: SCHEONG 2016/11/10				PRODUCT CUSTOMER DRAWING	
3 PLACES		±							
2 PLACES		± 0.2		DOCUMENT NUMBER <b>SD-87933-0001</b>				DOC TYPE PSD	
1 PLACE		±							
0 PLACES		±		MATERIAL NUMBER SEE TABLE				DOC PART 000	
DRAFT WHERE APPLICABLE MUST REMAIN WITHIN DIMENSIONS									
THIRD ANGLE PROJECTION		DRAWING		SERIES		CUSTOMER		REVISION	
		A3-SIZE		87933		GENERAL MARKET		C5	
SHEET NUMBER		5 OF 6							

DOCUMENT STATUS	P1	RELEASE DATE	2023/03/23	05:13:54
-----------------	----	--------------	------------	----------

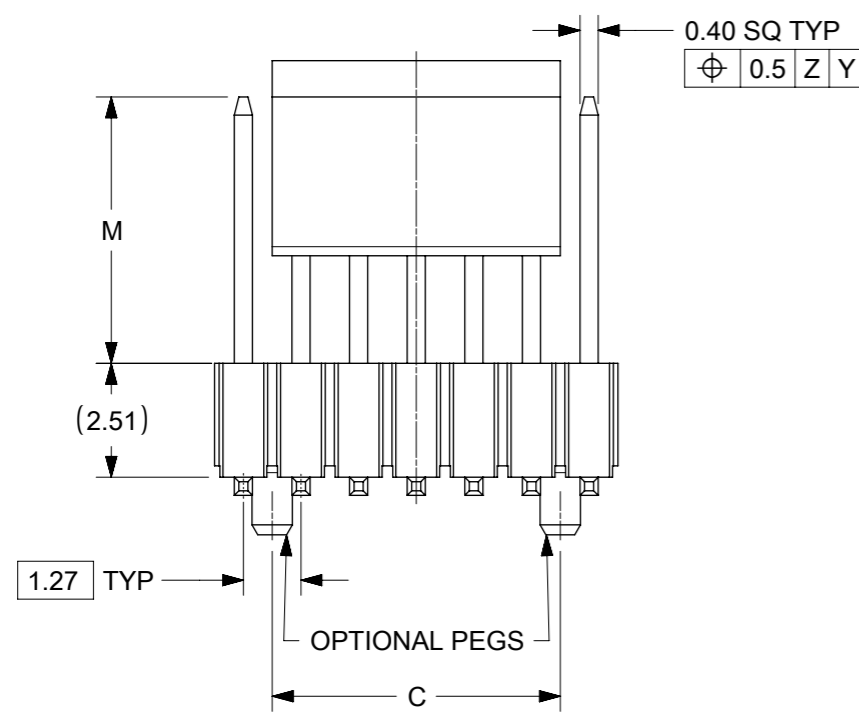
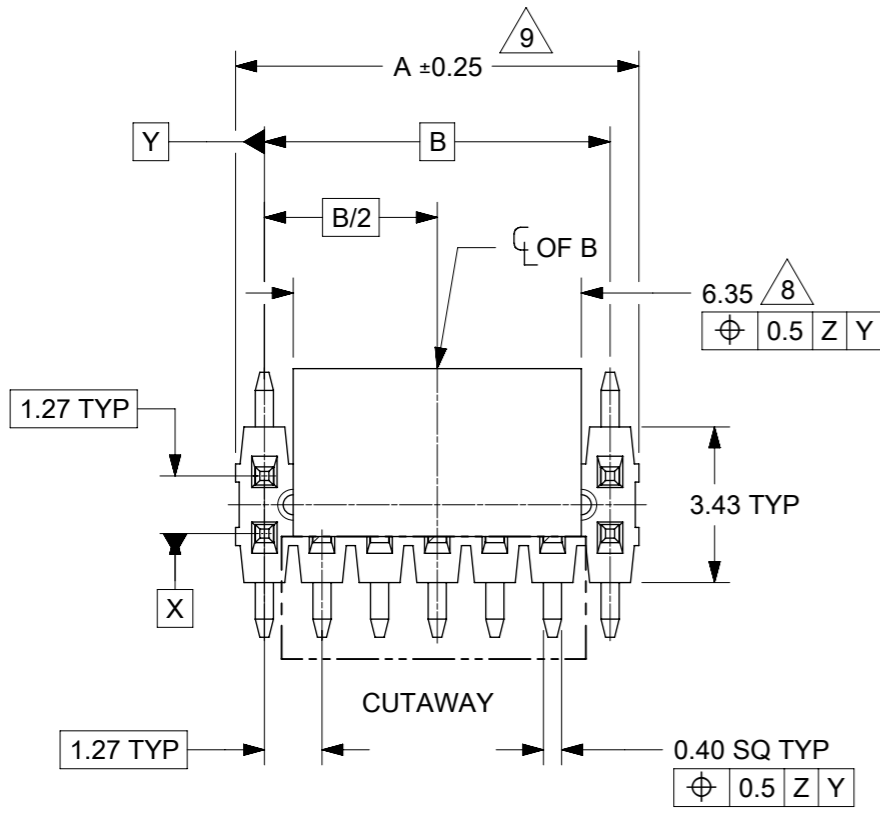


BOARD TO BOARD (BTB) DISTANCE

HEADER	MATES WITH (RECEPTACLE)	BTB DIST.	PICTORIAL VIEW
87933	78120	7.57	

THIS DRAWING CONTAINS INFORMATION THAT IS PROPRIETARY TO MOLEX ELECTRONIC TECHNOLOGIES, LLC AND SHOULD NOT BE USED WITHOUT WRITTEN PERMISSION											
DIMENSION UNITS	SCALE	CURRENT REV DESC:									
mm	NTS										
GENERAL TOLERANCES (UNLESS SPECIFIED)		EC NO: 743277 DRWN: DANUSA 2022/11/18 CHK'D: SUAIFR 2023/03/22 APPR: MRAMAKRISHNA 2023/03/23				1.27MM PITCH SMT HEADER WITH CAP PACKED IN TUBE					
ANGULAR TOL	± 3.0 °					PRODUCT CUSTOMER DRAWING					
4 PLACES	±					INITIAL REVISION:		DOCUMENT NUMBER	DOC TYPE	DOC PART	REVISION
3 PLACES	±					DRWN: SCHEONG 2016/09/14	2016/11/10	SD-87933-0001	PSD	000	C5
2 PLACES	± 0.2					APPR: SCHEONG 2016/11/10					
1 PLACE	±	THIRD ANGLE PROJECTION		DRAWING	SERIES	MATERIAL NUMBER	CUSTOMER	SHEET NUMBER			
0 PLACES	±			A3-SIZE	87933	SEE TABLE	GENERAL MARKET	6 OF 6			
DRAFT WHERE APPLICABLE MUST REMAIN WITHIN DIMENSIONS											

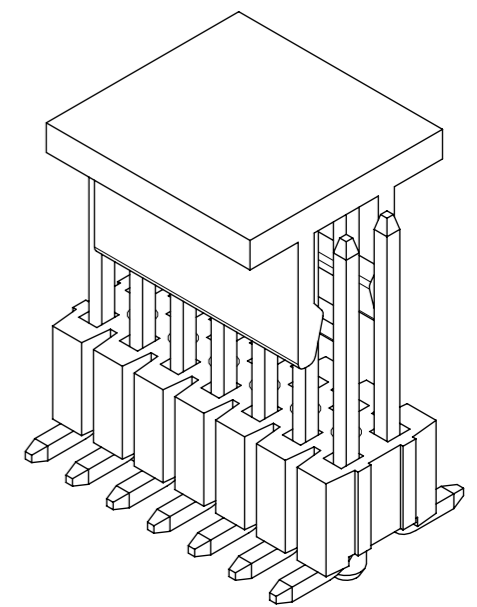
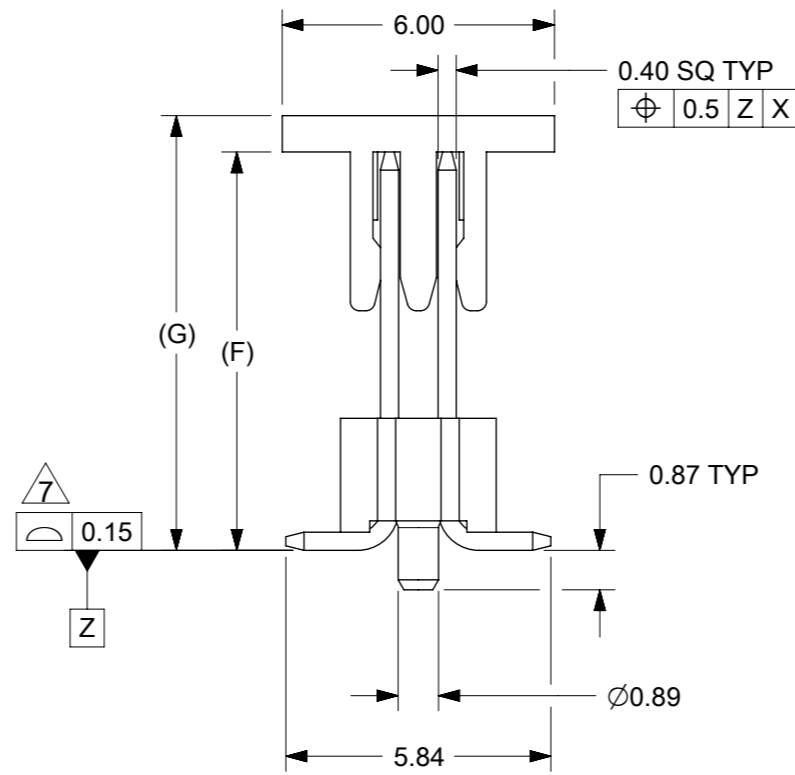
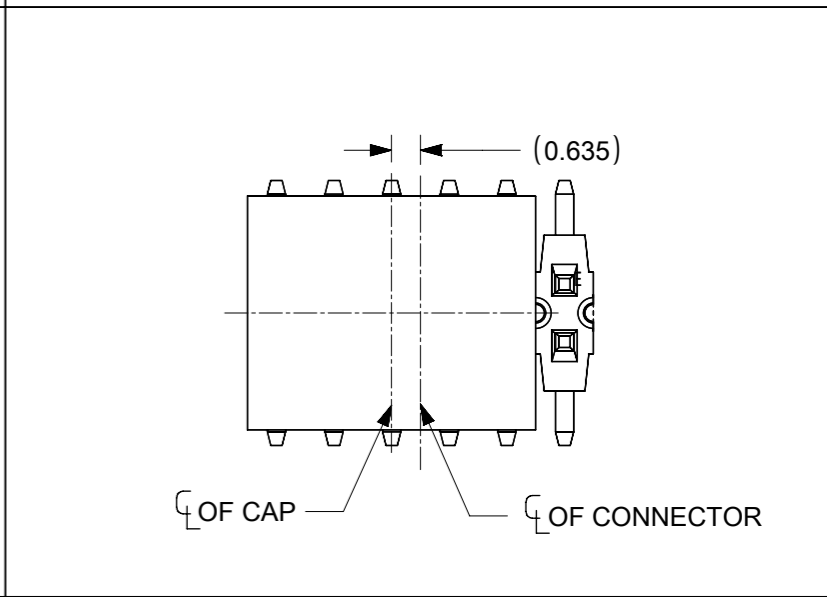
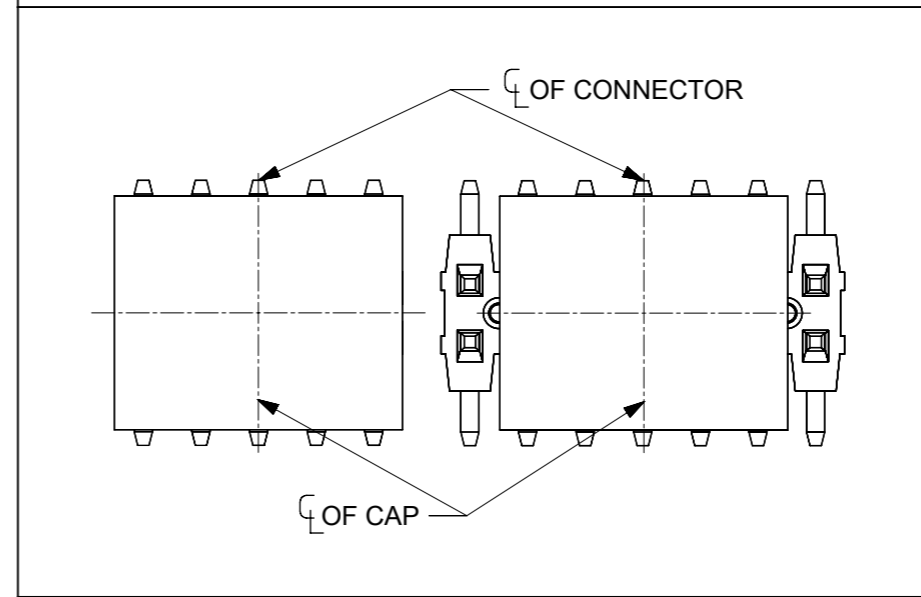
DOCUMENT STATUS	P1	RELEASE DATE	2023/03/23 05:13:54
-----------------	----	--------------	---------------------



**8 CAP POSITION WITH RESPECT TO CONNECTOR**

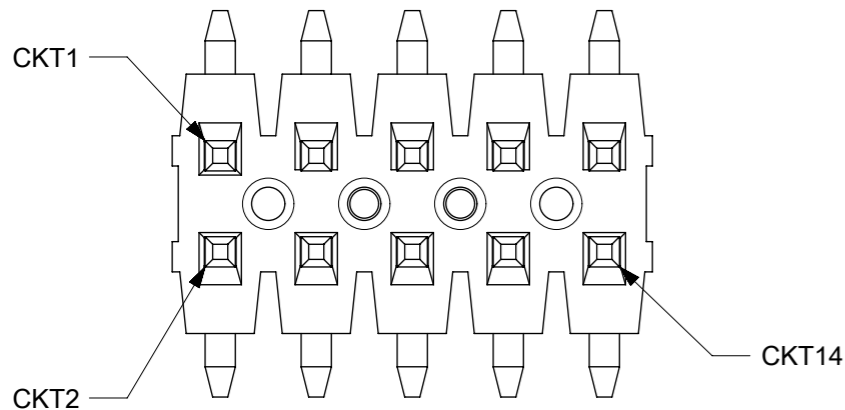
FOR CKT 10 & BELOW & CKT 14, 18, 22, 26, 30, 34, 38, 42, 46, 50, 54, 58, 62, 66, 70, 74, 78, 82, 86, 90, 94, 98

FOR 12, 16, 20, 24, 28, 32, 36, 40, 44, 48, 52, 56, 60, 64, 68, 72, 76, 80, 84, 86, 92, 96, 100

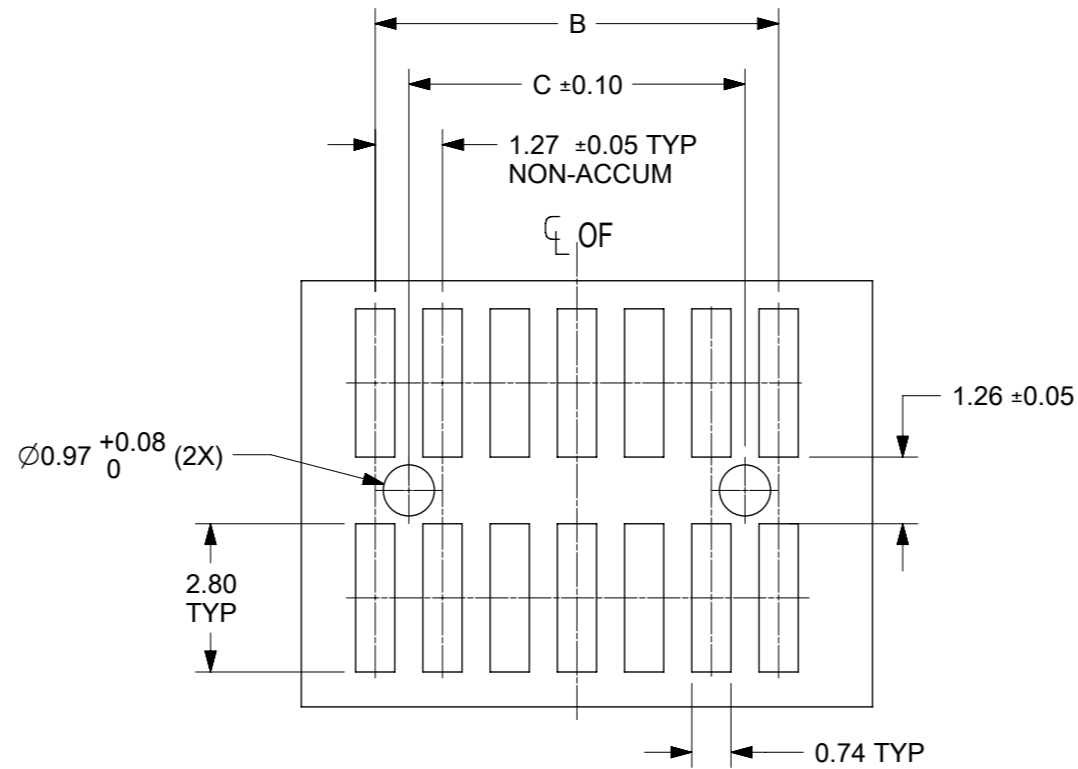
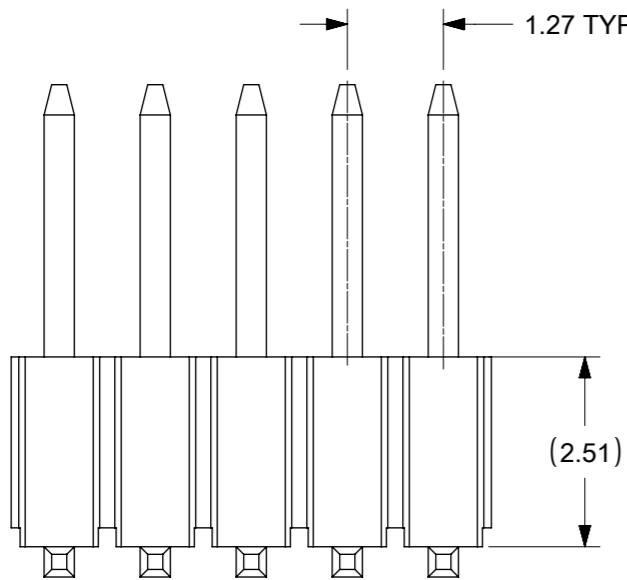


THIS DRAWING CONTAINS INFORMATION THAT IS PROPRIETARY TO MOLEX ELECTRONIC TECHNOLOGIES, LLC AND SHOULD NOT BE USED WITHOUT WRITTEN PERMISSION													
DIMENSION UNITS		SCALE		CURRENT REV DESC: REMOVED OBSOLETE PART NUMBERS AS PER PCN#512673.									
MM		NTS		<b>molex</b> CUSTOM HEADER 1.27MM PITCH DUAL ROW HEADER, SINGLE WAFER, SMT PRODUCT CUSTOMER DRAWING									
GENERAL TOLERANCES (UNLESS SPECIFIED)													
		MM										INCH	
4 PLACES	$\pm$		$\pm$									EC NO: 747661	2023/03/03
3 PLACES	$\pm$		$\pm$									DRWN: LIKITV	2023/05/03
2 PLACES	$\pm$	0.2	$\pm$	CHK'D: GGA	2023/05/03								
1 PLACE	$\pm$		$\pm$	APPR: GGA	2023/05/03								
0 PLACES	$\pm$		$\pm$	INITIAL REVISION:									
ANGULAR TOL		$\pm 3.0^\circ$		DRWN: SKLIM01	2007/04/24								
				APPR: KWLEE	2007/05/04								
DRAFT WHERE APPLICABLE MUST REMAIN WITHIN DIMENSIONS				THIRD ANGLE PROJECTION	DRAWING	SERIES	MATERIAL NUMBER	CUSTOMER	DOCUMENT NUMBER	DOC TYPE	DOC PART	REVISION	
					A3-SIZE	87933	SEE TABLE	GENERAL MARKET	SD-87933-100	PSD	000	B2	
												SHEET NUMBER	
												1 OF 4	

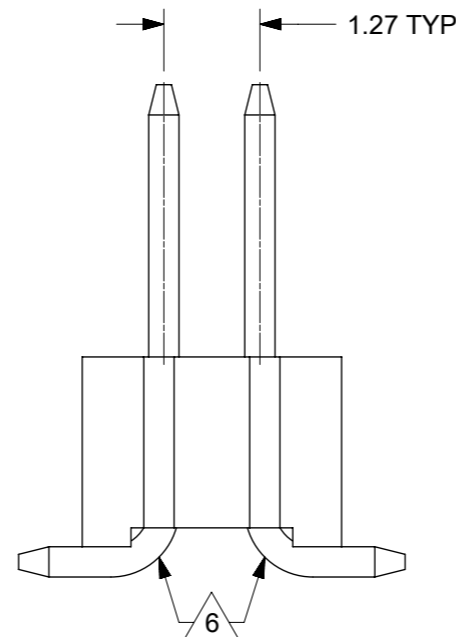
# CIRCUITS POSITION CONFIGURATION



## PART WITHOUT PEG AND CAP VERSION



## RECOMMENDED PCB LAYOUT : COMPONENT SIDE



### NOTES:


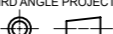
1. MATERIAL:
  - HSG: LCP, GLASS-FILLED, UL94V-0, COLOR: BLACK
  - CAP: NYLON, GLASS-FILLED, UL94V-0, COLOR: BLACK
  - PIN: 0.40MM SQ, COPPER ALLOY
2. PLATING TYPE:
  - (1) GOLD FLASH OVER  
1.25µm MIN. NICKEL OVERALL.
  - (2) GOLD FLASH ON CONTACT AND  
2.50µm MIN. TIN ON SOLDER TAIL OVER  
1.25µm MIN. NICKEL OVERALL.
  - (3) 0.38µm MIN. GOLD PLATE ON CONTACT AND  
2.00µm MIN. TIN ON SOLDER TAIL OVER  
1.25µm MIN. NICKEL OVERALL.
  - (4) 0.76µm MIN. GOLD PLATE ON CONTACT AND  
2.00µm MIN. TIN ON SOLDER TAIL OVER  
1.25µm MIN. NICKEL OVERALL.
  - (5) 2.50µm MIN. TIN OVERALL  
1.25µm MIN. NICKEL OVERALL
3. PACKAGING TYPE: SEE TABLE
4. PCB THICKNESS 1.60+/-0.10mm
5. PRODUCT SPECIFICATION: 879330001\_PS
6. BEND DEPRESSION IS ACCEPTED SO LONG AS IT DOES NOT AFFECT THE OVERALL COPLANARITY OF TAIL
7. COPLANARITY IS TO BE MEASURED BY RESTING THE SOLDER TAIL ON A FLAT SURFACE
8. CAP POSITION TO BE LOCATED AS SHOWN  
(A) REFER TO CKT SIZE ON SHEET 1  
TOP SURFACE OF CAP TO BE FLAT FOR THE PURPOSE OF PICK & PLACE BY VACUUM SUCTION NOZZLE
9. IRREGULAR CIRCUIT CUTOFF WITHIN BREAKAWAY SECTION IS PERMISSIBLE. CUTTING OR CHIPPING OF THE MAIN BODY IS NOT ACCEPTABLE
10. PIN PUSH OUT FORCE: 0.4Kgf IN EITHER DIRECTION
11. THE ABOVE CKT 14 IS FOR ILLUSTRATION PURPOSE ONLY
12. PACKAGING SPECIFICATION:  
T&R: PK-89990-567  
TRAY: PK-89990-568/ PK-87933-300

THIS DRAWING CONTAINS INFORMATION THAT IS PROPRIETARY TO MOLEX ELECTRONIC TECHNOLOGIES, LLC AND SHOULD NOT BE USED WITHOUT WRITTEN PERMISSION									
DIMENSION UNITS		SCALE		CURRENT REV DESC: REMOVED OBSOLETE PART NUMBERS AS PER PCN#512673.					
MM		NTS							
GENERAL TOLERANCES (UNLESS SPECIFIED)				EC NO: 747661		2023/03/03		CUSTOM HEADER	
				DRWN: LIKITV		2023/05/03		1.27MM PITCH DUAL ROW HEADER, SINGLE WAFER, SMT	
				CHK'D: GGA		2023/05/03		PRODUCT CUSTOMER DRAWING	
				APPR: GGA		2023/05/03			
				INITIAL REVISION:				DOCUMENT NUMBER	
				DRWN: SKLIM01		2007/04/24		SD-87933-100	
				APPR: KWLEE		2007/05/04		PSD 000 B2	
ANGULAR TOL ± 3.0°				DRAFT WHERE APPLICABLE MUST REMAIN WITHIN DIMENSIONS		THIRD ANGLE PROJECTION		DRAWING	
						A3-SIZE		SERIES	
						87933		MATERIAL NUMBER	
						SEE TABLE		CUSTOMER	
						GENERAL MARKET		SHEET NUMBER	
						2 OF 4			

CKT SIZE	DIMENSION		
	A	B	C
04	2.54	1.27	-
06	3.81	2.54	-
08	5.08	3.81	-
10	6.35	5.08	3.81
12	7.62	6.35	-
14	8.89	7.62	-
16	10.16	8.89	-
18	11.43	10.16	-
20	12.70	11.43	10.16
22	13.97	12.70	-
24	15.24	13.97	-
26	16.51	15.24	-
28	17.78	16.51	-
30	19.05	17.78	16.51
32	20.32	19.05	-
34	21.59	20.32	-
36	22.86	21.59	-
38	24.13	22.86	-
40	25.40	24.13	22.86
42	26.67	25.40	-
44	27.94	26.67	-
46	29.21	27.94	-
48	30.48	29.21	-
50	31.75	30.48	29.21

PART NUMBER IN PACKAGING OPTION					CKT SIZE	PEG	PLATE OPT.	VOID POSITION	DIMENSION		
TRAY WITHOUT CAP	TRAY WITH CAP	TAPE & REEL WITH CAP	TUBE WITHOUT CAP	TUBE WITH CAP					G	F	MATING END
-	-	87933-1228	-	-	12	NO	3	-	7.21	5.96	3.05
-	-	87933-2020	-	-	20	NO	5	-	9.21	8.01	5.10

DOCUMENT STATUS	P1	RELEASE DATE	2023/05/03	18:46:57
-----------------	----	--------------	------------	----------

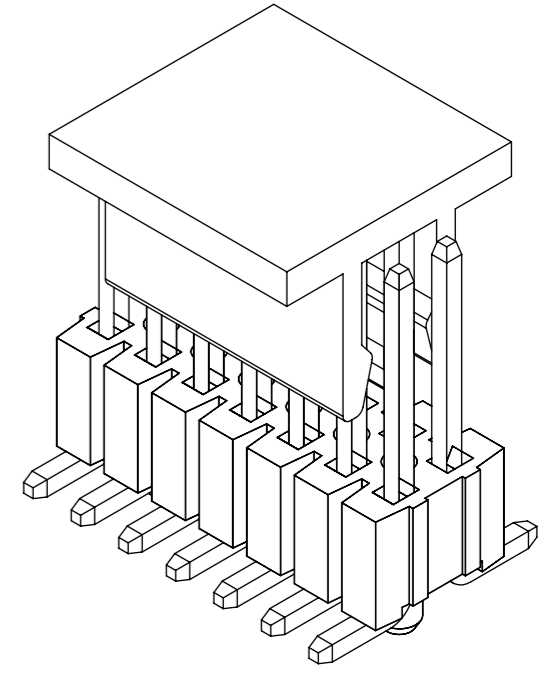
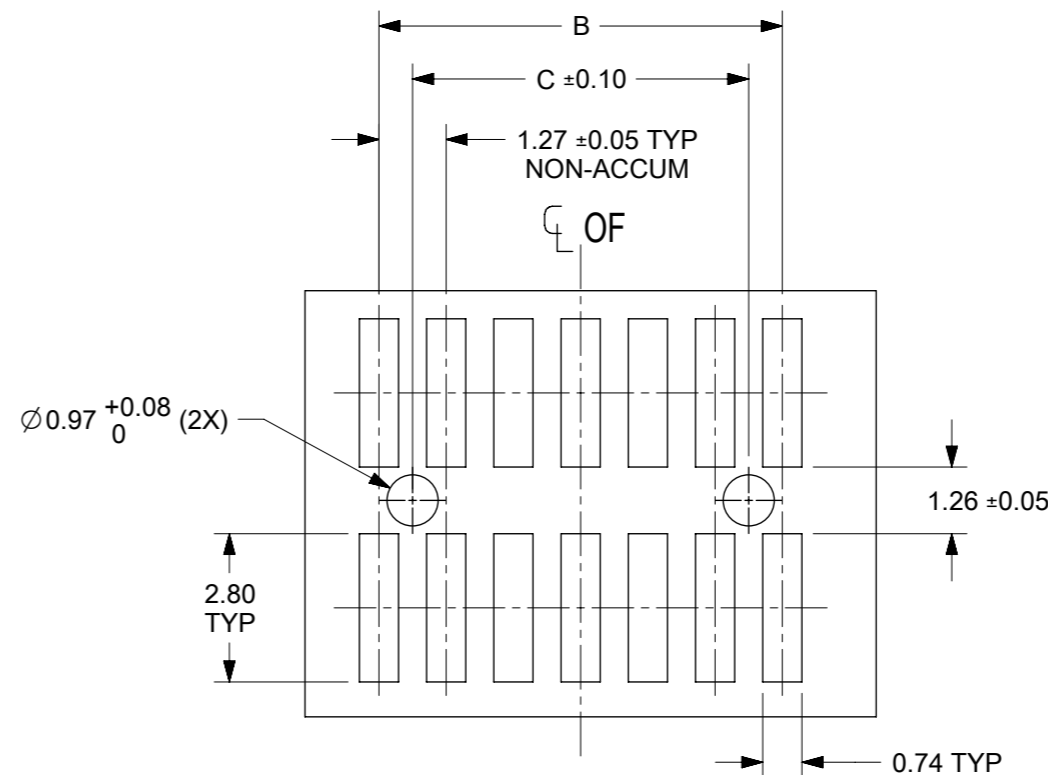
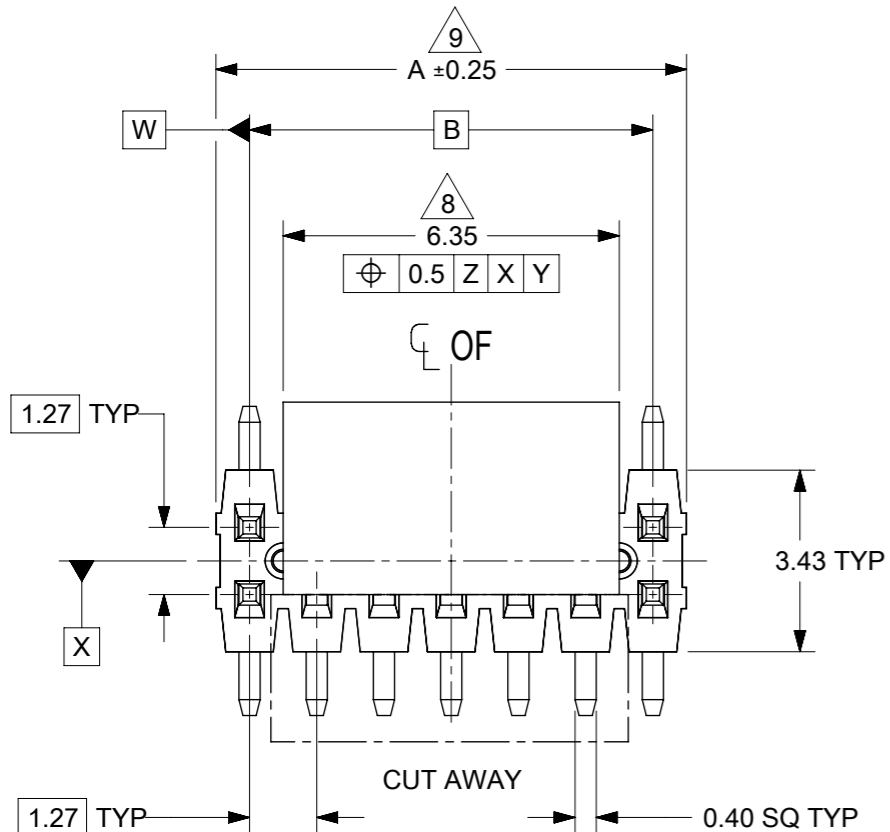
THIS DRAWING CONTAINS INFORMATION THAT IS PROPRIETARY TO MOLEX ELECTRONIC TECHNOLOGIES, LLC AND SHOULD NOT BE USED WITHOUT WRITTEN PERMISSION														
DIMENSION UNITS		SCALE		CURRENT REV DESC: REMOVED OBSOLETE PART NUMBERS AS PER PCN#512673.										
MM		NTS												
GENERAL TOLERANCES (UNLESS SPECIFIED)				EC NO: 747661 DRWN: LIKITV CHK'D: GGA APPR: GGA INITIAL REVISION: DRWN: SKLIM01 APPR: KWLEE 2023/03/03 2023/05/03 2023/05/03 2007/04/24 2007/05/04						CUSTOM HEADER 1.27MM PITCH DUAL ROW HEADER,SINGLE WAFER,SMT				
										PRODUCT CUSTOMER DRAWING				
										DOCUMENT NUMBER		DOC TYPE	DOC PART	REVISION
										SD-87933-100		PSD	000	B2
DRAFT WHERE APPLICABLE MUST REMAIN WITHIN DIMENSIONS				THIRD ANGLE PROJECTION		DRAWING	SERIES	MATERIAL NUMBER	CUSTOMER	SHEET NUMBER				
						A3-SIZE	87933	SEE TABLE	GENERAL MARKET	3 OF 4				

BOARD TO BOARD (BTB) DISTANCE

HEADER	MATES WITH (RECEPTACLE)	BTB DIST.	PICTORIAL VIEW
87933	78120	7.57	

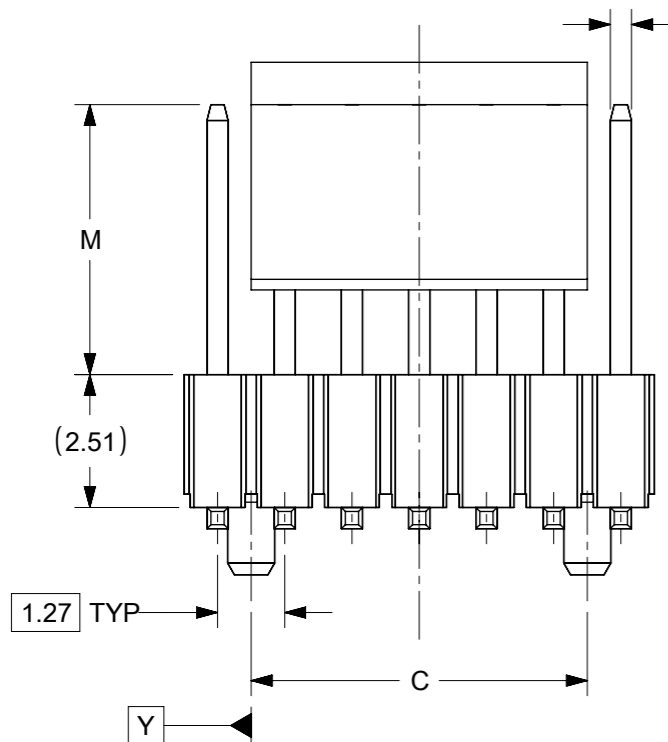
THIS DRAWING CONTAINS INFORMATION THAT IS PROPRIETARY TO MOLEX ELECTRONIC TECHNOLOGIES, LLC AND SHOULD NOT BE USED WITHOUT WRITTEN PERMISSION									
DIMENSION UNITS		SCALE		CURRENT REV DESC: REMOVED OBSOLETE PART NUMBERS AS PER PCN#512673.					
MM		NTS							
GENERAL TOLERANCES (UNLESS SPECIFIED)				EC NO: 747661		2023/03/03		CUSTOM HEADER 1.27MM PITCH DUAL ROW HEADER,SINGLE WAFER,SMT	
				DRWN: LIKITV		2023/05/03			
				CHK'D: GGA		2023/05/03		PRODUCT CUSTOMER DRAWING	
				APPR: GGA		2023/05/03			
				INITIAL REVISION:				DOCUMENT NUMBER <b>SD-87933-100</b>	
				DRWN: SKLIM01		2007/04/24			
				APPR: KWLEE		2007/05/04		DOC PART 000	
				ANGULAR TOL ± 3.0°				REVISION B2	
DRAFT WHERE APPLICABLE MUST REMAIN WITHIN DIMENSIONS				THIRD ANGLE PROJECTION		DRAWING A3-SIZE		SERIES 87933	
						MATERIAL NUMBER SEE TABLE		CUSTOMER GENERAL MARKET	
								SHEET NUMBER 4 OF 4	

DOCUMENT STATUS	P1	RELEASE DATE	2023/05/03	18:46:57
-----------------	----	--------------	------------	----------

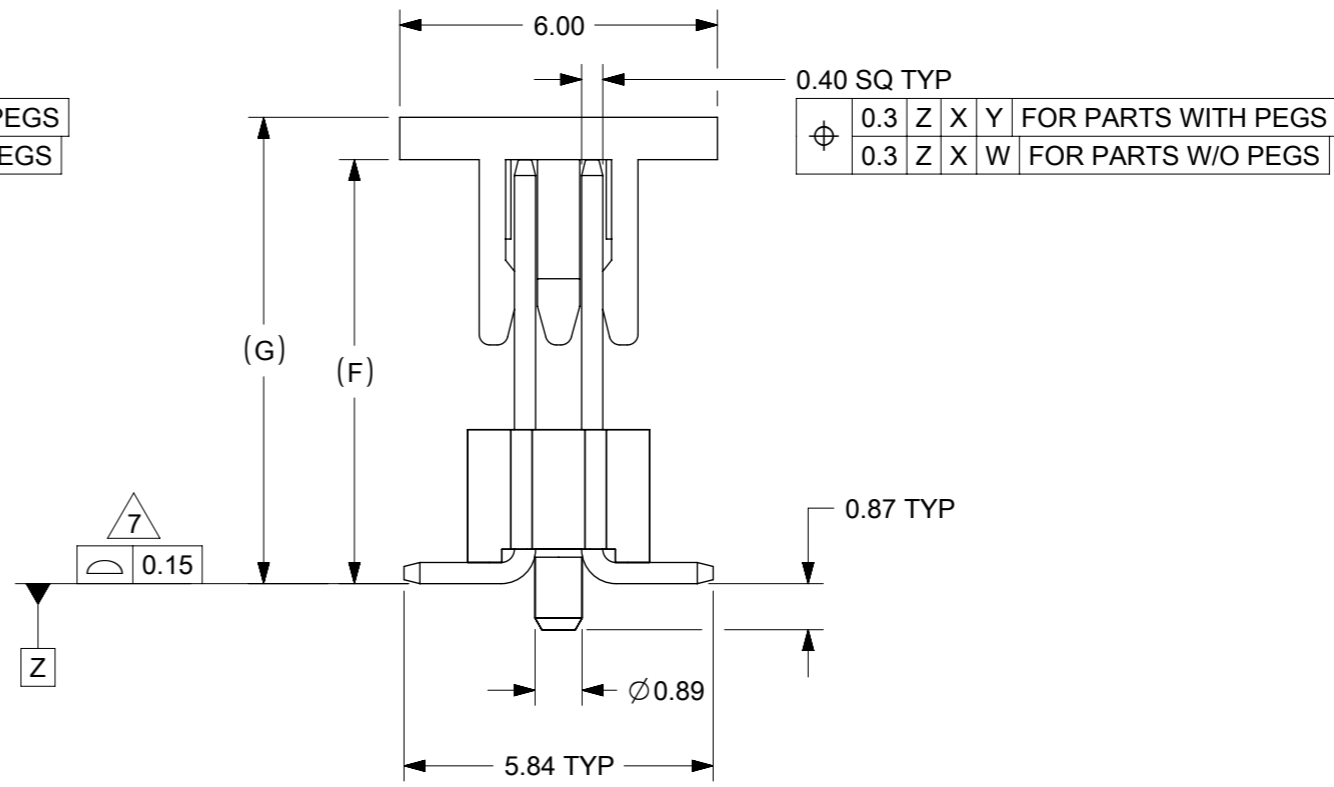


RECOMMENDED PCB LAYOUT: COMPONENT SIDE

Ø	0.3	Z	X	Y	FOR PARTS WITH PEGS
Ø	0.3	Z	X	W	FOR PARTS W/O PEGS



Ø	0.3	Z	X	Y	FOR PARTS WITH PEGS
Ø	0.3	Z	X	W	FOR PARTS W/O PEGS

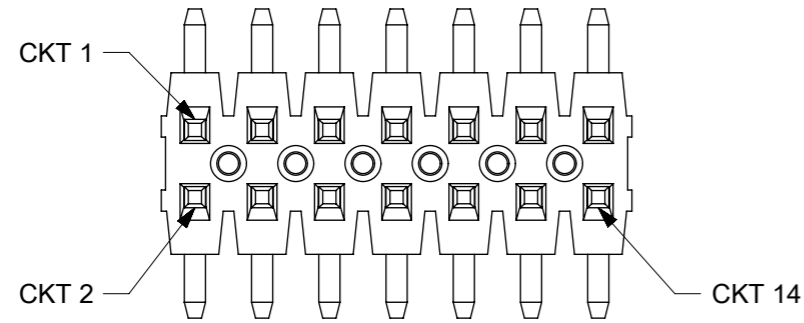


Ø	0.3	Z	X	Y	FOR PARTS WITH PEGS
Ø	0.3	Z	X	W	FOR PARTS W/O PEGS

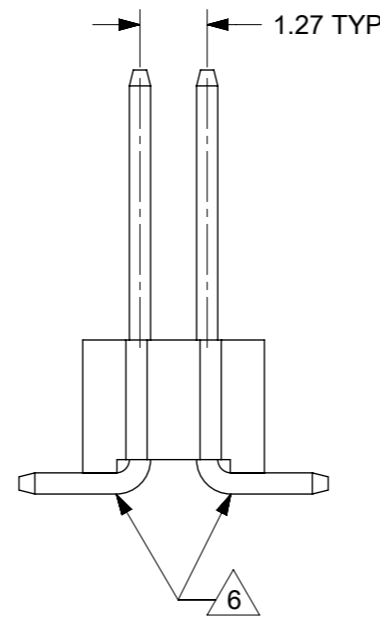
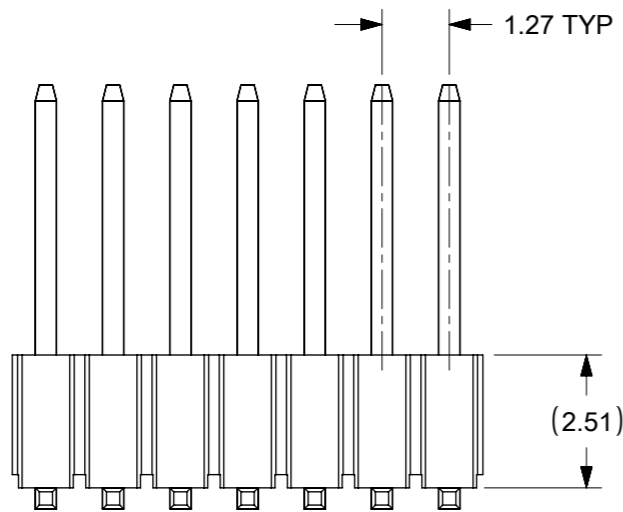
EM-87933-028

THIS DRAWING CONTAINS INFORMATION THAT IS PROPRIETARY TO MOLEX ELECTRONIC TECHNOLOGIES, LLC AND SHOULD NOT BE USED WITHOUT WRITTEN PERMISSION		CURRENT REV DESC: REMASTERED & BTB DISTANCE UPDATE		<b>molex</b>	
DIMENSION UNITS	SCALE	EC NO: 664214			
MM	NTS	DRWN: KSUTAR 2021/05/10		CUSTOMER	
GENERAL TOLERANCES (UNLESS SPECIFIED)		CHK'D: ABABUPS 2021/05/18		CUSTOMER	
ANGULAR TOL ± 3.0°		APPR: MRAMAKRISHNA 2021/05/18		CUSTOMER	
4 PLACES ±		INITIAL REVISION:		CUSTOMER	
3 PLACES ±		DRWN: MRAMAKRISHNA 2015/05/04		CUSTOMER	
2 PLACES ± 0.2		APPR: MRAMAKRISHNA 2015/05/08		CUSTOMER	
1 PLACE ±		DOCUMENT NUMBER		CUSTOMER	
0 PLACES ±		SD-87933-101		CUSTOMER	
DRAFT WHERE APPLICABLE MUST REMAIN WITHIN DIMENSIONS		THIRD ANGLE PROJECTION	DRAWING	SERIES	SHEET NUMBER
			A3-SIZE	87933	1 OF 4

# CIRCUITS POSITION CONFIGURATION



# PART WITHOUT PEG AND CAP VERSION



### NOTES:

1. MATERIAL:  
HSG: LCP, GLASS-FILLED, UL94V-0, COLOR: BLACK  
CAP: NYLON, GLASS-FILLED, UL94V-0, COLOR: BLACK  
PIN: 0.40MM SQ, COPPER ALLOY
2. PLATING TYPE:
  - (1) GOLD FLASH OVER  
1.25µm MIN. NICKEL OVERALL.
  - (2) GOLD FLASH ON CONTACT AND  
2.50µm MIN. TIN ON SOLDER TAIL OVER  
1.25µm MIN. NICKEL OVERALL.
  - (3) 0.38µm MIN. GOLD PLATE ON CONTACT AND  
2.00µm MIN. TIN ON SOLDER TAIL OVER  
1.25µm MIN. NICKEL OVERALL.
  - (4) 0.76µm MIN. GOLD PLATE ON CONTACT AND  
2.00µm MIN. TIN ON SOLDER TAIL OVER  
1.25µm MIN. NICKEL OVERALL.
  - (5) 2.50µm MIN. TIN OVERALL  
1.25µm MIN. NICKEL OVERALL
3. PACKAGING TYPE: SEE TABLE
4. PCB THICKNESS 1.60+/-0.10mm
5. PRODUCT SPECIFICATION: PS-87933-001
6. BEND DEPRESSION IS ACCEPTED SO LONG AS IT DOES NOT AFFECT THE OVERALL COPLANARITY OF TAIL
7. COPLANARITY IS TO BE MEASURED BY RESTING THE SOLDER TAIL ON A FLAT SURFACE
8. CAP POSITION TO BE LOCATED AT THE CENTER OF DIMENSION (A) REGARDLESS OF CIRCUIT SIZE  
TOP SURFACE OF CAP TO BE FLAT FOR THE PURPOSE OF PICK & PLACE BY VACUUM SUCTION NOZZLE
9. IRREGULAR CIRCUIT CUTOFF WITHIN BREAKAWAY SECTION IS PERMISSIBLE. CUTTING OR CHIPPING OF THE MAIN BODY IS NOT ACCEPTABLE
10. PIN PUSH OUT FORCE: 0.4KgF IN EITHER DIRECTION
11. THE ABOVE CKT 14 IS FOR ILLUSTRATION PURPOSE ONLY
12. PACKAGING SPECIFICATION:  
T&R: PK-89990-567  
TRAY: PK-89990-568

EM-87933-028

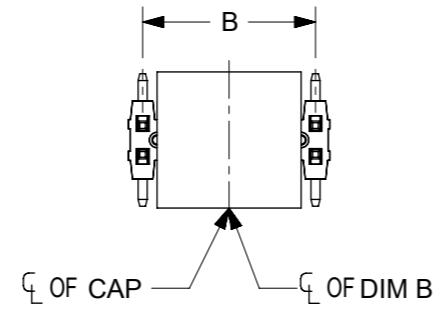
THIS DRAWING CONTAINS INFORMATION THAT IS PROPRIETARY TO MOLEX ELECTRONIC TECHNOLOGIES, LLC AND SHOULD NOT BE USED WITHOUT WRITTEN PERMISSION									
DIMENSION UNITS		SCALE		CURRENT REV DESC: REMASTERED & BTB DISTANCE UPDATE					
MM		NTS							
GENERAL TOLERANCES (UNLESS SPECIFIED)				EC NO: 664214					
ANGULAR TOL ± 3.0 °				4 PLACES ±		DRWN: KSUTAR 2021/05/10		CUSTOMER DRAWING	
				3 PLACES ±		CHK'D: ABABUPS 2021/05/18		DOCUMENT NUMBER	
				2 PLACES ± 0.2		APPR: MRAMAKRISHNA 2021/05/18		SD-87933-101	
				1 PLACE ±		INITIAL REVISION:		DOC TYPE	
				0 PLACES ±		DRWN: MRAMAKRISHNA 2015/05/04		PSD	
						APPR: MRAMAKRISHNA 2015/05/08		DOC PART	
DRAFT WHERE APPLICABLE MUST REMAIN WITHIN DIMENSIONS				THIRD ANGLE PROJECTION		DRAWING		REVISION	
						A3-SIZE		001	
						SERIES		A	
						87933		SHEET NUMBER	
						MATERIAL NUMBER		2 OF 4	
						SEE TABLE			
						CUSTOMER			
						GENERAL MARKET			

CKT SIZE	DIMENSION		
	A	B	C
04	2.54	1.27	-
06	3.81	2.54	-
08	5.08	3.81	-
10	6.35	5.08	3.81
12	7.62	6.35	-
14	8.89	7.62	-
16	10.16	8.89	-
18	11.43	10.16	-
20	12.70	11.43	10.16
22	13.97	12.70	-
24	15.24	13.97	-
26	16.51	15.24	-
28	17.78	16.51	-
30	19.05	17.78	16.51
32	20.32	19.05	-
34	21.59	20.32	-
36	22.86	21.59	-
38	24.13	22.86	-
40	25.40	24.13	22.86
42	26.67	25.40	-
44	27.94	26.67	-
46	29.21	27.94	-
48	30.48	29.21	-
50	31.75	30.48	29.21
64	40.64	39.37	-

PART NUMBER IN PACKAGIN OPTION					CKT SIZE	PEG	PLATE OPT.	VOID POSITION	DIMENSION		
TRAY WITHOUT CAP	TRAY WITH CAP	TAPE & REEL WITH CAP W/O PEG	TUBE WITHOUT CAP	TUBE WITH CAP					G	F	MATING END
-	-	87933-6400	-	-	64	NO	1	-	7.21	5.96	3.05

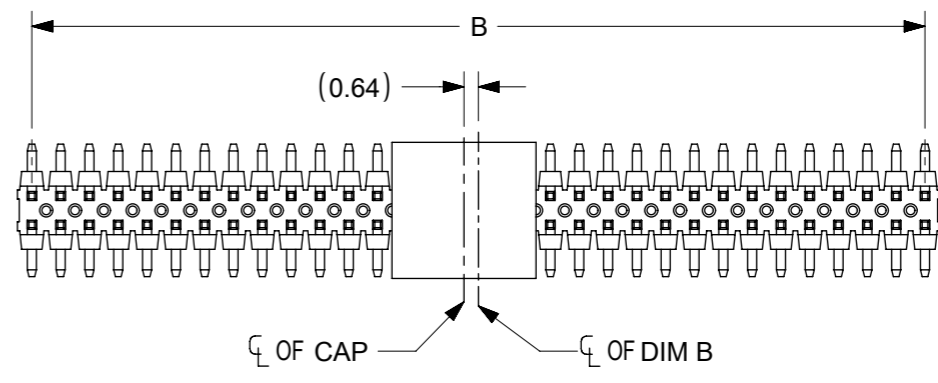
CAD POSITION ILLUSTRATION FOR REFERENCE

FOR ILLUSTRATION 14 CKT AS SHOWN



CL OF DIM B = CL OF CAP FOR ODD CKT COLUMN

FOR ILLUSTRATION 64 CKT AS SHOWN



CL OF DIM B IS OFFSET WITH CL OF CAP FOR EVEN CKT COLUMN

EM-87933-028

THIS DRAWING CONTAINS INFORMATION THAT IS PROPRIETARY TO MOLEX ELECTRONIC TECHNOLOGIES, LLC AND SHOULD NOT BE USED WITHOUT WRITTEN PERMISSION											
DIMENSION UNITS	SCALE	CURRENT REV DESC: REMASTERED & BTB DISTANCE UPDATE									
MM	NTS	<p>CUSTOM HEADER 1.27MM PITCH DUAL ROW HEADER,SINGLE WAFER,SMT</p>									
GENERAL TOLERANCES (UNLESS SPECIFIED)											
ANGULAR TOL	± 3.0 °	PRODUCT CUSTOMER DRAWING									
4 PLACES	±	EC NO: 664214	2021/05/10								
3 PLACES	±	DRWN: KSUTAR	2021/05/18								
2 PLACES	± 0.2	CHK'D: ABABUPS	2021/05/18								
1 PLACE	±	APPR: MRAMAKRISHNA	2021/05/18								
0 PLACES	±	INITIAL REVISION:		DOCUMENT NUMBER							
DRAFT WHERE APPLICABLE MUST REMAIN WITHIN DIMENSIONS		THIRD ANGLE PROJECTION		DRAWING		SERIES		MATERIAL NUMBER		CUSTOMER	
				A3-SIZE		87933		SEE TABLE		GENERAL MARKET	
								SD-87933-101		PSD 001 A	
										3 OF 4	

DOCUMENT STATUS	P1	RELEASE DATE	2021/05/18	14:43:06
-----------------	----	--------------	------------	----------



BOARD TO BOARD (BTB) DISTANCE

HEADER	MATES WITH (RECEPTACLE)	BTB DIST.	PICTORIAL VIEW
87933	78120	7.57	

THIS DRAWING CONTAINS INFORMATION THAT IS PROPRIETARY TO MOLEX ELECTRONIC TECHNOLOGIES, LLC AND SHOULD NOT BE USED WITHOUT WRITTEN PERMISSION									
DIMENSION UNITS	SCALE	CURRENT REV DESC: REMASTERED & BTB DISTANCE UPDATE							
MM	NTS								
GENERAL TOLERANCES (UNLESS SPECIFIED)		EC NO: 664214			CUSTOM HEADER 1.27MM PITCH DUAL ROW HEADER,SINGLE WAFER,SMT				
ANGULAR TOL ± 3.0 °		DRWN: KSUTAR 2021/05/10							
4 PLACES ±		CHK'D: ABABUPS 2021/05/18			PRODUCT CUSTOMER DRAWING				
3 PLACES ±		APPR: MRAMAKRISHNA 2021/05/18							
2 PLACES ± 0.2		INITIAL REVISION:			DOCUMENT NUMBER		DOC TYPE	DOC PART	REVISION
1 PLACE ±		DRWN: MRAMAKRISHNA 2015/05/04			SD-87933-101		PSD	001	A
0 PLACES ±		APPR: MRAMAKRISHNA 2015/05/08			MATERIAL NUMBER		CUSTOMER		SHEET NUMBER
DRAFT WHERE APPLICABLE MUST REMAIN WITHIN DIMENSIONS		THIRD ANGLE PROJECTION	DRAWING	SERIES	SEE TABLE		GENERAL MARKET		4 OF 4
			A3-SIZE	87933					

DOCUMENT STATUS	P1	RELEASE DATE	2021/05/18	14:43:06
-----------------	----	--------------	------------	----------