

6

5

4

3

2

1

D

D

C

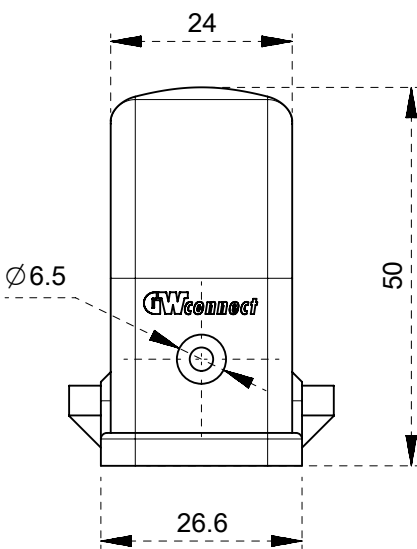
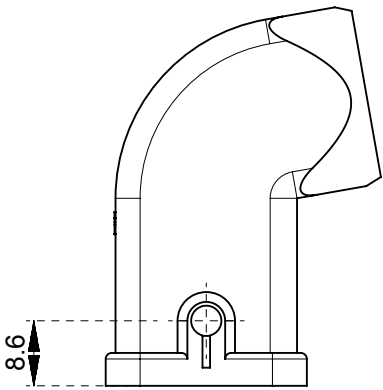
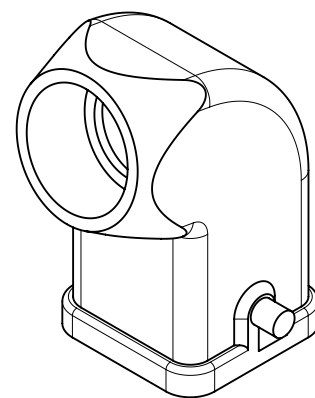
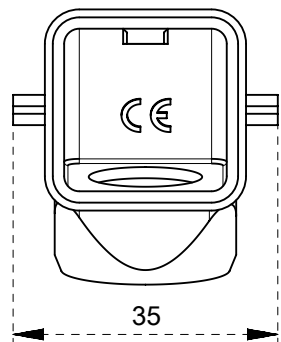
C

B

B

A

A



TECHNICAL CHARACTERISTICS CARATTERISTICHE TECNICHE	
Type STD Tipo STD	For standard application Per applicazioni standard
IP protection degree IP grado di protezione	IP66/IP67 with gasket on the screw IP66/IP67 con guarizione sulla vite
Working voltage Tensione nominale	500 V
Thread entry Filettatura ingresso	M20 M20

TOLL.GENERALI-ISO 2768-2/F THIS DRAWING CONTAINS INFORMATION THAT IS PROPRIETARY TO MOLEX ELECTRONIC TECHNOLOGIES, LLC AND SHOULD NOT BE USED WITHOUT WRITTEN PERMISSION

TOLL.GENERALI-ISO 2768-2/F	
Tolerances unless otherwise stated	
DIM./Dim.	TOL./Tot.
0.5+3	± 0.05
3+6	± 0.05
6+30	± 0.1
30+120	± 0.15
120+400	± 0.2
DIM. ANGOLARI Angular dimensions	
<10	± 1°
10+50	± 0°30'
50+120	± 0°20'
120+400	± 0°10'

2017/11/09	2017/11/13	2017/11/14	GENERAL TOLERANCES (UNLESS SPECIFIED) [SEE CHART] ANGULAR TOL ±	DIMENSION UNITS	SCALE
2017/11/09				mm	1:1
AKHEMIRI				DATE	2017/11/09
2017/11/13	2017/11/13	2017/11/14	GENERAL TOLERANCES (UNLESS SPECIFIED) [SEE CHART] ANGULAR TOL ±	DRWN BY	DATE
				AKHEMIRI	2017/11/09
				DMERONI	2017/11/13
2017/11/14	2017/11/14	2017/11/14	GENERAL TOLERANCES (UNLESS SPECIFIED) [SEE CHART] ANGULAR TOL ±	CHK'D BY	DATE
				DMERONI	2017/11/13
				AMELZI	2017/11/14
2017/11/14	2017/11/14	2017/11/14	GENERAL TOLERANCES (UNLESS SPECIFIED) [SEE CHART] ANGULAR TOL ±	APPR BY	DATE
				AMELZI	2017/11/14
				AMELZI	2017/11/14

EC NO: 168065	2017/11/13	2017/11/14	GENERAL TOLERANCES (UNLESS SPECIFIED) [SEE CHART] ANGULAR TOL ±	DIMENSION UNITS	SCALE
DRWN: AKHEMIRI				mm	1:1
CHK'D: DMERONI				DATE	2017/11/09
2017/11/14	2017/11/14	2017/11/14	GENERAL TOLERANCES (UNLESS SPECIFIED) [SEE CHART] ANGULAR TOL ±	DRWN BY	DATE
				AKHEMIRI	2017/11/09
				DMERONI	2017/11/13
2017/11/14	2017/11/14	2017/11/14	GENERAL TOLERANCES (UNLESS SPECIFIED) [SEE CHART] ANGULAR TOL ±	CHK'D BY	DATE
				DMERONI	2017/11/13
				AMELZI	2017/11/14
2017/11/14	2017/11/14	2017/11/14	GENERAL TOLERANCES (UNLESS SPECIFIED) [SEE CHART] ANGULAR TOL ±	APPR BY	DATE
				AMELZI	2017/11/14
				AMELZI	2017/11/14

molex		
7803.6209.1 3A STANDARD NYLON HOOD 2 PEGS SIDE ENTRY PG11 BLACK		
PRODUCT CUSTOMER DRAWING		
SERIES	MATERIAL NUMBER	CUSTOMER
93601	936010685	GENERAL MARKET
DOCUMENT NUMBER	DOC TYPE	DOC PART SHEET NUMBER
936010638	PSD	000 1 OF 2

RELEASE STATUS	P1	RELEASE DATE	14.11.2017	14:53:33
----------------	----	--------------	------------	----------

6

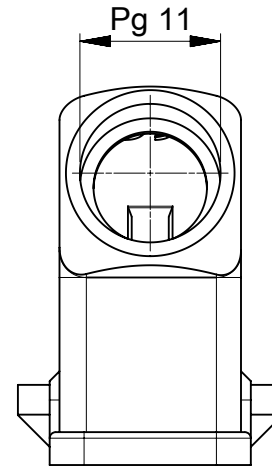
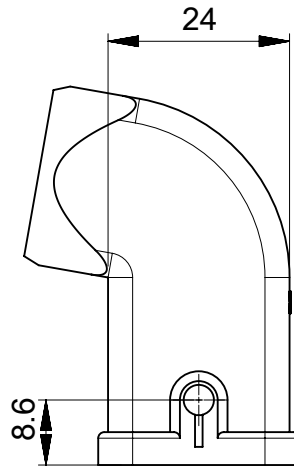
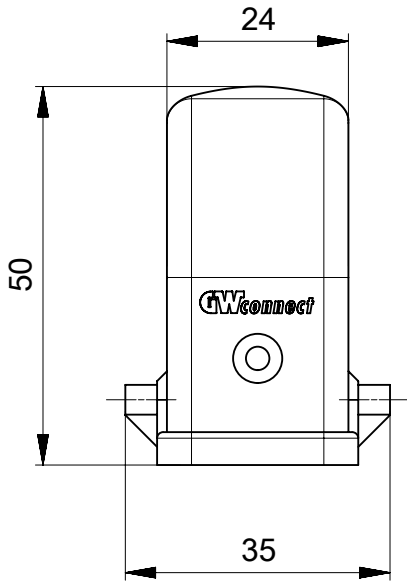
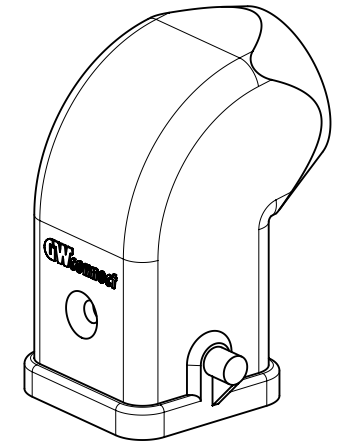
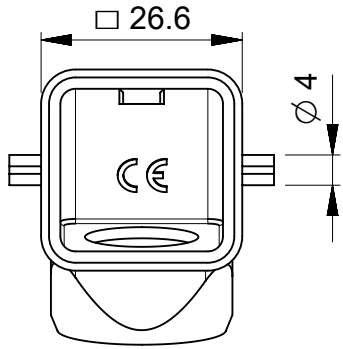
5

4

3

2

1



THIS DRAWING CONTAINS INFORMATION THAT IS PROPRIETARY TO MOLEX ELECTRONIC TECHNOLOGIES, LLC AND SHOULD NOT BE USED WITHOUT WRITTEN PERMISSION

EC NO: 168065 DRWN: AKHEMIRI CHK'D: DMERONI REV 1 APPR: AMELZI	2017/11/09	2017/11/13	2017/11/14	GENERAL TOLERANCES (UNLESS SPECIFIED) ANGULAR TOL ± ° 4 PLACES ± 3 PLACES ± 2 PLACES ± 1 PLACE ± 0 PLACES ± DRAFT WHERE APPLICABLE MUST REMAIN WITHIN DIMENSIONS	DIMENSION UNITS	SCALE			
					mm	1:1			
					DRWN BY	DATE	7803.6209.1 3A STANDARD NYLON HOOD 2 PEGS SIDE ENTRY PG11 BLACK		
					AKHEMIRI	2017/11/09			
					CHK'D BY	DATE			
					DMERONI	2017/11/13	PRODUCT CUSTOMER DRAWING		
					APPR BY	DATE			
			AMELZI	2017/11/14	SERIES	MATERIAL NUMBER	CUSTOMER		
			DRAWING SIZE		FIRST ANGLE PROJECTION		93601	936010638	GENERAL MARKET
			A4			DOCUMENT NUMBER	DOC TYPE	DOC PART	SHEET NUMBER
					936010638	PSD	000	2 OF 2	

RELEASE STATUS P1 RELEASE DATE 14.11.2017 14:53:33