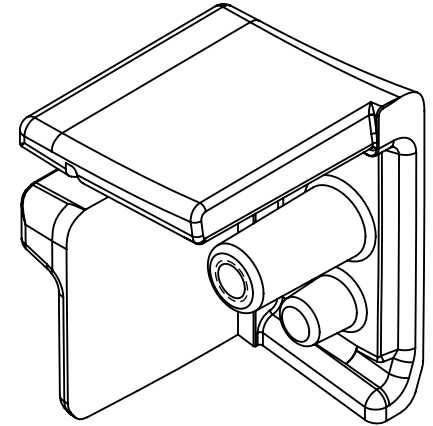
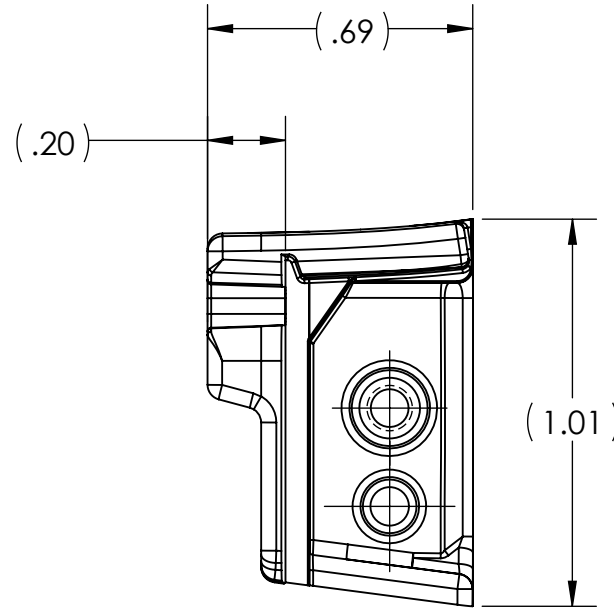
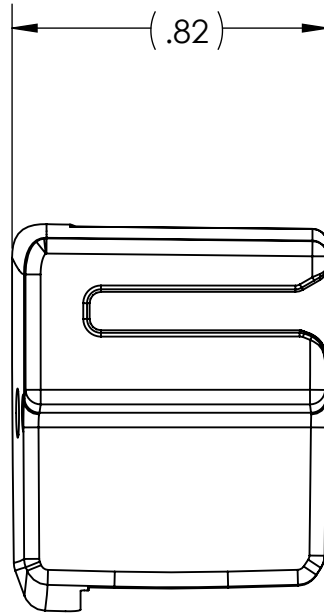
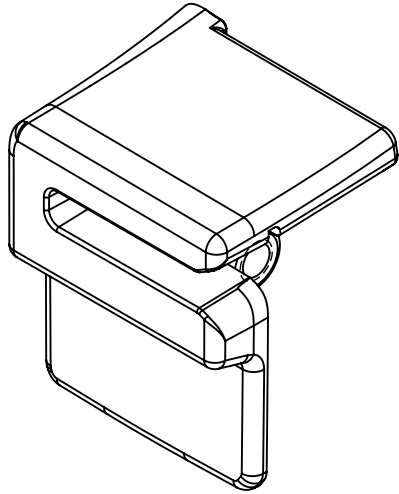


SW2015



| Revision level | | | Revision Record | Changed | Date | Approved | Date |
|----------------|----------------|------|-----------------|---------|------------|----------|------------|
| Drawing | State | Part | | | | | |
| 00.0 | Design Release | - | SEE ECN# 300313 | DKM | 11-16-2017 | TJM | 11-16-2017 |



NOTE: TIE TAIL LENGTH INCREASED BY APPROXIMATELY 4MM OVER STANDARD NOSEPIECE

| | | | | | | | | |
|--------------------------|--|---|----------|------------------------|--------------------|-----------------------------------|----------------------------|--|
| Material METAL | Units: inches | The copyright of this drawing is reserved by HellermannTyton. It is issued on condition that it is not reproduced, copied, or disclosed to a third party, either wholly or in part, without the consent of HellermannTyton. | Drawn | TJM | 6-8-2015 | Article/Type-No 110-80066 | Scale 2:1 | |
| | Dimension without tolerances details to: .xxxx = ±.0005 .xxx = ±.005 .xx = ±.01 .x = ±.03 None = ±.06 ∠ = ±0.5° Dimension Formatted in [mm] | | Approved | TJM | 6-8-2015 | Title EVO9 NOSEPIECE EXTENDED 4mm | Project Number PRP 13-0516 | |
| | HellermannTyton North America Email: corp@htamericas.com Web: www.hellermann.tyton.com | | | Drawing-No | Production : Phase | | Format AH | |
| | | | | 13-0516-212-CSU | | Sheet 1/1 | | |