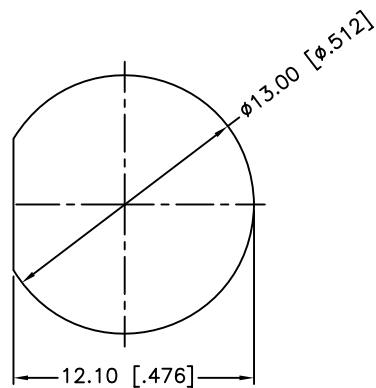
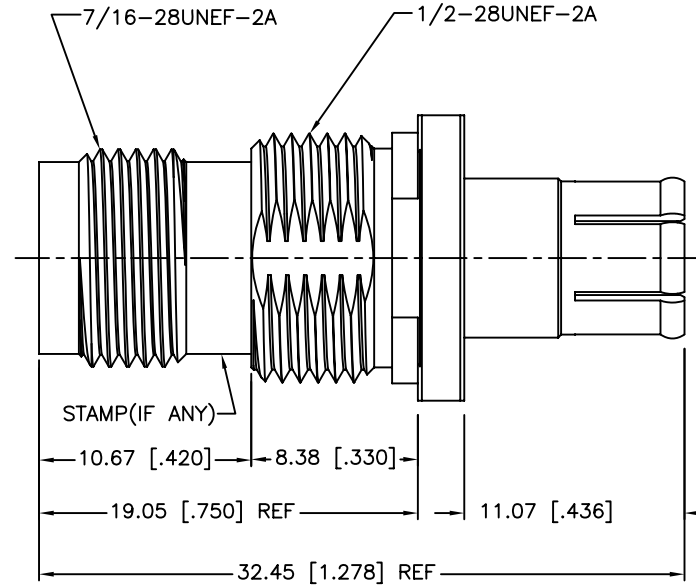
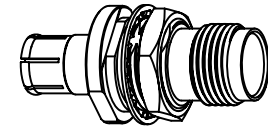
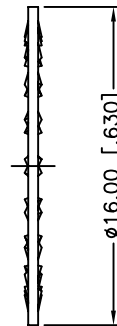
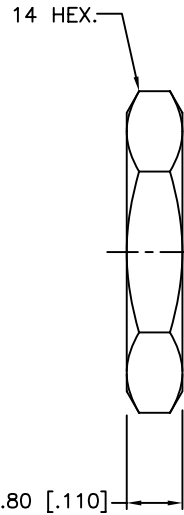
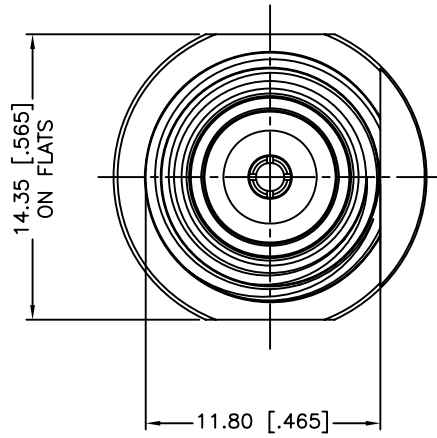


REV.	DATE	ECR NO.	DESCRIPTION
A	08/28/96	XXXXXX	BODY DIMS.- 11.07/32.51/8.0,ADD REF. #100556
B	10/22/98	XXXXXX	ADD HEX NUT AND MOUNTING HOLE DIMS.
C	08/19/11	2219	UPDATE THE DRAWING



RECOMMENDED MOUNTING HOLE



QTY	DESCRIPTION	MATERIAL	FINISH
5	LOCK WASHER	BRASS	NICKEL
4	HEX NUT	BRASS	NICKEL
3	CONTACT PIN	PHOS. BRONZE	GOLD
2	INSULATOR	PTFE	NATURAL
1	BODY	BRASS	NICKEL

UNLESS OTHERWISE SPECIFIED DIMENSIONS ARE IN MILLIMETERS. DIMENSIONS IN [ ] ARE IN INCHES AND FOR CUSTOMER REFERENCE ONLY.

UNLESS OTHERWISE SPECIFIED TOLERANCES FOR MILLIMETERS ARE:  
0.5 - 8mm ± 0.20mm  
8 - 30mm ± 0.40mm  
30 - 120mm ± 0.50mm

UNLESS OTHERWISE SPECIFIED TOLERANCES FOR INCHES ARE:  
.020 - .315 = ± 0.007"  
.315 - 1.180 = ± 0.015"  
1.180 - 4.724 = ± 0.020"

DO NOT SCALE DRAWING

APPROVALS	DATE
DRAWN S.LI	08/19/11
CHECKED	
ISSUED	
SHEET 1 OF 1	
CAD FILE C:/CONNEX/122380.DWG	

# Amphenol Connex

PART DESCRIPTION			
TNC MALE TO FEMALE ADAPTOR			
PART NO.		122380	
DWG. NO.	122380.DWG	REV.	C
SIZE	A	SCALE	NA