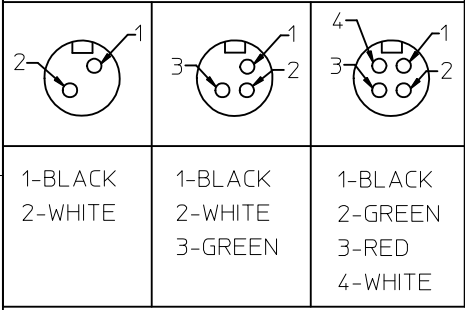
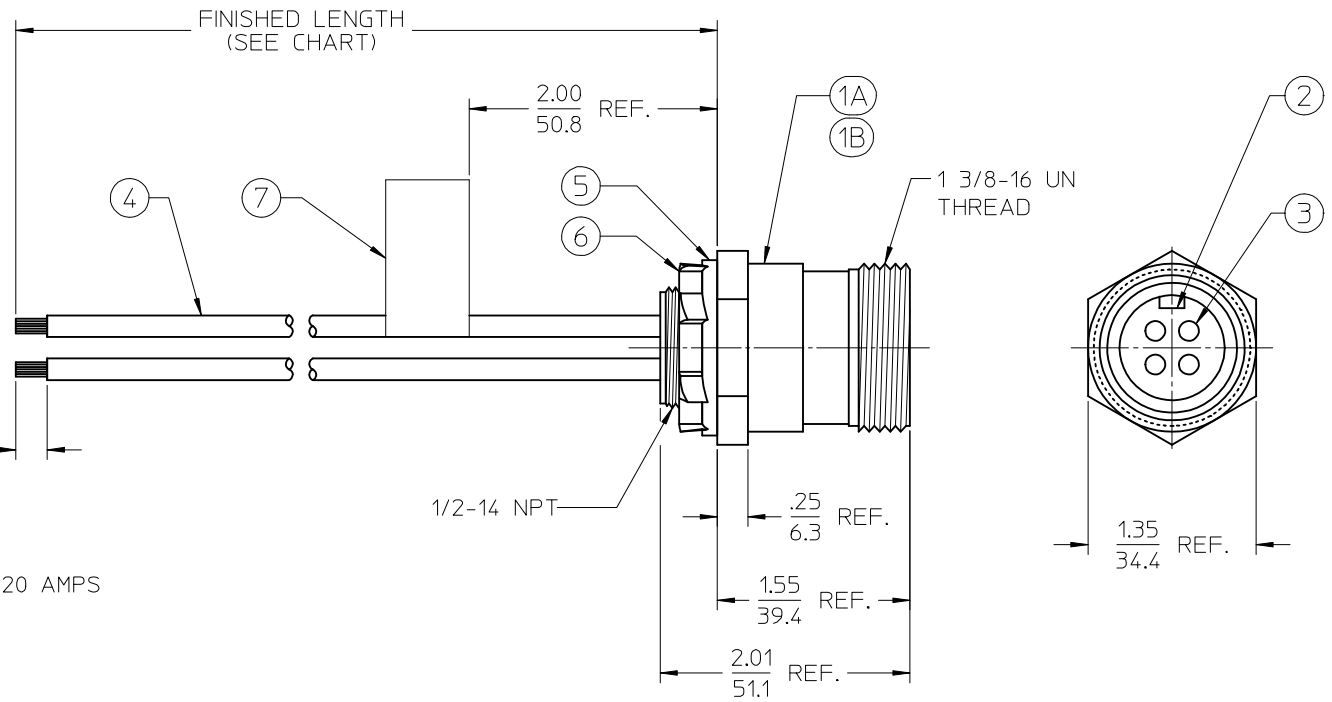


MALE FACE VIEW



POLES	MATERIAL NO.	ENGINEERING NO.	FINISHED LENGTH
2	1300030011	32032	12.00 +.75-0 (305mm +19mm-0)
3	1300030026	32357	12.00 +.75-0 (305mm +19mm-0)
4	1300030051	32680	12.00 +.75-0 (305mm +19mm-0)



- NOTES:
1. MATERIAL: SEE TABLE
 2. FINISHES: SEE TABLE
 3. ELECTRICAL SPECIFICATIONS
VOLTAGE RATING: 600V AC/DC
CURRENT RATING: 2P-25 AMPS, 3P-25 AMPS, 4P-20 AMPS
 4. XX REFERS TO POLE COUNT
 5. PROTECTION: IP67
 6. ASSEMBLY IS RoHS COMPLIANT BY EXEMPTION

7	1	FLAG LABEL	VINYL	BLACK/YELLOW
6		LOCKNUT	STEEL	ZINC PLATED
5	1	GASKET	NEOPRENE	BLACK
4	XX	WIRE, 12 AWG, UL 1015	PVC INSULATION	SEE FACE VIEW
3	XX	CONTACT PIN	Cu ALLOY	UN-PLATED
2	1	INSERT	RUBBER	YELLOW
1B	1	RECEPTACLE SHELL	OPT: ALUMINUM	CLEAR ANODIZE
1A	1	RECEPTACLE SHELL	NYLON	BLACK
ITEM	QTY.	DESCRIPTION	MATERIAL	FINISH

NEW SALES DOC
 EC NO: IPG2013-0795
 DRAWN BY: DRWHRSTONE 2012/11/28
 CHECKED: JOZWIK 2013/01/16
 APPR: JFMURPHY 2013/03/01

QUALITY SYMBOLS
 ▼=0
 ▽=0

GENERAL TOLERANCES (UNLESS SPECIFIED)

	mm	INCH
4 PLACES	± .005	± .0004
3 PLACES	± .003	± .0002
2 PLACES	± .002	± .0001
1 PLACE	± 0.3	± .012
0 PLACE	± .001	± .0001

ANGULAR ± 2 °

DRAFT WHERE APPLICABLE MUST REMAIN WITHIN DIMENSIONS

DIMENSION STYLE: IN/MM

DRAWN BY	DATE
RSTONE	2012/11/28
CHECKED BY	DATE
K JOZWIK	2013/01/16
APPROVED BY	DATE
JFMURPHY	2013/03/01

MATERIAL NO. SEE CHART

SCALE: 1:1 DESIGN UNITS: INCH THIRD ANGLE PROJECTION

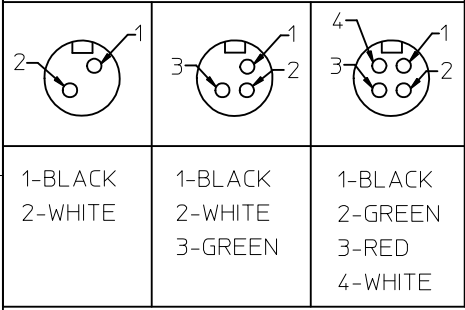
TITLE: QUICK CHANGE RECEPTACLE MALE 2-3 POLE, 12 AWG

molex

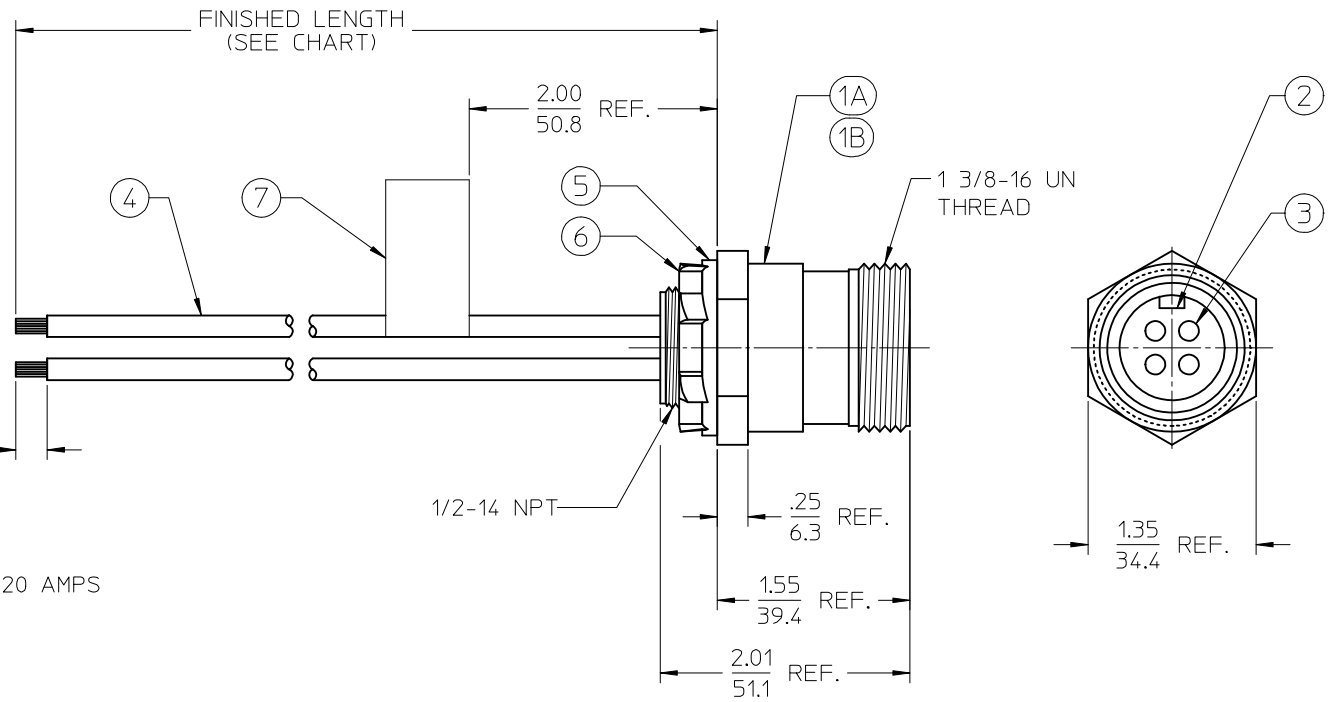
DOCUMENT NO. SD-130003-004 SHEET NO. 1 OF 1

THIS DRAWING CONTAINS INFORMATION THAT IS PROPRIETARY TO MOLEX INCORPORATED AND SHOULD NOT BE USED WITHOUT WRITTEN PERMISSION

MALE FACE VIEW



POLES	MATERIAL NO.	ENGINEERING NO.	FINISHED LENGTH
2	1300030011	32032	12.00 +.75-0 (305mm +19mm-0)
3	1300030026	32357	12.00 +.75-0 (305mm +19mm-0)
4	1300030051	32680	12.00 +.75-0 (305mm +19mm-0)



- NOTES:
1. MATERIAL: SEE TABLE
 2. FINISHES: SEE TABLE
 3. ELECTRICAL SPECIFICATIONS
VOLTAGE RATING: 600V AC/DC
CURRENT RATING: 2P-25 AMPS, 3P-25 AMPS, 4P-20 AMPS
 4. XX REFERS TO POLE COUNT
 5. PROTECTION: IP67
 6. ASSEMBLY IS RoHS COMPLIANT BY EXEMPTION

7	1	FLAG LABEL	VINYL	BLACK/YELLOW
6		LOCKNUT	STEEL	ZINC PLATED
5	1	GASKET	NEOPRENE	BLACK
4	XX	WIRE, 12 AWG, UL 1015	PVC INSULATION	SEE FACE VIEW
3	XX	CONTACT PIN	Cu ALLOY	UN-PLATED
2	1	INSERT	RUBBER	YELLOW
1B	1	RECEPTACLE SHELL	OPT: ALUMINUM	CLEAR ANODIZE
1A	1	RECEPTACLE SHELL	NYLON	BLACK
ITEM	QTY.	DESCRIPTION	MATERIAL	FINISH

NEW SALES DOC
 EC NO: IPG2013-0795
 DRAWN BY: DRWHRSTONE 2012/11/28
 CHECKED: JOZWIK 2013/01/16
 APPR: JFMURPHY 2013/03/01

QUALITY SYMBOLS	GENERAL TOLERANCES (UNLESS SPECIFIED)
▽=0	mm INCH
▽=0	4 PLACES ± --- ± ---
	3 PLACES ± --- ± ---
	2 PLACES ± --- ± .01
	1 PLACE ± 0.3 ± ---
	0 PLACE ± --- ± ---
	ANGULAR ± 2 °
	DRAFT WHERE APPLICABLE MUST REMAIN WITHIN DIMENSIONS

DIMENSION STYLE	
IN/MM	
DRAWN BY	DATE
RSTONE	2012/11/28
CHECKED BY	DATE
K JOZWIK	2013/01/16
APPROVED BY	DATE
JFMURPHY	2013/03/01
MATERIAL NO.	
SEE CHART	

SCALE 1:1 DESIGN UNITS INCH THIRD ANGLE PROJECTION

TITLE QUICK CHANGE RECEPTACLE MALE 2-3 POLE, 12 AWG

molex

DOCUMENT NO. SD-130003-004 SHEET NO. 1 OF 1

THIS DRAWING CONTAINS INFORMATION THAT IS PROPRIETARY TO MOLEX INCORPORATED AND SHOULD NOT BE USED WITHOUT WRITTEN PERMISSION