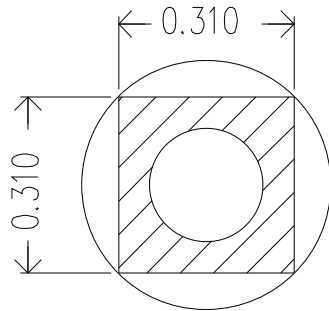
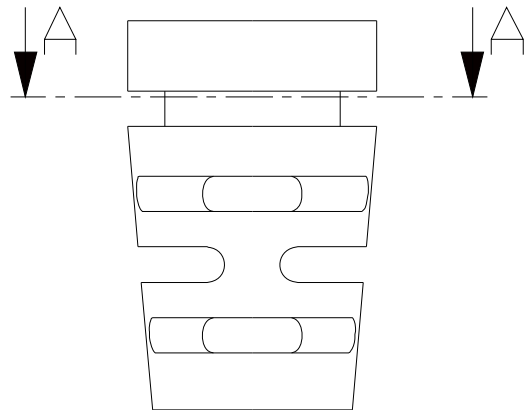
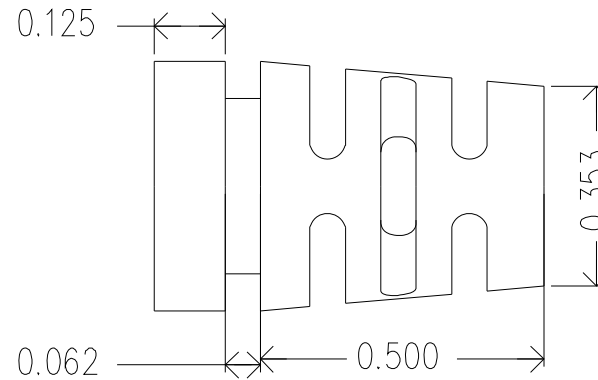
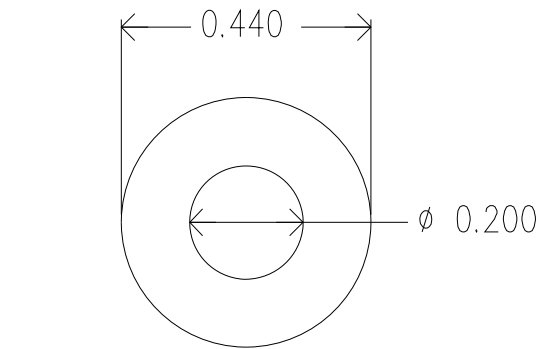
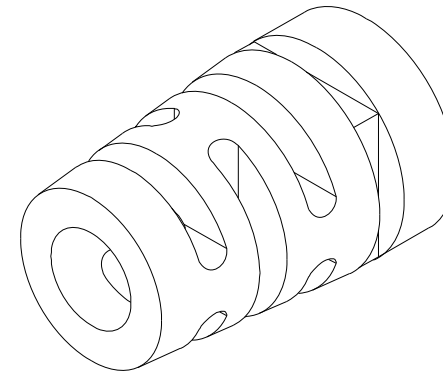


ZONE		REV.	DESCRIPTION	DATE	APPROVED



A-A



ISC ENGINEERING
CONTROLLED COPY
 Rich Fierro 07/22/2016

Mold Material: ISC P/N: 5000214, PVC, M1472, RoHS, Black

Dimensions are subject to change.
 PROPRIETARY AND CONFIDENTIAL
 THE INFORMATION CONTAINED IN THIS DRAWING IS THE SOLE PROPERTY OF ISC ENGINEERING. ANY REPRODUCTION IN PART OR AS A WHOLE WITHOUT THE WRITTEN PERMISSION OF ISC ENGINEERING IS PROHIBITED.

		DIMENSIONS ARE IN INCHES		NAME		DATE		ISC Engineering	
		TOLERANCES:		DRAWN		08/06/03		4351 Schoefer Ave, Chino, CA 91710	
		FRACTIONAL ±		CHECKED				Ph: 909-596-3315 Fax: 909-596-3335	
		ANGULAR: MACH ±		ENG APPR				www.iscengineering.com	
		BEND ±		MFG APPR				www.overmoldtooling.com	
		TWO PLACE DECIMAL ±		Q.A.				1461080-.200-.062-.310X.310-.440-0	
		THREE PLACE DECIMAL ±		COMMENTS:					
MATERIAL		--		SIZE		DWG. NO.		REV.	
NEXT ASSY		USED ON		A		1467104			
APPLICATION		DO NOT SCALE DRAWING		SCALE: 5:1		WEIGHT:		SHEET 1 OF 1	