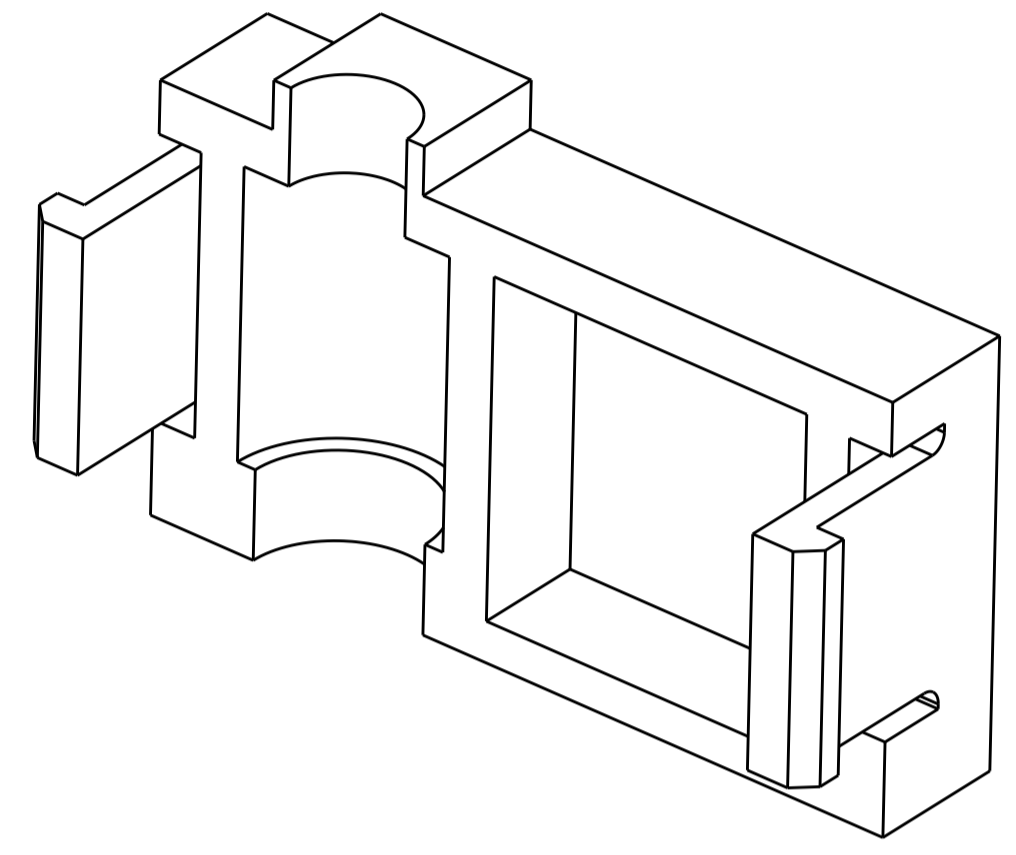
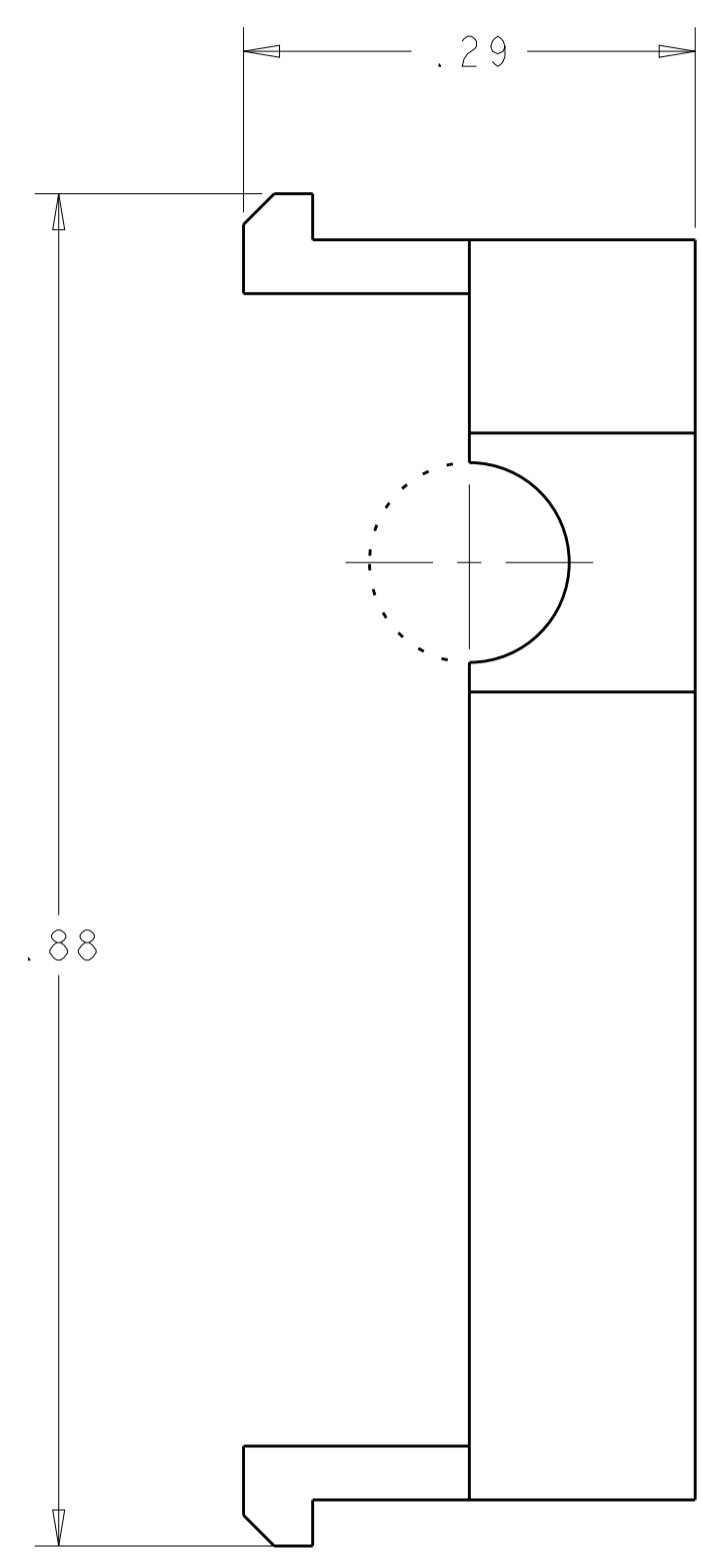
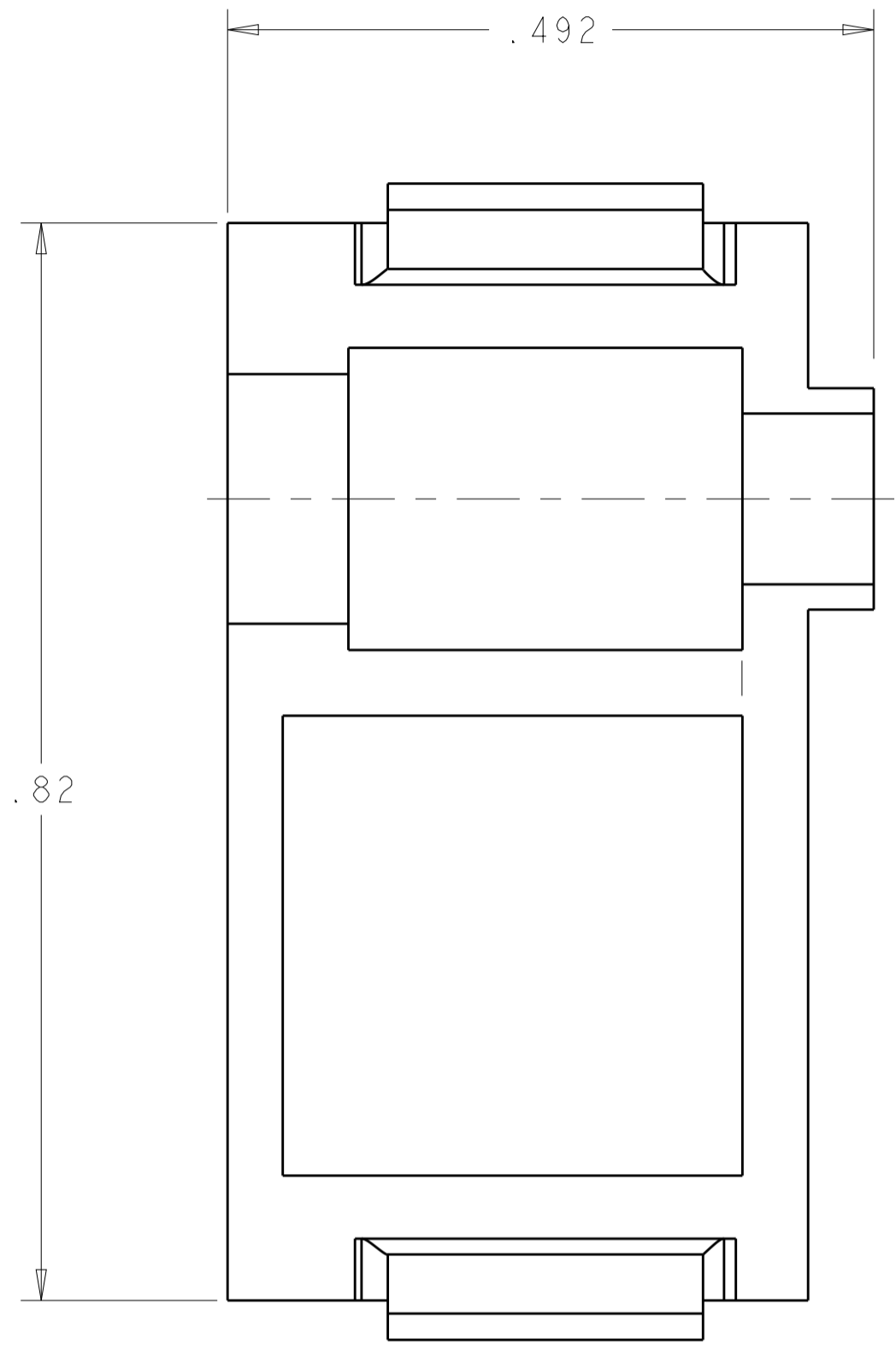
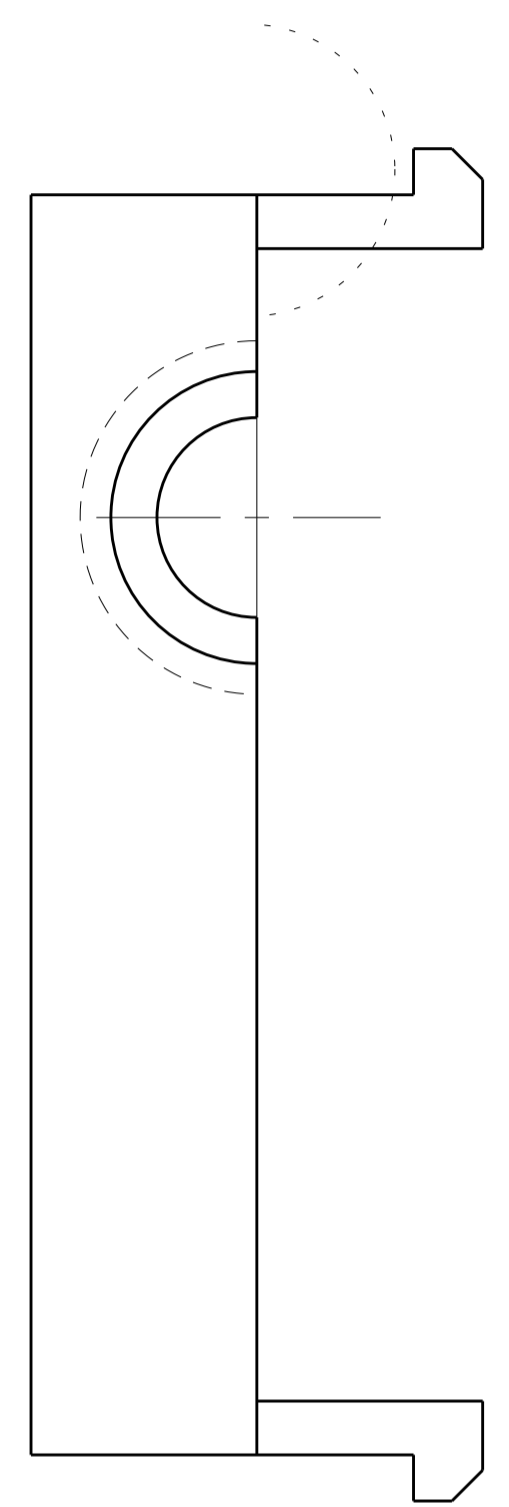
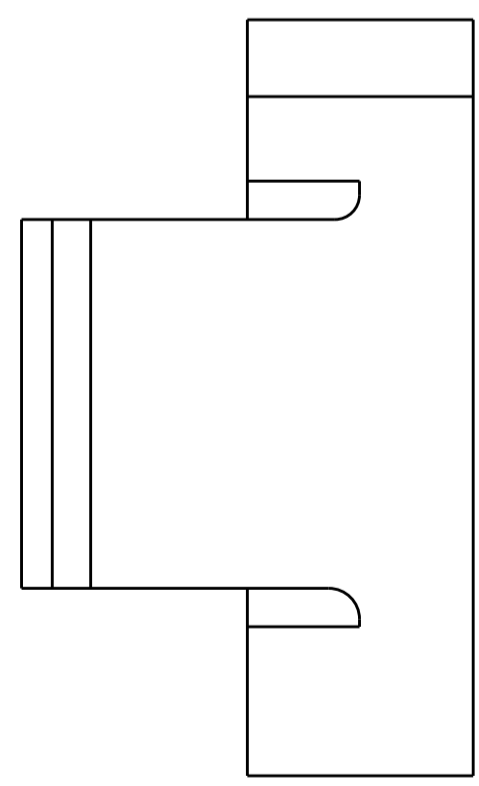


REVISIONS				
P.	LTN	DESCRIPTION	DATE	APPRO
A	INITIAL		28AUG2019	OL SZ

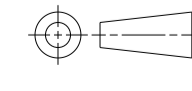


SCALE 6:1



1. MATERIAL: THERMO PLASTIC;BLACK

AS SHOWN	1650681-1
DESCRIPTION	PART NO.

THIS DRAWING IS A CONTROLLED DOCUMENT.		DWN: ORANDO LL 28AUG2019	TE Connectivity	
DIMENSIONS: INCHES		CHK: SUNY ZHAO 28AUG2019	<b>TE</b>	
TOLERANCES UNLESS OTHERWISE SPECIFIED: 0 PLC ±. 1 PLC ±. 2 PLC ±.02 3 PLC ±.01 4 PLC ±. ANGLES ±.5		APPR: SUNY ZHAO 28AUG2019		
		PRODUCT SPEC	NAME: INSERT, PIN, G MODULE (SNAP-IN), DOMINO SERIES CONNECTOR, PN: 750-24-0320G	
MATERIAL: -		APPLICATION SPEC	SIZE: A   00779   C=1650681	
FINISH: finish_spec_2		WEIGHT: -	RESTRICTED TO: -	
CUSTOMER DRAWING		SCALE: 8:1	SHEET 1 OF 1 REV A	