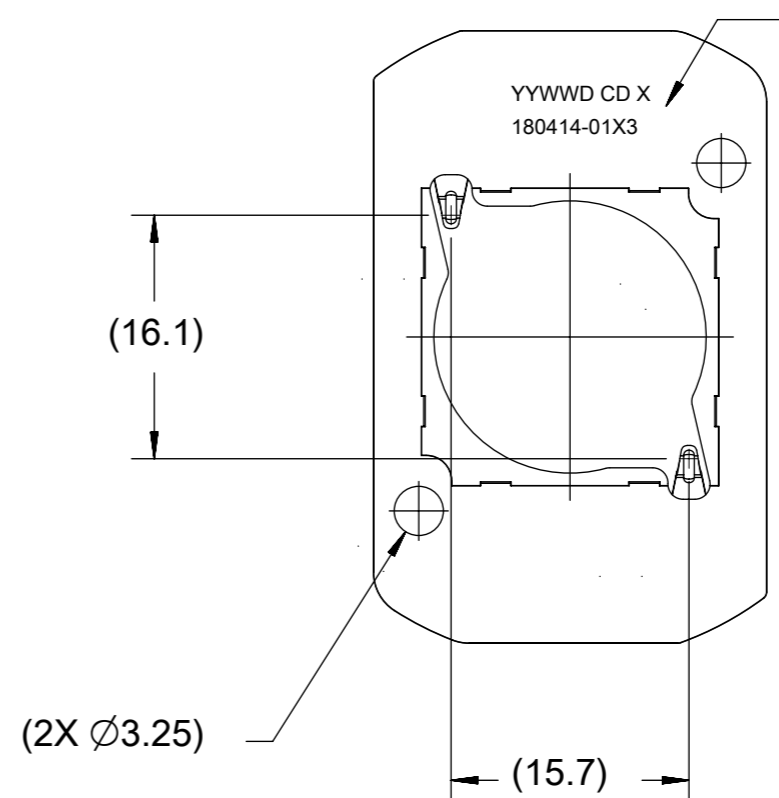
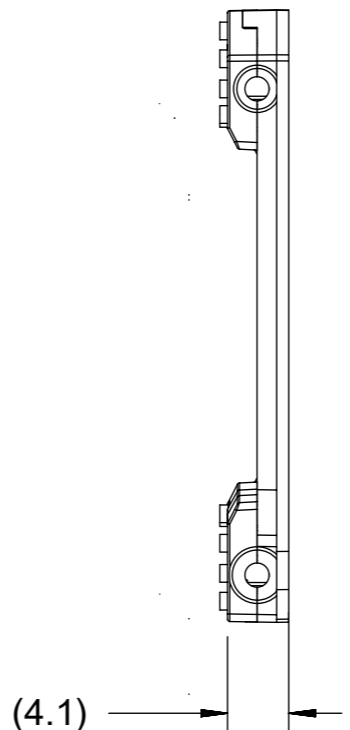
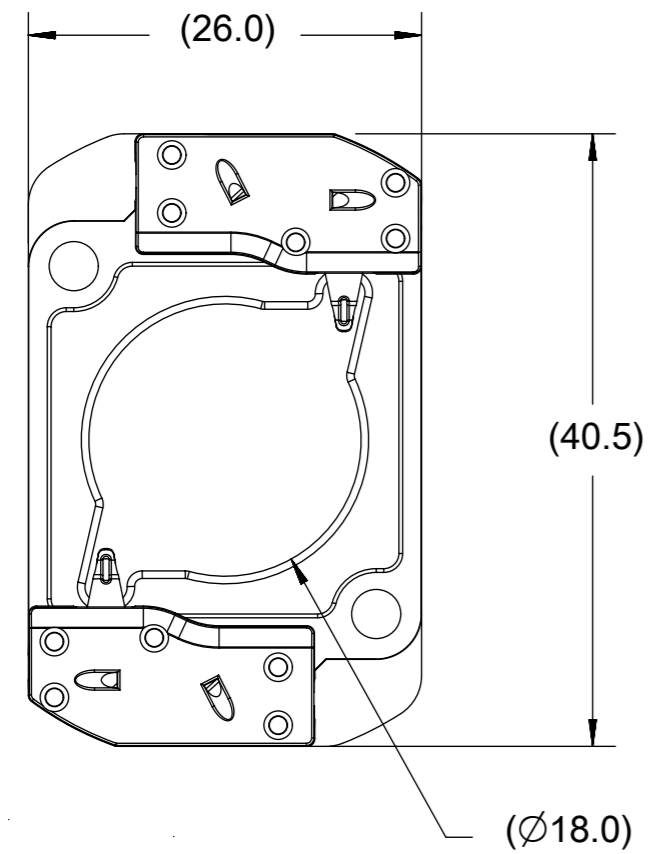
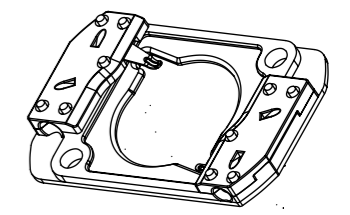


PART NUMBER	DESCRIPTION	MATERIAL	AGENCY APPROVAL
180414-0103	COB LED HOLDER 19.0MM X 19.0MM SQUARE	POLYAMIDE (PA66) GLASS FILLED, COLOR: NATURAL	UL496 FILE E345583
180414-0113	COB LED HOLDER 19.0MM X 19.0MM SQUARE	POLYESTER (PBT) GLASS FILLED, COLOR: WHITE	UL496 FILE E345583
180414-0213	COB LED HOLDER 19.0MM X 19.0MM SQUARE WITH TAB CAP	POLYESTER (PBT) GLASS FILLED, COLOR: WHITE	UL496 FILE E345583

HOLDER ASSEMBLY
P/N 180414-0103
P/N 180414-0113



PART MARKED WITH
DATE CODE (YYWWDD)
MFG PLANT (CD)
REVISION (X)
PART NUMBER (180414-01X3)

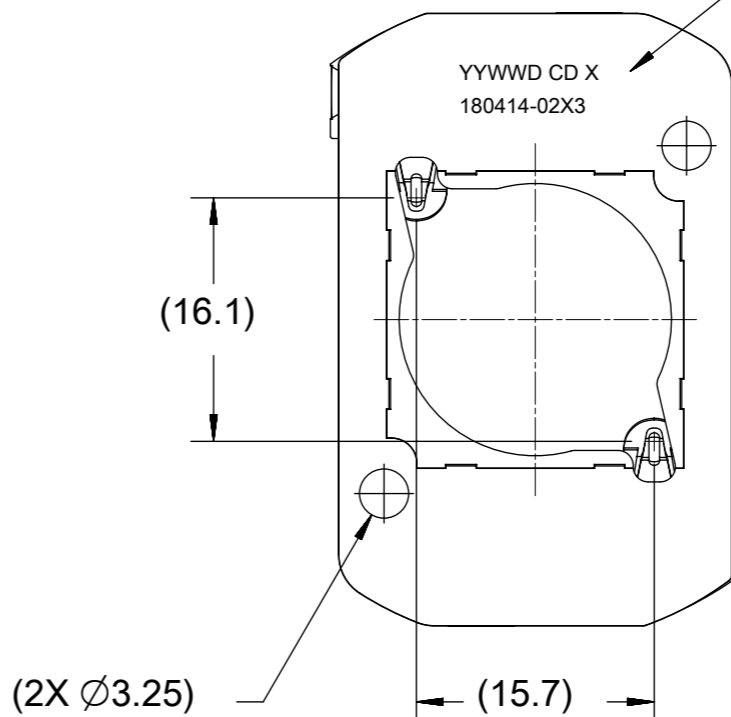
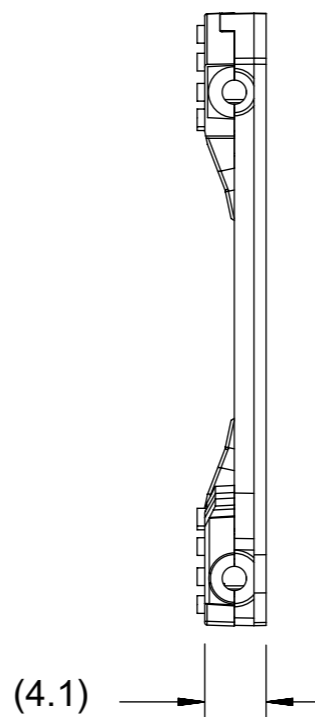
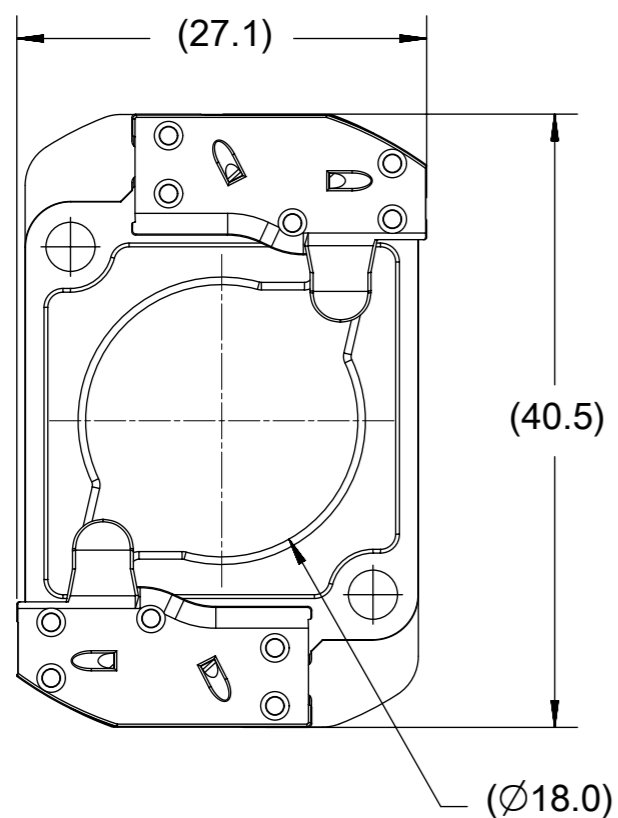


ISOMETRIC VIEW 1
SCALE 1:1

- NOTES:
1. MATERIALS: HOUSING: SEE CHART; TERMINAL: COPPER ALLOY
 2. FINISHES: TERMINAL: NICKEL (Ni) UNDERPLATE 1.27 µm, SELECT TIN (Sn) 2.54µm, SELECT GOLD (Au) 0.76µm
 3. PRODUCT SPECIFICATION: PS-180414-001
 4. PACKAGING SPECIFICATION: PK-180419-006
 5. APPLICATION SPECIFICATION: AS-180412-001
 6. SEE SHEET 3 FOR APPLICATION NOTES
 7. ELV AND ROHS COMPLIANT
 8. ALL DIMENSIONS IN PARENTHESIS (XX.XX) ARE FOR REFERENCE ONLY.

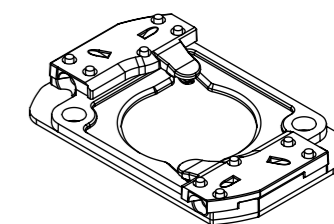
THIS DRAWING CONTAINS INFORMATION THAT IS PROPRIETARY TO MOLEX ELECTRONIC TECHNOLOGIES, LLC AND SHOULD NOT BE USED WITHOUT WRITTEN PERMISSION		CURRENT REV DESC: OBSOLETE PART NO.		molex	
DIMENSION UNITS	SCALE	EC NO: 632260			
mm	1:1	DRWN: RPRABHUM 2020/01/31		PRODUCT CUSTOMER DRAWING	
GENERAL TOLERANCES (UNLESS SPECIFIED)		CHK'D: GGA 2020/02/28		DOCUMENT NUMBER	
ANGULAR TOL ± 0.5°		APPR: GGA 2020/02/28		SD-180414-103	
4 PLACES ±		INITIAL REVISION:		DOC TYPE	
3 PLACES ±		DRWN: MCOLE 2012/05/24		PSD	
2 PLACES ± 0.13		APPR: DMCGOWAN 2012/08/06		DOC PART	
1 PLACE ± 0.25				001	
0 PLACES ±				REVISION	
DRAFT WHERE APPLICABLE MUST REMAIN WITHIN DIMENSIONS		THIRD ANGLE PROJECTION	DRAWING	SERIES	SHEET NUMBER
			A3-SIZE	180414	1 OF 4
		MATERIAL NUMBER		CUSTOMER	
				GENERAL MARKET	

HOLDER ASSEMBLY WITH TAB CAP
P/N 180414-0213



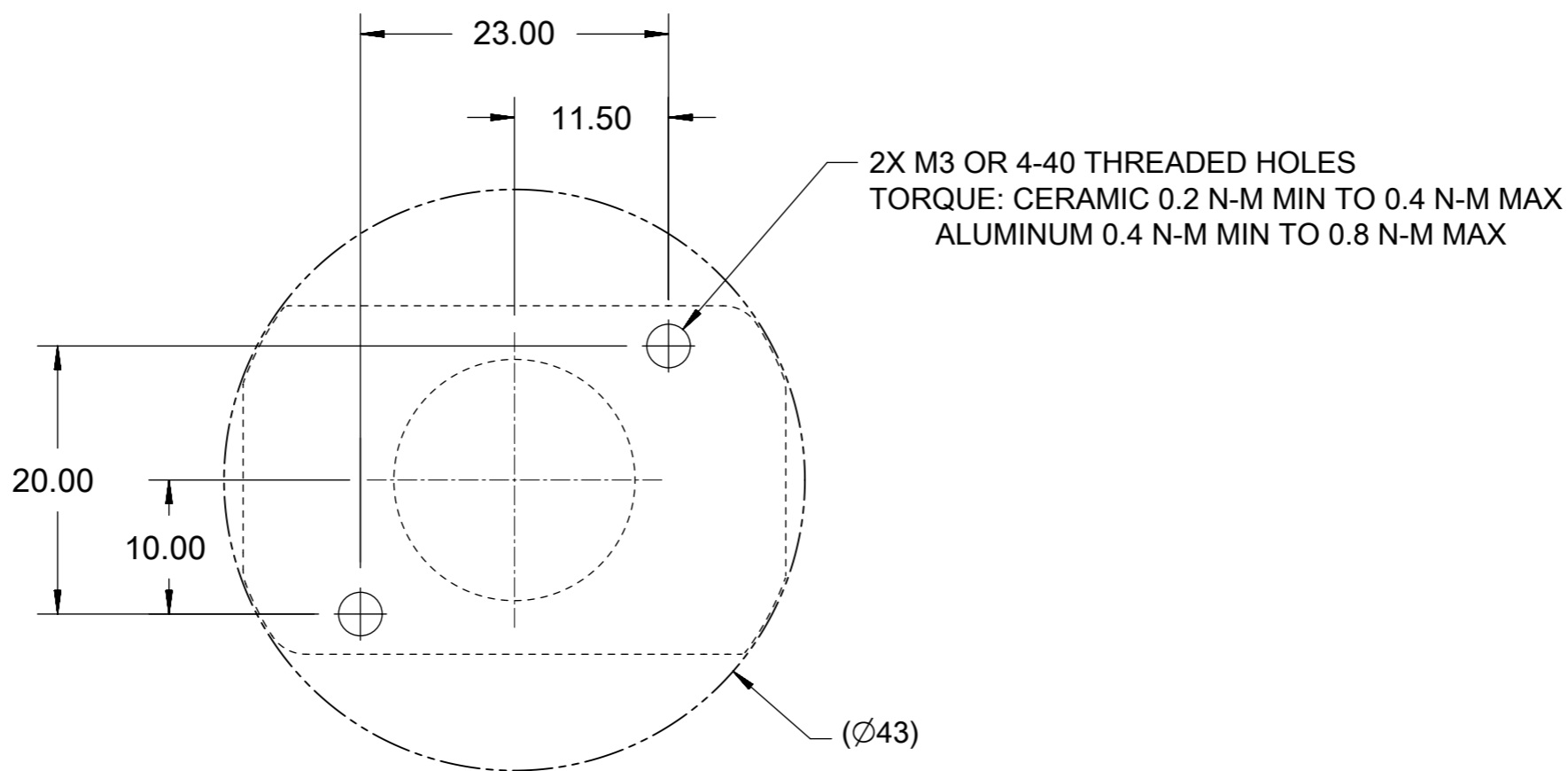
PART MARKED WITH
DATE CODE (YYWWD)
MFG PLANT (CD)
REVISION (X)
PART NUMBER (180414-02X3)

YYWWD CD X
180414-02X3



ISOMETRIC VIEW 2
SCALE 1:1

THIS DRAWING CONTAINS INFORMATION THAT IS PROPRIETARY TO MOLEX ELECTRONIC TECHNOLOGIES, LLC AND SHOULD NOT BE USED WITHOUT WRITTEN PERMISSION									
DIMENSION UNITS mm		SCALE 1:1		CURRENT REV DESC: OBSOLETE PART NO.				molex	
GENERAL TOLERANCES (UNLESS SPECIFIED)				EC NO: 632260					
ANGULAR TOL ± 0.5°				DRWN: RPRABHUM 2020/01/31				COB LED HOLDER	
4 PLACES ±				CHK'D: GGA 2020/02/28				19.0 MM X 19.0 MM SQUARE	
3 PLACES ±				APPR: GGA 2020/02/28				PRODUCT CUSTOMER DRAWING	
2 PLACES ± 0.13				INITIAL REVISION:				DOCUMENT NUMBER	
1 PLACE ± 0.25				DRWN: MCOLE 2012/05/24				SD-180414-103	
0 PLACES ±				APPR: DMCGOWAN 2012/08/06				DOC TYPE DOC PART REVISION	
DRAFT WHERE APPLICABLE MUST REMAIN WITHIN DIMENSIONS				THIRD ANGLE PROJECTION		DRAWING		SHEET NUMBER	
				A3-SIZE		SERIES		CUSTOMER	
				180414		GENERAL MARKET		2 OF 4	



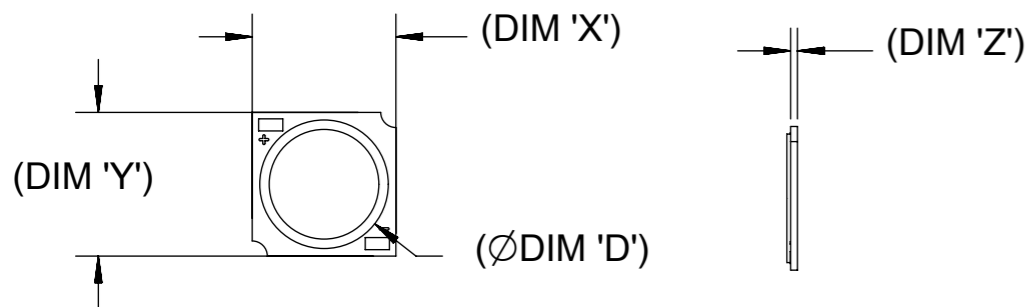
RECOMMENDED MOUNTING DIMENSIONIS

NOTES:

1. WIRE GAUGE: 18, 20, OR 22 AWG, SOLID OR STRANDED WITH TIN OVERCOAT. STRIP LENGTH 10MM +2.0/-0.0MM. RECOMMENDED MAXIMUM DIAMETER AFTER TINNING: 1.40MM. LARGER DIAMETER WIRES ARE ACCEPTABLE IF FULLY INSERTABLE IN WIRE TRAP AND NO WITHDRAWAL WITHIN 20N FORCE.

THIS DRAWING CONTAINS INFORMATION THAT IS PROPRIETARY TO MOLEX ELECTRONIC TECHNOLOGIES, LLC AND SHOULD NOT BE USED WITHOUT WRITTEN PERMISSION									
DIMENSION UNITS mm		SCALE 1:1		CURRENT REV DESC: OBSOLETE PART NO.				molex	
GENERAL TOLERANCES (UNLESS SPECIFIED)				EC NO: 632260					
ANGULAR TOL ± 0.5°		4 PLACES ±		DRWN: RPRABHUM 2020/01/31		COB LED HOLDER		19.0 MM X 19.0 MM SQUARE	
3 PLACES ±		2 PLACES ± 0.13		CHK'D: GGA 2020/02/28		PRODUCT CUSTOMER DRAWING			
1 PLACE ± 0.25		INITIAL REVISION:		APPR: GGA 2020/02/28		DOCUMENT NUMBER		DOC TYPE DOC PART REVISION	
0 PLACES ±		DRWN: MCOLE 2012/05/24		APPR: DMCGOWAN 2012/08/06		SD-180414-103		PSD 001 B5	
DRAFT WHERE APPLICABLE MUST REMAIN WITHIN DIMENSIONS		THIRD ANGLE PROJECTION		DRAWING		SERIES		MATERIAL NUMBER	
		A3-SIZE		180414		CUSTOMER		GENERAL MARKET	
								SHEET NUMBER	
								3 OF 4	

COB MFG	TYPE	DIM 'X'	DIM 'Y'	DIM 'Z'	DIM 'D'
CITIZEN	CLL030, CLL032, CLU034, CLU036, CLU038	19.0	19.0	0.90	17.0
TRIDONIC	SLE G5 LES15	19.0	19.0	0.90	15.0
SEOUL	ZC12, ZC18	19.0	19.0	0.90	16.0
CITIZEN	CLU720, CLU721	19.0	19.0	0.90	13.5
EVERLIGHT	EAHP1919WA*, EAHP1919WB*, EAHP1919WC*	19.0	19.0	0.90	15.5
EVERLIGHT	EA1919 36V/16W	19.0	19.0	0.90	15.5
EVERLIGHT	EA1919 36V/19W	19.0	19.0	0.90	15.5
EVERLIGHT	EA1919 36V/26W	19.0	19.0	0.90	15.5
VOSSLOH-SCHWABE	DMC114C	19.0	19.0	1.00	11.9
VOSSLOH-SCHWABE	DMC124***F, DMC125***F	19.0	19.0	1.00	13.1
VOSSLOH-SCHWABE	DMC125C	19.0	19.0	1.00	13.1
VOSSLOH-SCHWABE	DMC128***F	19.0	19.0	1.00	15.8
BRIDGELUX	H15	19.0	19.0	1.10	16.5
BRIDGELUX	GEN. 7 V13	19.0	19.0	1.00	15.0



COB LED
SCALE 1:1

THIS DRAWING CONTAINS INFORMATION THAT IS PROPRIETARY TO MOLEX ELECTRONIC TECHNOLOGIES, LLC AND SHOULD NOT BE USED WITHOUT WRITTEN PERMISSION									
DIMENSION UNITS	SCALE	CURRENT REV DESC: OBSOLETE PART NO.							
mm	1:1								
GENERAL TOLERANCES (UNLESS SPECIFIED)									
ANGULAR TOL	± 0.5°	EC NO:	632260	COB LED HOLDER					
4 PLACES	±	DRWN:	RPRABHUM	2020/01/31	19.0 MM X 19.0 MM SQUARE				
3 PLACES	±	CHK'D:	GGA	2020/02/28	PRODUCT CUSTOMER DRAWING				
2 PLACES	± 0.13	APPR:	GGA	2020/02/28	DOCUMENT NUMBER				
1 PLACE	± 0.25	INITIAL REVISION:		DRWN:		2012/05/24	SD-180414-103		
0 PLACES	±	APPR:		DMCGOWAN		2012/08/06	PSD	001	B5
DRAFT WHERE APPLICABLE MUST REMAIN WITHIN DIMENSIONS		THIRD ANGLE PROJECTION	DRAWING	SERIES	MATERIAL NUMBER	CUSTOMER	SHEET NUMBER		
			A3-SIZE	180414		GENERAL MARKET	4 OF 4		