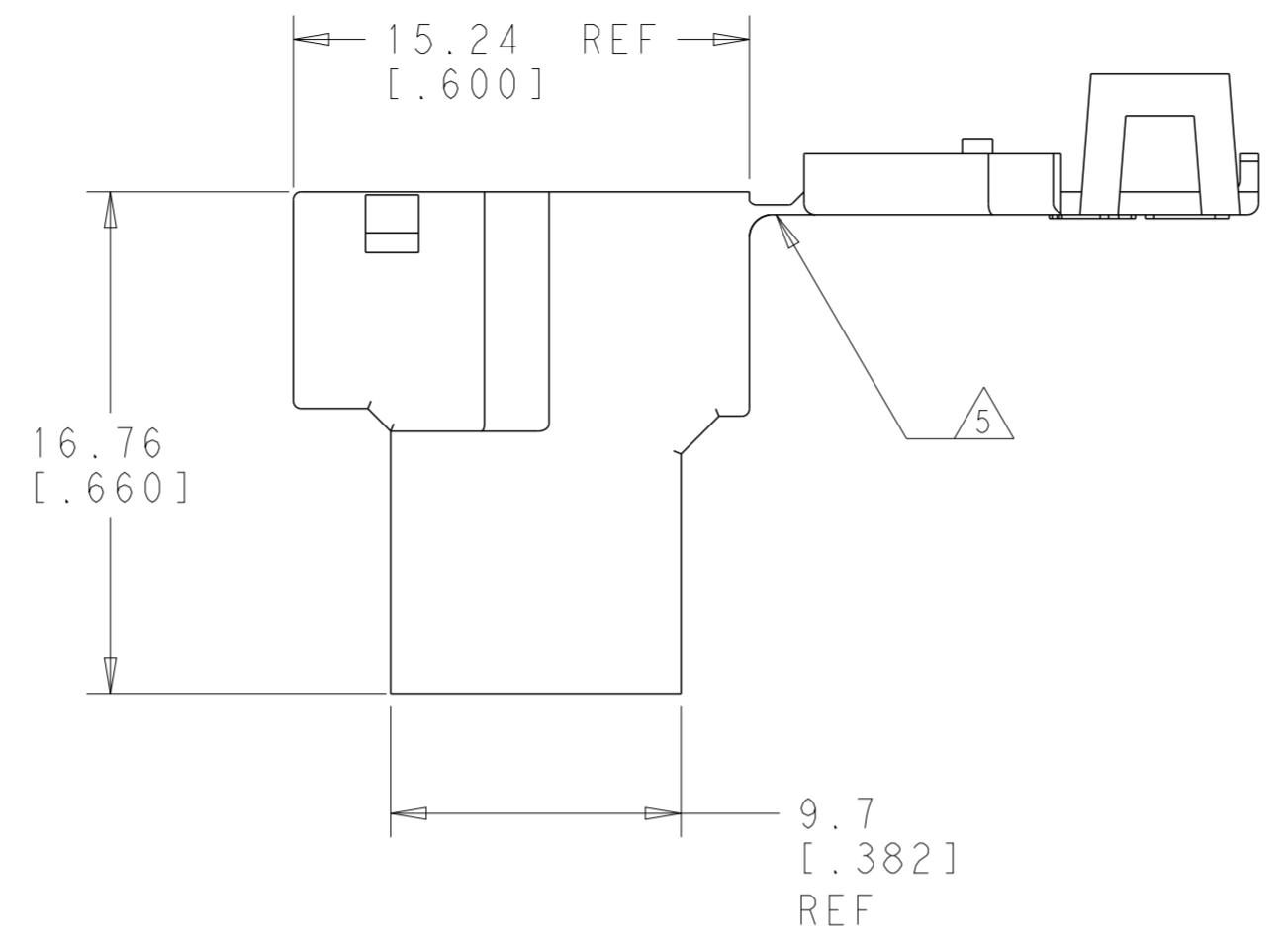
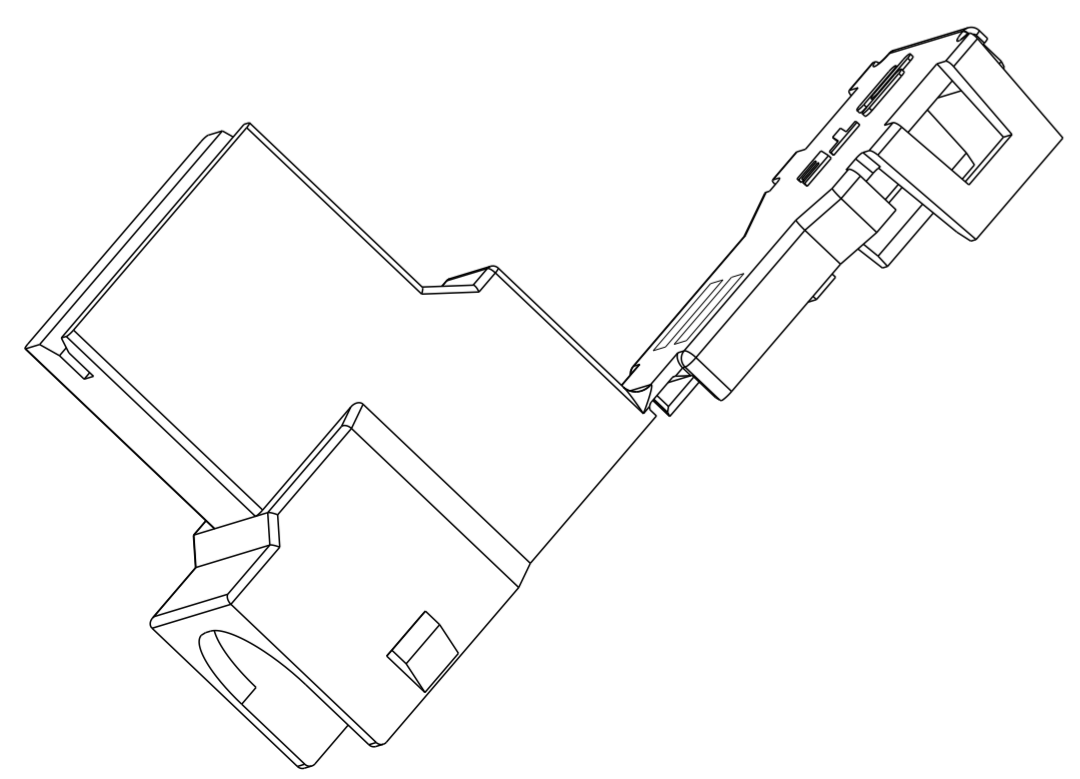
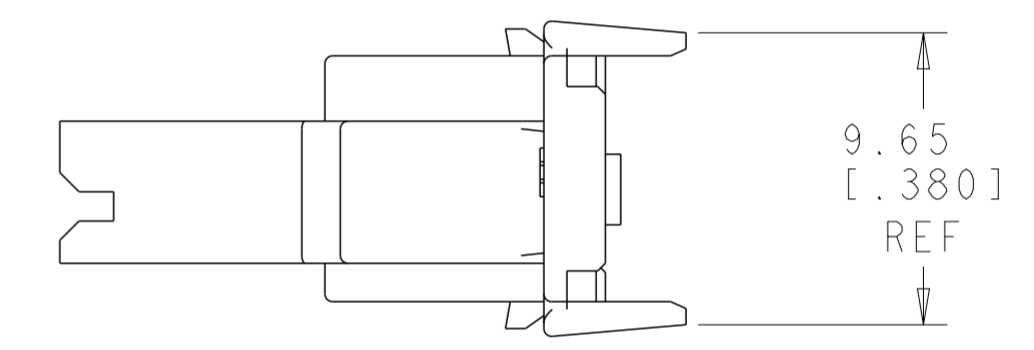
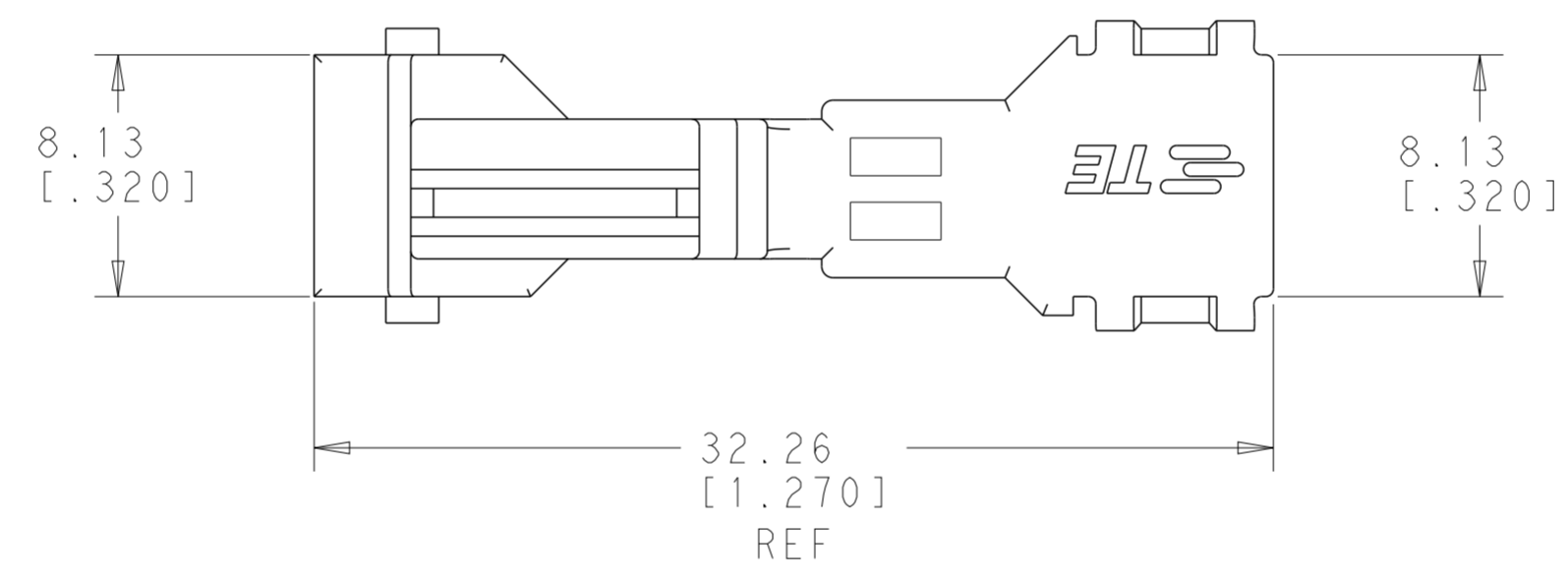
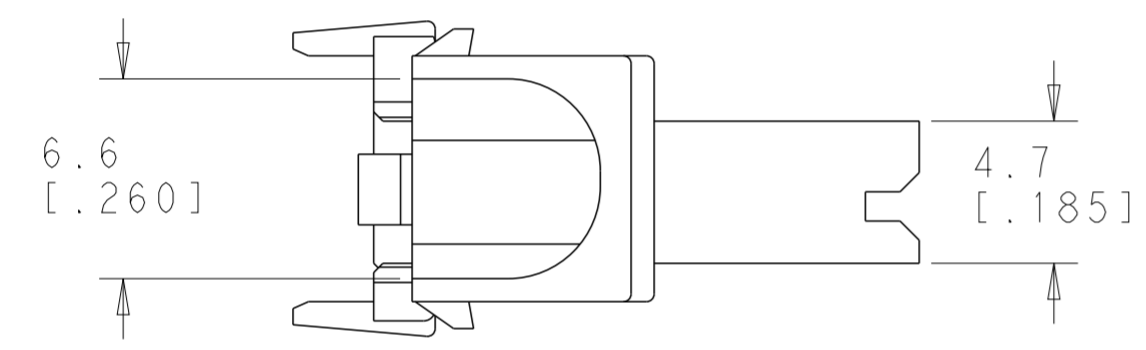


THIS DRAWING IS UNPUBLISHED. RELEASED FOR PUBLICATION 20
 © COPYRIGHT 20 BY - ALL RIGHTS RESERVED.

LOC	DIST	REVISIONS			
P	LTR	DESCRIPTION	DATE	DWN	APVD
AF	50	B5	REVISED PER ECO-18-007263	09MAY2018	RS DS
		B6	REVISED PER ECR-19-006167	07MAY2019	BDA DH
		B7	REVISED PER ECR-19-017221	28JAN2020	BDA DS
		C	REVISED PER ECN-22-147652	08APR2022	MK ES



- ① MATERIAL -NATURAL, 6 NYLON, 150°C, V0
- ② MATERIAL -BLACK, 6 NYLON, 150°C, V0
- ③ MATERIAL -NATURAL, 66 NYLON, V2, GLOW WIRE MATERIAL
- ④ MATERIAL - NATURAL 66 NYLON V0, GLOW WIRE MATERIAL
- 5 REFER TO SPECIFICATION 408-143119 FOR GUIDANCE ON RE-MOISTURIZATION AND PART STORAGE



SUPERSEDED BY 1969507-9

④	1969507-9
③	1969507-4
②	1969507-3
①	1969507-2
MATERIAL	PART NO.

THIS DRAWING IS A CONTROLLED DOCUMENT.		DWN	JR RUTH	03APR12	TE Connectivity	NAME			
DIMENSIONS: mm [INCHES]		CHK	PETE DESANTIS	03APR12		HOUSING, RECEPTACLE, FLAG FASTON, CLOSED BACK, .250 SERIES			
TOLERANCES UNLESS OTHERWISE SPECIFIED:		APVD	PETE DESANTIS	03APR12		SIZE	CAGE CODE	DRAWING NO	RESTRICTED TO
0 PLC ± 1 PLC ± 2 PLC ±0.38 [.015] 3 PLC ± 4 PLC ± ANGLES ± FINISH ±		PRODUCT SPEC				A2	00779	C-1969507	-
MATERIAL		APPLICATION SPEC			WEIGHT	CUSTOMER DRAWING		SCALE 4:1	
SEE TABLE						SHEET 1 OF 1	REV C		