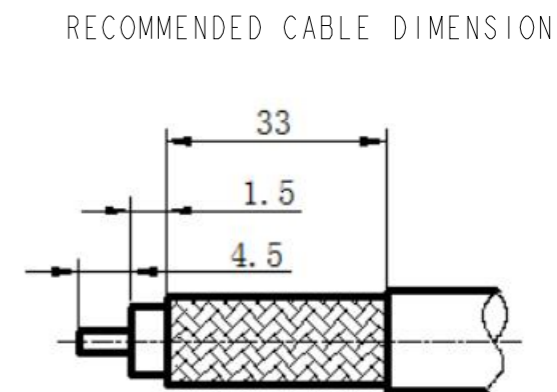
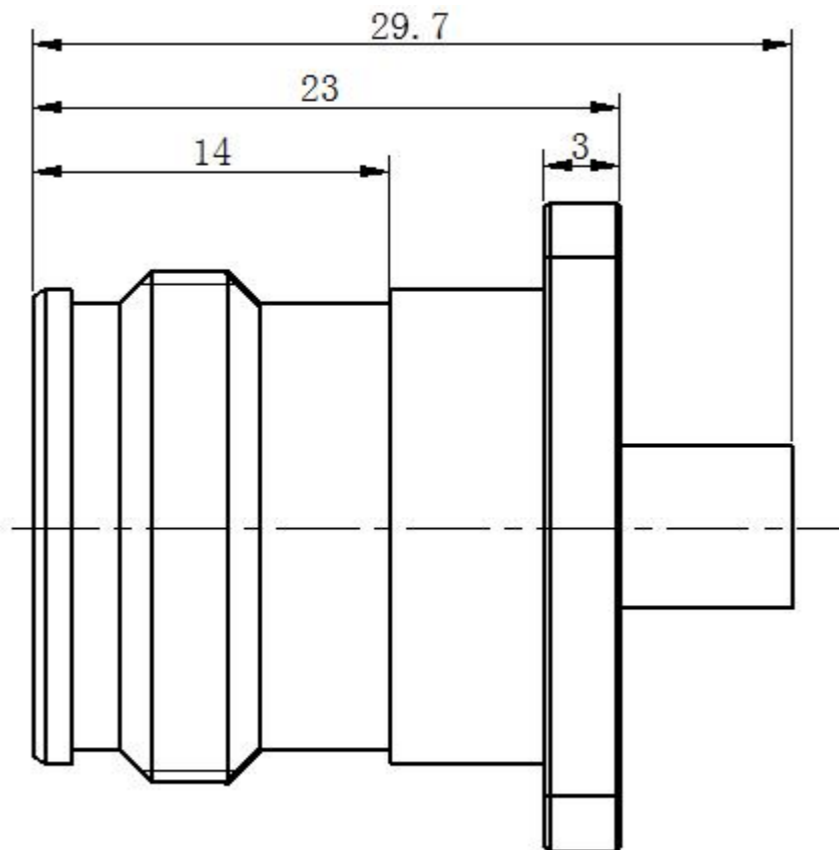
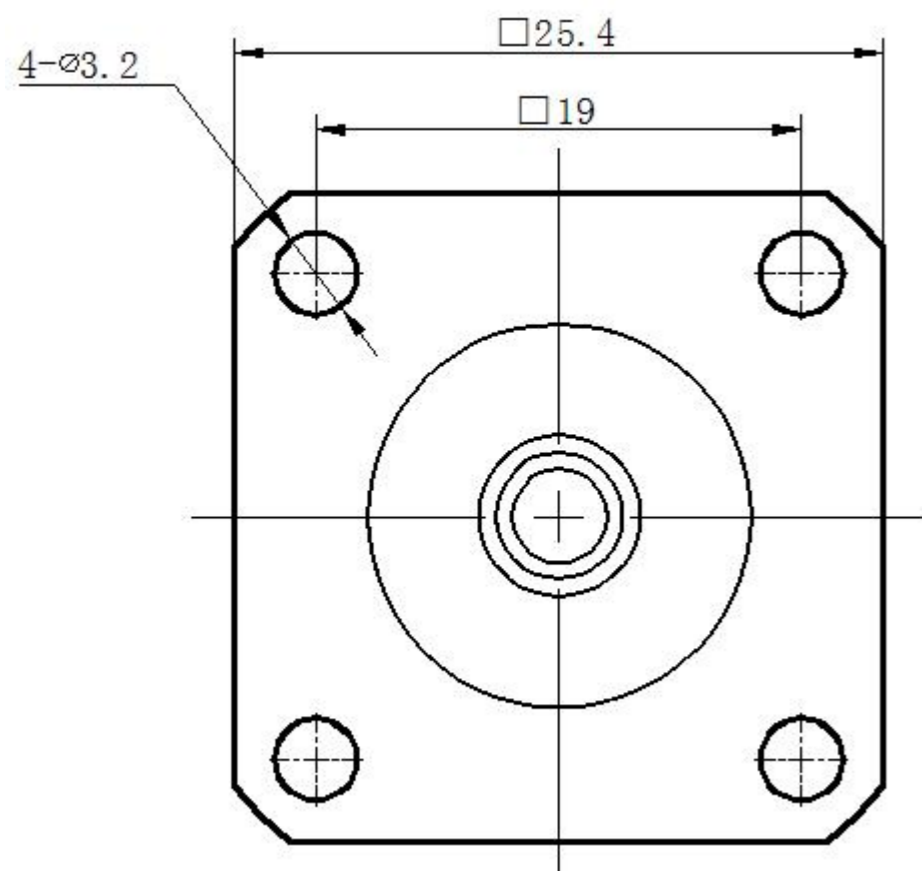


ELECTRICAL	MECHANICAL	ENVIRONMENTAL
IMPEDANCE <u>50 Ohm</u> FREQUENCY RANGE <u>DC to 6GHz</u> INSERTION LOSS: <u>Max. 0.05*SQRT(F) dB</u> VSWR: <u>Max. 1.15@0-3GHz</u> <u>Max. 1.20@3-6GHz</u> DIELECTRIC WITHSTAND VOLTAGE: <u>Max. 1500 V RMS</u> INSULATION RESISTANCE <u>Min. 5000 Mohms</u> PIM3: <u>Max. -160dBc @2x20W, 900MHz, 1800MHz,</u> <u>2100MHz tested with cable</u>	MATING CYCLES: <u>MIN. 100 CYCLES</u> RECOMMENDED TORQUE: <u>5Nm</u> CABLE PULLING: <u>150N MIN.</u> CABLE TORSION: <u>0.06Nm MIN.</u>	TEMPERATURE RANGE: <u>-40°~+85°C</u> SALT SPRAY: <u>96H</u> INTERFACE SEAL: <u>IP68(1m, 24h) MATED</u> PANEL SEAL: <u>N/A</u>

P	LTR	DESCRIPTION	DATE	DWN	APVD



NOTE:

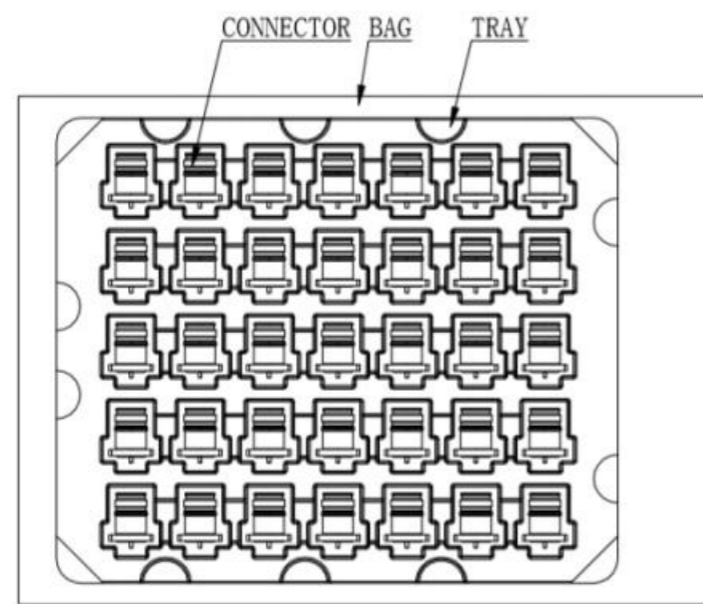
1. INTERFACE ACCORDING TO IEC 61169-54
2. CENTER CONTACT WITH AN INSULATOR, CLIP AND SLEEVE, ARE SPARE PARTS, AND WILL BE PACKAGED SEPARATELY IN BAG

P/N	PART NAME	MATERIAL	PLATING
2081973-1	CENTER CONTACT	BRONZE	SILVER
	OUTER CONTACT	BRONZE	SILVER
	BODY	BRASS	WHITE BRONZE
	INSULATOR	PTFE	
	CLIP	PTFE	
	SLEEVE	BRASS	SILVER

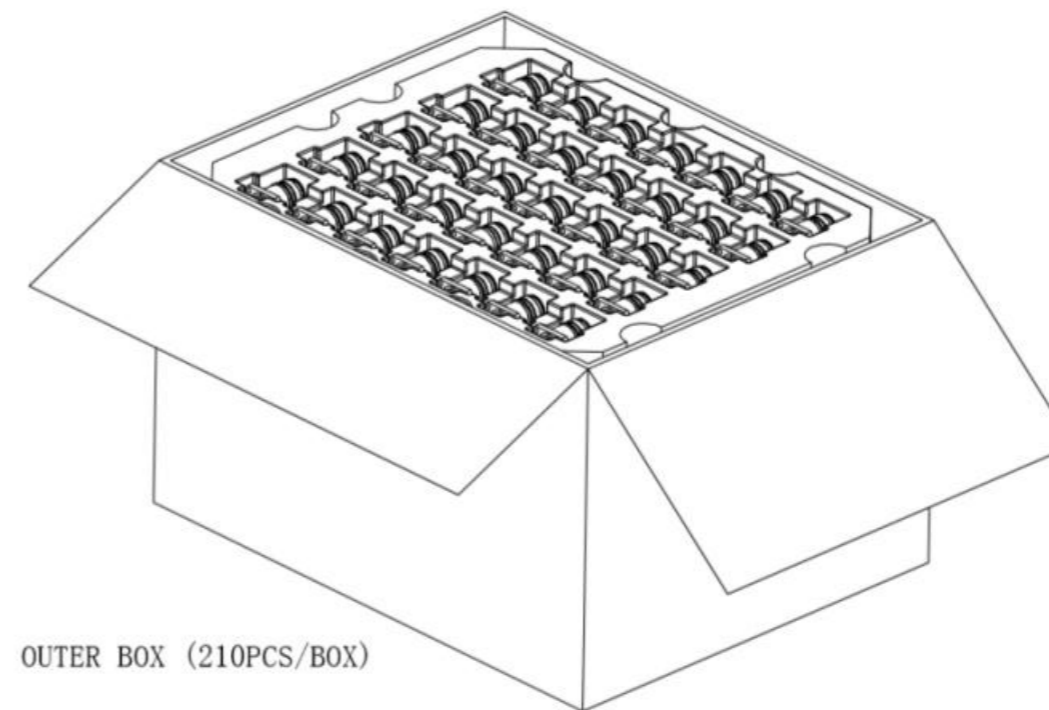
THIS DRAWING IS A CONTROLLED DOCUMENT.		DWN JZ	10MAR2020	TE Connectivity													
DIMENSIONS: mm		CHK RZ	10MAR2020														
TOLERANCES UNLESS OTHERWISE SPECIFIED:		APVD RS	10MAR2020	NAME 4.3-10 STRAIGHT JACK FOR RG141 CABLE SOLDER TYPE, 4 HOLES SQUARE FLANGE													
<table border="0"> <tr> <td>0 PLC</td> <td>±0.2</td> </tr> <tr> <td>1 PLC</td> <td>±0.2</td> </tr> <tr> <td>2 PLC</td> <td>±0.2</td> </tr> <tr> <td>3 PLC</td> <td>±0.2</td> </tr> <tr> <td>4 PLC</td> <td>±0.2</td> </tr> <tr> <td>ANGLES</td> <td>±</td> </tr> </table>		0 PLC	±0.2	1 PLC	±0.2	2 PLC	±0.2	3 PLC	±0.2	4 PLC	±0.2	ANGLES	±	PRODUCT SPEC 108-115175		SIZE A3	
0 PLC	±0.2																
1 PLC	±0.2																
2 PLC	±0.2																
3 PLC	±0.2																
4 PLC	±0.2																
ANGLES	±																
MATERIAL SEE TABLE		APPLICATION SPEC 408-160017		CAGE CODE 00779	DRAWING NO C-2081973												
FINISH SEE TABLE		WEIGHT 41g		RESTRICTED TO -													
-		CUSTOMER DRAWING		SCALE 1:1	SHEET 1 OF 2												
-				REV A													

REVISIONS

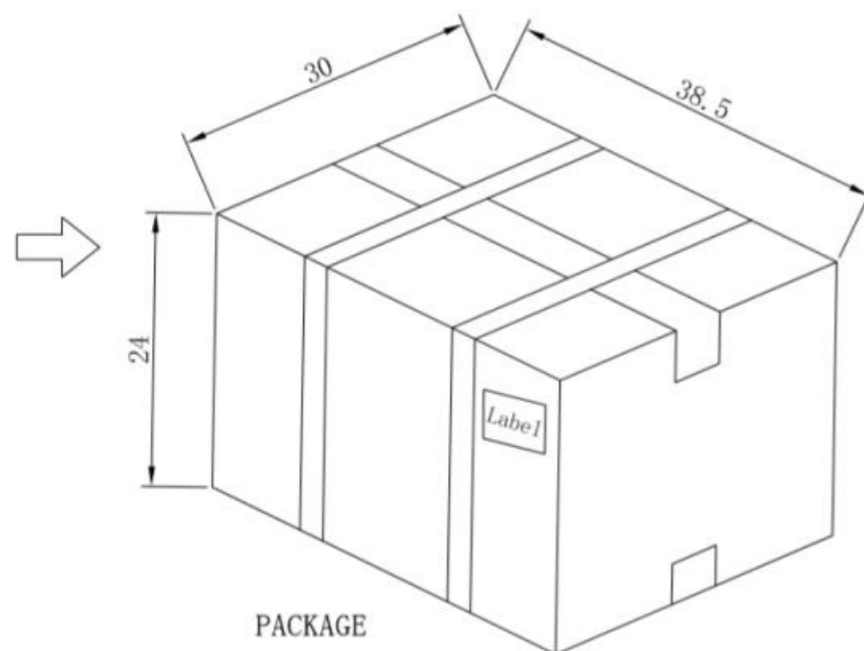
P	LTR	DESCRIPTION	DATE	DWN	APVD



TRAY PACKAGE


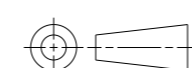


OUTER BOX (210PCS/BOX)



PACKAGE

(BOX SIZE ONLY FOR REFERENCE, UNIT: CM)

THIS DRAWING IS A CONTROLLED DOCUMENT.		DWN JZ	10MAR2020	 TE Connectivity	
DIMENSIONS: mm		CHK RZ	10MAR2020		
TOLERANCES UNLESS OTHERWISE SPECIFIED:		APVD RS	10MAR2020	NAME 4.3-10 STRAIGHT JACK FOR RG141 CABLE SOLDER TYPE, 4 HOLES SQUARE FLANGE	
		PRODUCT SPEC 108-115175		RESTRICTED TO	
MATERIAL SEE TABLE		APPLICATION SPEC 408-160017		SIZE A3	CAGE CODE 00779
FINISH SEE TABLE		WEIGHT 41g		DRAWING NO C-2081973	
-		CUSTOMER DRAWING		SCALE 1:1	SHEET 2 OF 2
-		-		REV A	