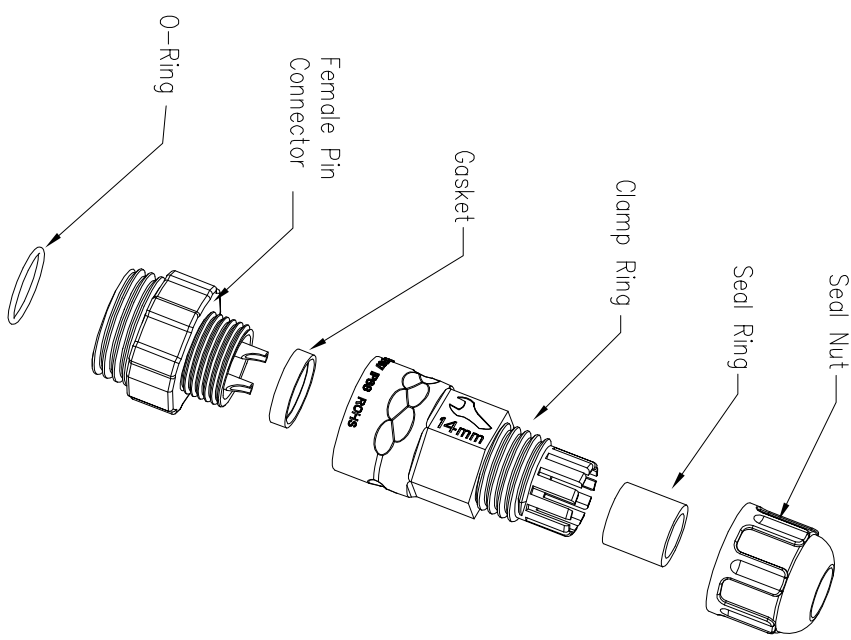
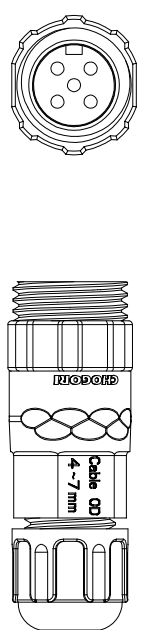
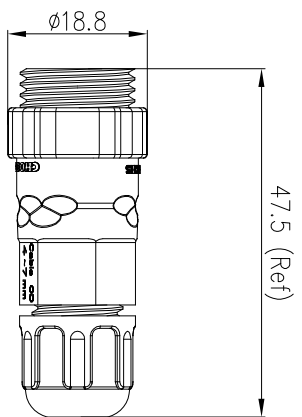
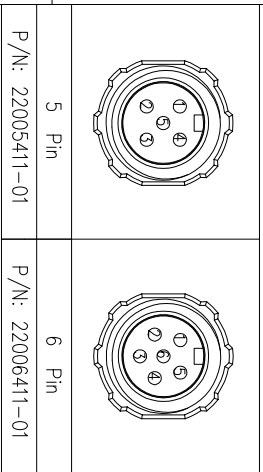


REV.	EN. NO.	DESCRIPTION	SIGN	DATE
C1	N/A	INITIAL DRAWING	Liu	2019/08/13



- Specification:
- 1.Operation Temperature: -45°C~105°C.
 - 2.Insulation Resistance: 100MΩ at DC500V.
 - 3.Contact Resistance: <10mΩ
 - 4.Withstand Voltage: 1300V AC
 - 5.Operating Current: 5A
 - 6.Operating Voltage: AC 60V
 7. Waterproof Rate: IP67 (Mated)
 8. Seal Nut: Nylon, Black
 9. Seal Ring: Silicon, Black
 10. Clamp Ring: Nylon, Black
 11. Gasket: Silicon, Red
 12. Female Pin: Copper Alloy, Gold Plated
 13. Connector: Nylon+GF, Black
 14. O-Ring: Silicon, Red
 15. RoHS Compliant.
 16. UL Compliant.
 17. Cable Range OD: φ3.5mm~φ6.8mm
 18. Mating Cap: 806-00060-01



22XXXX411-01

Pin Number

5 Pin

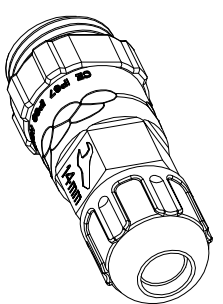
6 Pin

P/N: 22005411-01

P/N: 22006411-01

Pin Assignments Front View

UNIT: mm	DESCRIPTION
TOLERANCE X .XX .XXX ANGLES	Standard Series Screw Female Plug With Female Pin
±0.25 ±0.15 ±0.05 ±1°	SCALE: 1:1
	REV: C1
	SIZE: A4
	SHEET: 1 OF 1
	* : Inspection Item



CHOGORI

PART NO	DRAWN BY	DATE
22XXXX411-01	Liu	2019/08/13
DWG NO	CHECKED BY	DATE
	Mo	2019/08/13
CUSTOMER	APPROVED BY	DATE
	Pamson	2019/08/13